

# Umatilla High School

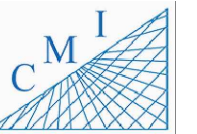


## INDEX OF DRAWINGS

SHT. NO.	DESCRIPTION
SP-01	AERIAL
SP-02	SITE PLAN
B-01	BUILDING 03,08
B-02	BUILDING 04
B-03	BUILDING 11
B-04	BUILDING 13,15
B-05	BUILDING 16
B-06	BUILDING 19,21
B-07.1	BUILDING 23 FIRST FLOOR
B-07.2	BUILDING 23 SECOND FLOOR
B-08.1	BUILDING 24 FIRST FLOOR
B-08.2	BUILDING 24 SECOND FLOOR
B-09	BUILDING 25,26
B-10	BUILDING 27
B-11	BUILDING 28

REV	DATE	DESCRIPTION
A	02/01/21	PRELIMINARY FISH PLAN
B		
0		
1		
2		
3		
4		
5		
6		

ARCHIS PROJECT NO.:	
DRAWN BY: YP	CHECKED BY: SH



158 Terra Mango Loop, Suite B,  
Orlando, FL 32835  
Main: (407) 293-4168

PREPARED BY:



350 E. Crown Point Road, Suite 1100  
Winter Garden, FL 34787  
Main: 888.324.2557  
Direct: 407.439.1594

DATE

, PE

FL PROFESSIONAL ENGINEER LIC. #

**Umatilla High School  
School  
(FISH PLAN)**

320 N Trowell Ave,  
Umatilla, FL

SHEET DESCRIPTION

**AERIAL VIEW**

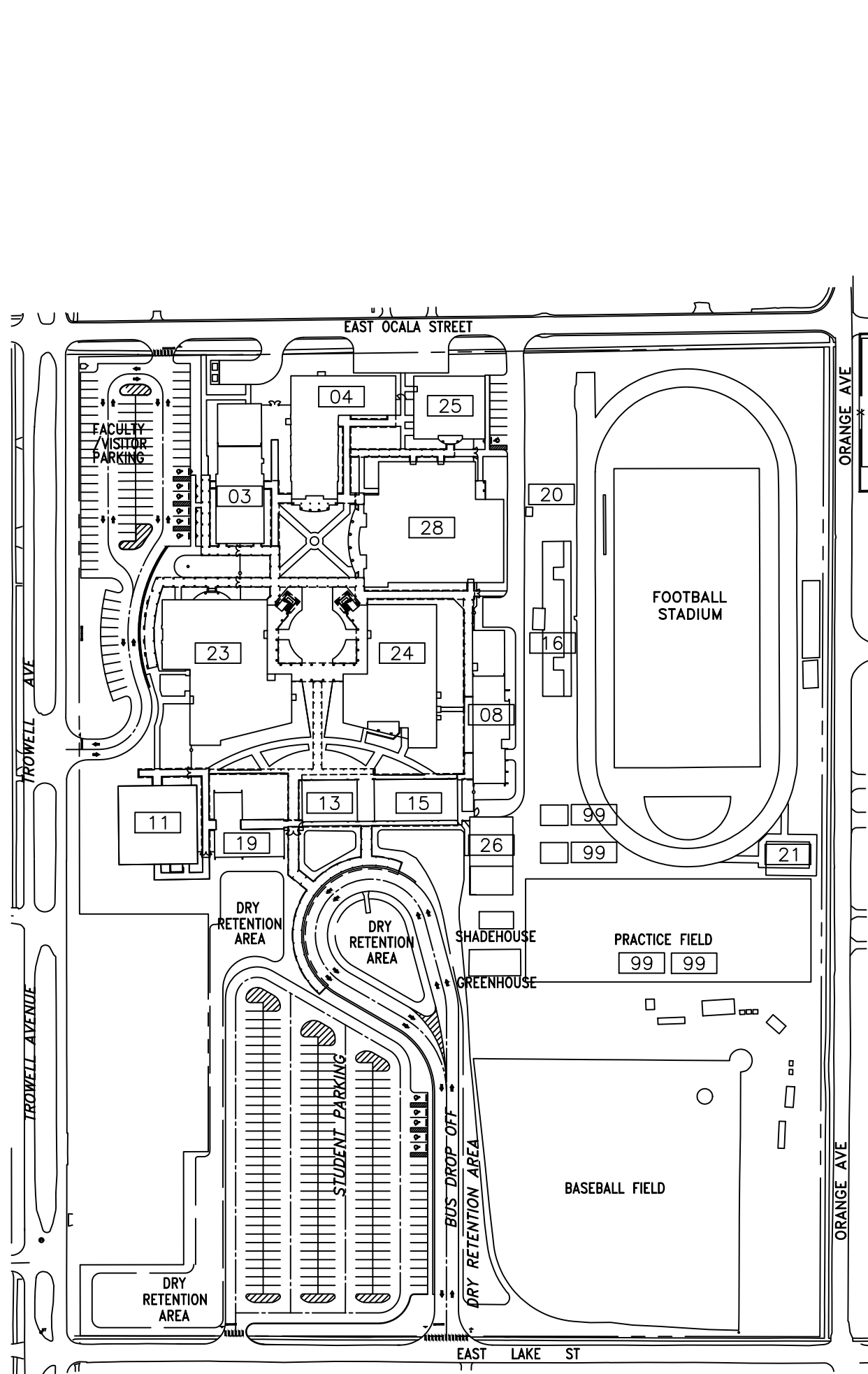
SHEET NUMBER

**SP-01**

**1**  
SP-01 **AERIAL VIEW**  
SCALE: N.T.S.



ARCHIS TECHNOLOGIES - C:\Users\Pier\Desktop\Archis\Projects\CM\Umatilla HS\CAD\896\_Lake County\_Fish\_Suvery\_Umatilla HS\CADD.dwg February 5, 2021 12:14:07 PM Pier



## LEGEND

- 03-CAFETERIA
- 04-AUDITORIUM/MUSIC
- 08-ART CLASSROOM
- 11-MEDIA CENTER
- 13-CLASSROOM
- 15-CLASSROOM
- 16-BLEACHER
- 19-CLASSROOM
- 20-TICKET BOOTH
- 21-CONCESSION
- 23-ADMINISTRATION/CLASSROOM
- 24-CLASSROOM
- 25-CULINARY ARTS
- 26-CHILLER
- 27-SCOREKEEPER
- 28-GYMNASIUM
- 99-PORTABLES

**1 OVERALL SITE PLAN**  
 SP-02 SCALE: 1:64

REV	DATE	DESCRIPTION
A	02/01/21	PRELIMINARY FISH PLAN
B		
0		
1		
2		
3		
4		
5		
6		

ARCHIS PROJECT NO.:  
 DRAWN BY: YP  
 CHECKED BY: SH



**CM I**  
 158 Terra Mango Loop, Suite B,  
 Orlando, FL 32835  
 Main: (407) 293-4168

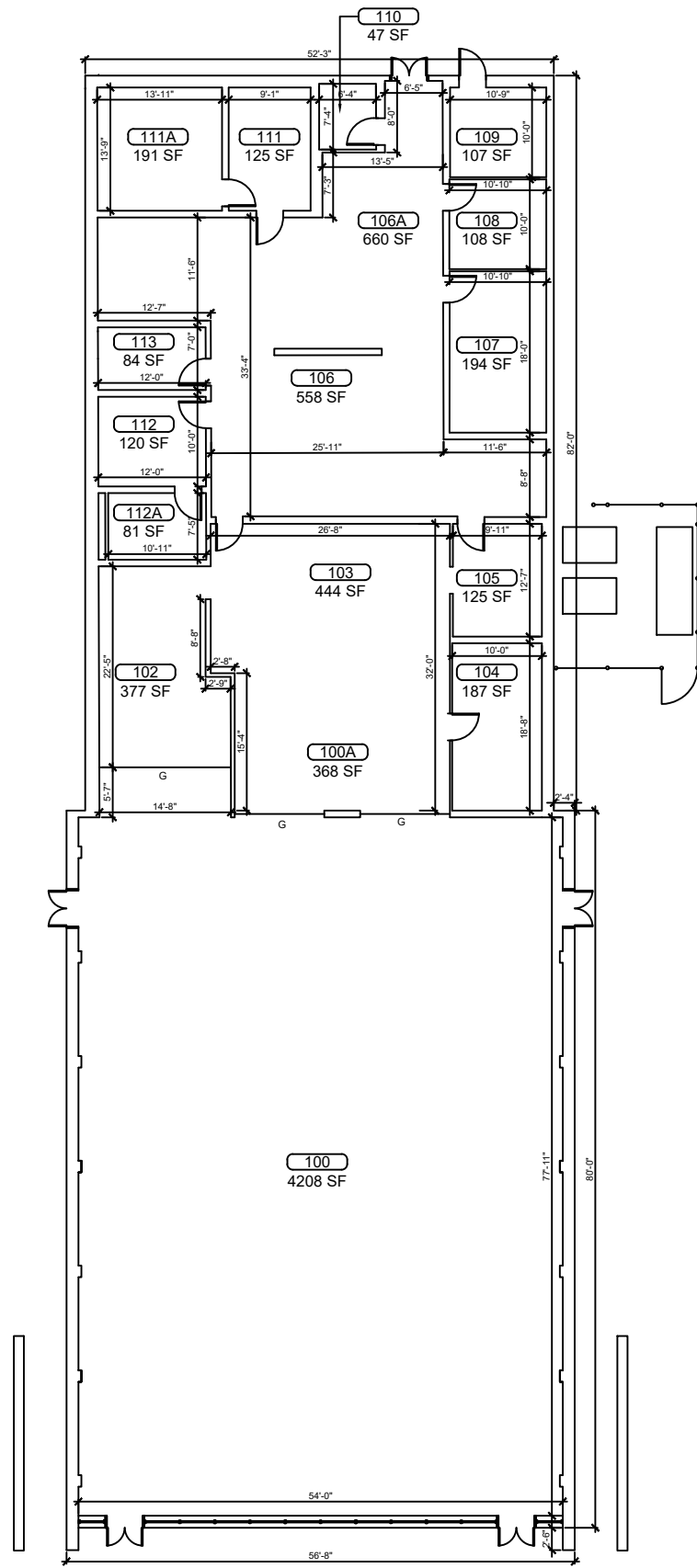
PREPARED BY:  
**ARCHIS**  
 350 E. Crown Point Road, Suite 1100  
 Winter Garden, FL 34787  
 Main: 888.324.2557  
 Direct: 407.439.1594

DATE  
 , PE  
 FL PROFESSIONAL ENGINEER LIC. #

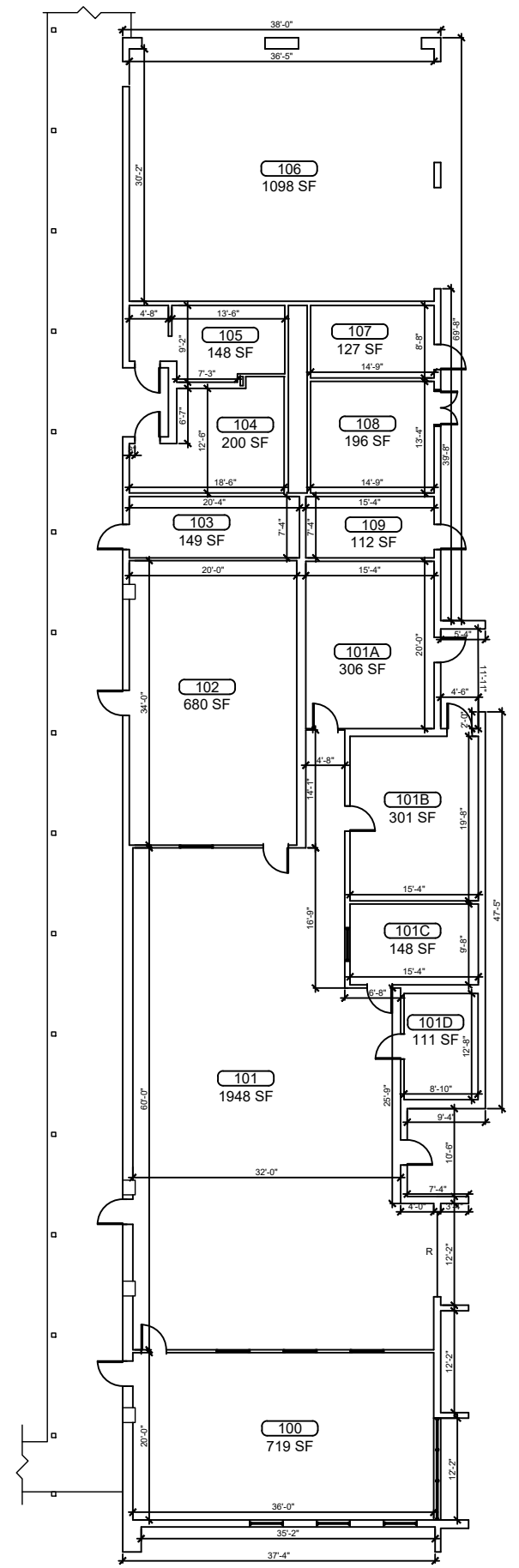
**Umatilla High School**  
**(FISH PLAN)**  
 320 N Trowell Ave,  
 Umatilla, FL  
 SHEET DESCRIPTION  
**OVERALL SITE PLAN**

SHEET NUMBER  
**SP-02**

ARCHIS TECHNOLOGIES - C:\Users\Pier\Desktop\Archis\Projects\CM\Umatilla HS\CAD\896\_Lake County\_Fish\_Suvery\_Umatilla HS\CADD.dwg February 5, 2021 12:14:08 PM Pier



**1 BUILDING 03 FLOOR PLAN**  
B-01 SCALE: 1/8"=1'-0"



**2 BUILDING 08 FLOOR PLAN**  
B-01 SCALE: 1/8"=1'-0"

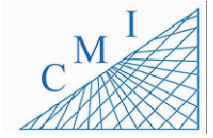


**KEY PLAN**



REV	DATE	DESCRIPTION
A	02/01/21	PRELIMINARY FISH PLAN
B		
0		
1		
2		
3		
4		
5		
6		

ARCHIS PROJECT NO.:  
DRAWN BY: YP CHECKED BY: SH



158 Terra Mango Loop, Suite B,  
Orlando, FL 32835  
Main: (407) 293-4168

PREPARED BY:  
**ARCHIS**

350 E. Crown Point Road, Suite 1100  
Winter Garden, FL 34787  
Main: 888.324.2557  
Direct: 407.439.1594

DATE  
, PE  
FL PROFESSIONAL ENGINEER LIC. #

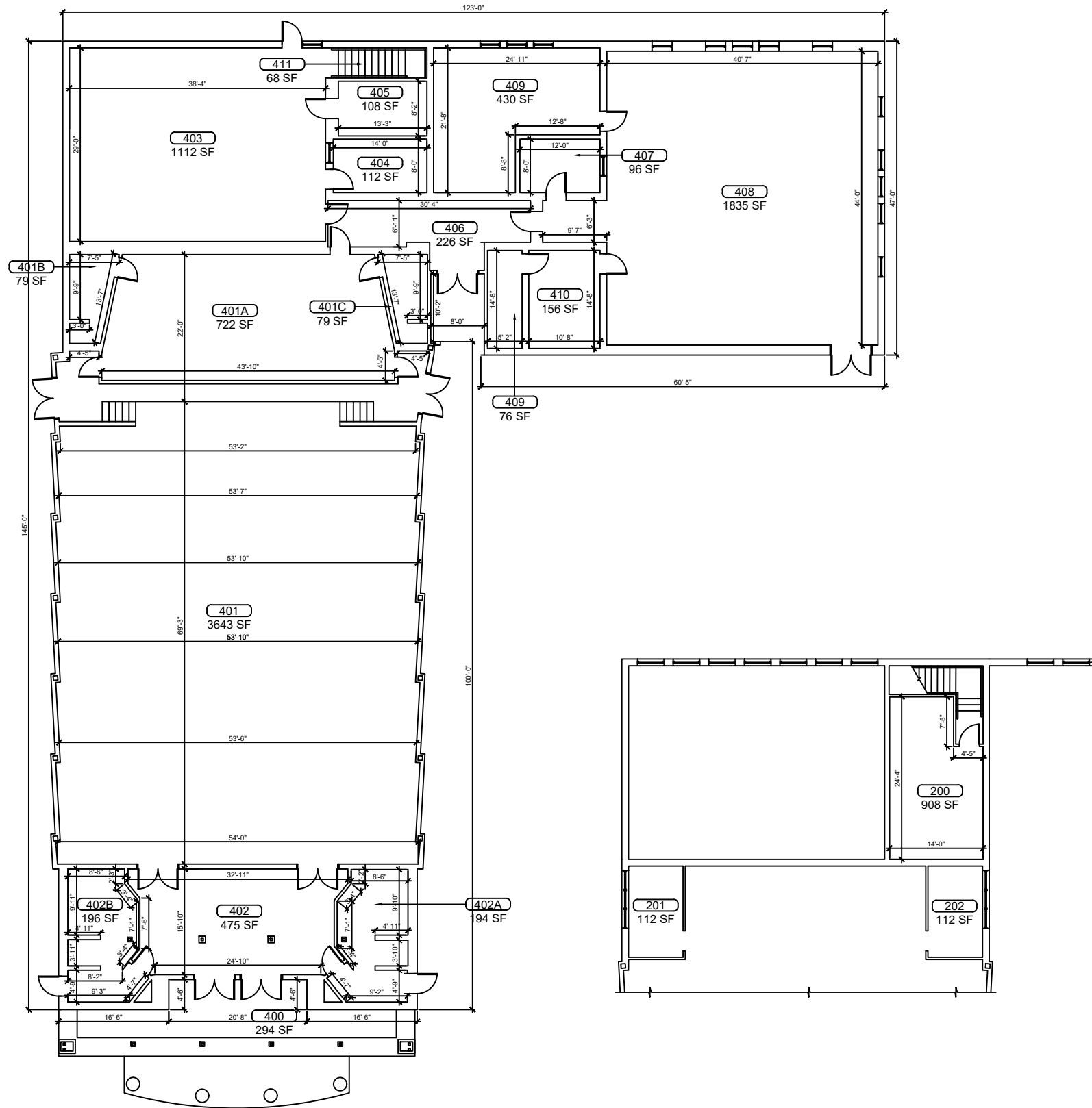
**Umatilla High School (FISH PLAN)**

320 N Trowell Ave,  
Umatilla, FL

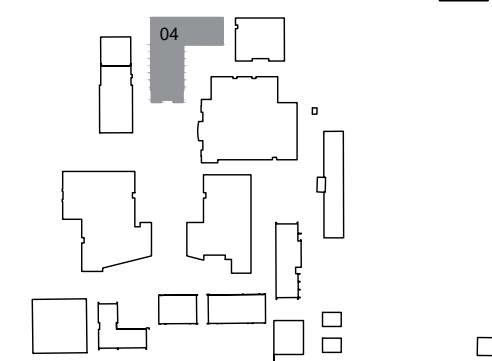
SHEET DESCRIPTION  
**BUILDING 03 & 08**

SHEET NUMBER  
**B-01**

ARCHIS TECHNOLOGIES - C:\Users\Pier\Desktop\Archis\Projects\CM\Umatilla HS\CAD\896\_Lake County\_Fish\_Suvery\_Umatilla HS\CAD.dwg February 5, 2021 12:14:09 PM Pier



**1 BUILDING 04 FLOOR PLAN**  
**B-02 SCALE: 1/8"=1'-0"**



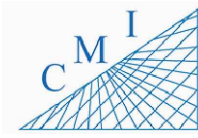
**KEY PLAN**



REV	DATE	DESCRIPTION
A	02/01/21	PRELIMINARY FISH PLAN
B		
0		
1		
2		
3		
4		
5		
6		

ARCHIS PROJECT NO.:

DRAWN BY:	CHECKED BY:
YP	SH



158 Terra Mango Loop, Suite B,  
 Orlando, FL 32835  
 Main: (407) 293-4168

PREPARED BY:

**ARCHIS**

350 E. Crown Point Road, Suite 1100  
 Winter Garden, FL 34787  
 Main: 888.324.2557  
 Direct: 407.439.1594

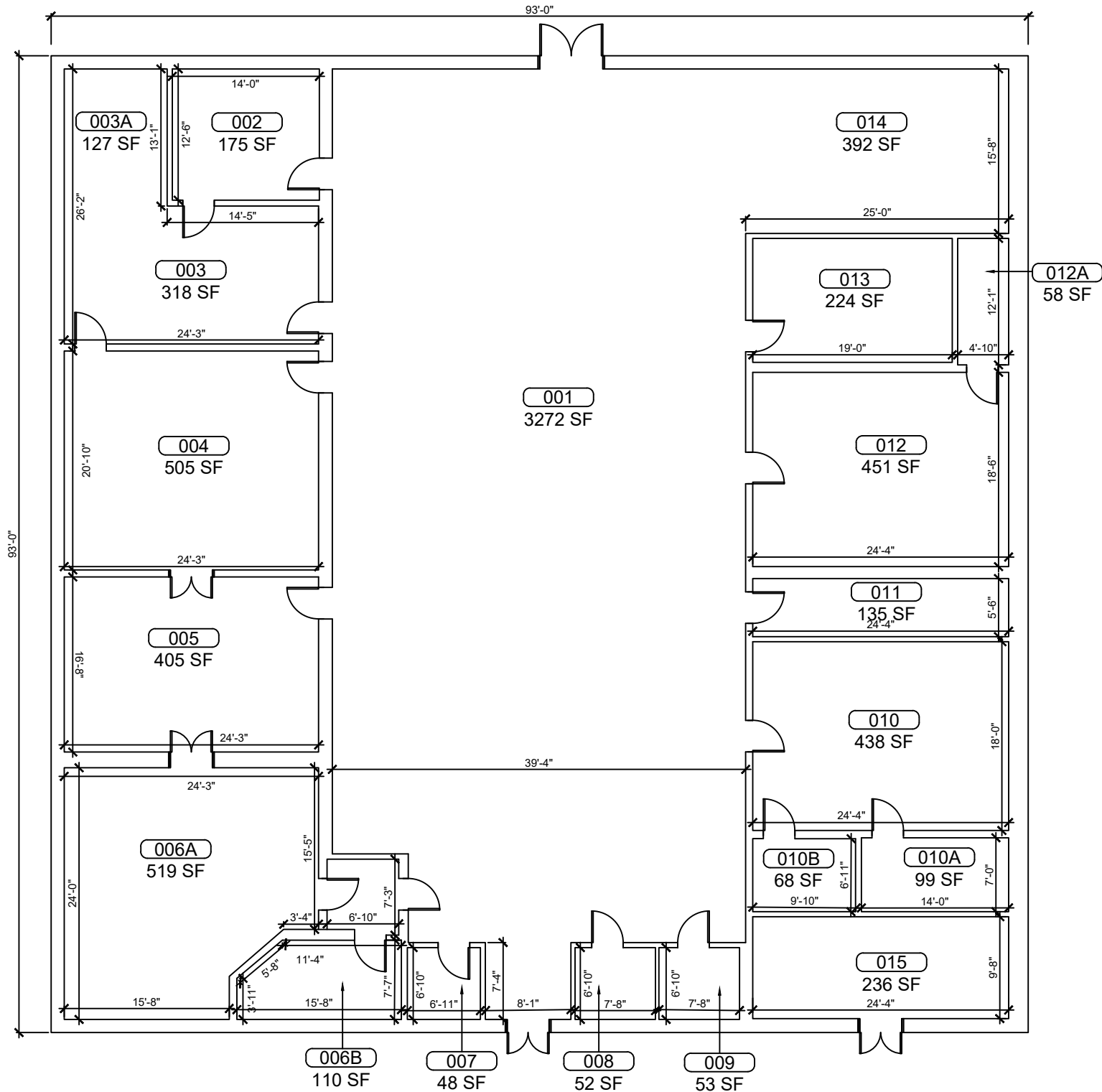
**DATE**  
 , PE  
 FL PROFESSIONAL ENGINEER LIC. #

**Umatilla High School**  
**(FISH PLAN)**  
 320 N Trowell Ave,  
 Umatilla, FL  
 SHEET DESCRIPTION

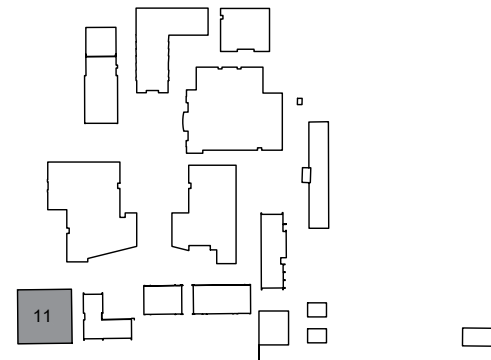
**BUILDING 04**

SHEET NUMBER  
**B-02**

ARCHIS TECHNOLOGIES - C:\Users\Pier\Desktop\Archis\Projects\CM\Umatilla HS\CAD\896\_Lake County\_Fish\_Suvery\_Umatilla HS\CAD\896\_Lake County\_Fish\_Suvery\_Umatilla HS CADD.dwg February 5, 2021 12:14:09 PM Pier



**1**  
**BUILDING 11 FLOOR PLAN**  
 8-03 SCALE: 3/16"=1'-0"



**KEY PLAN**



REV	DATE	DESCRIPTION
A	02/01/21	PRELIMINARY FISH PLAN
B		
0		
1		
2		
3		
4		
5		
6		

ARCHIS PROJECT NO.:  
 DRAWN BY: YP  
 CHECKED BY: SH



**CM I**  
 158 Terra Mango Loop, Suite B,  
 Orlando, FL 32835  
 Main: (407) 293-4168

PREPARED BY:  
**ARCHIS**  
 350 E. Crown Point Road, Suite 1100  
 Winter Garden, FL 34787  
 Main: 888.324.2557  
 Direct: 407.439.1594

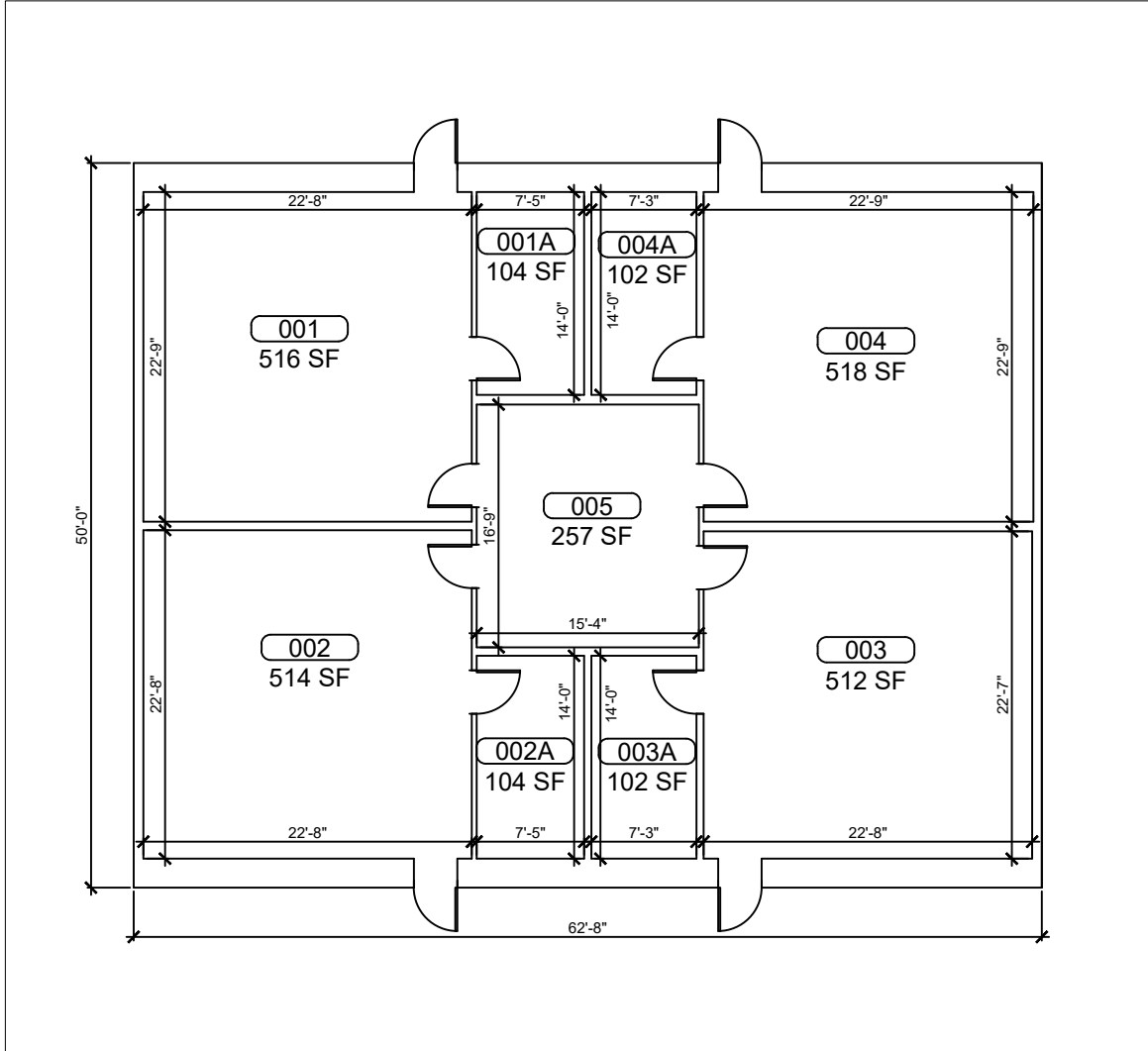
**DATE**  
 , PE  
 FL PROFESSIONAL ENGINEER LIC. #

**Umatilla High School**  
**(FISH PLAN)**  
 320 N Trowell Ave,  
 Umatilla, FL

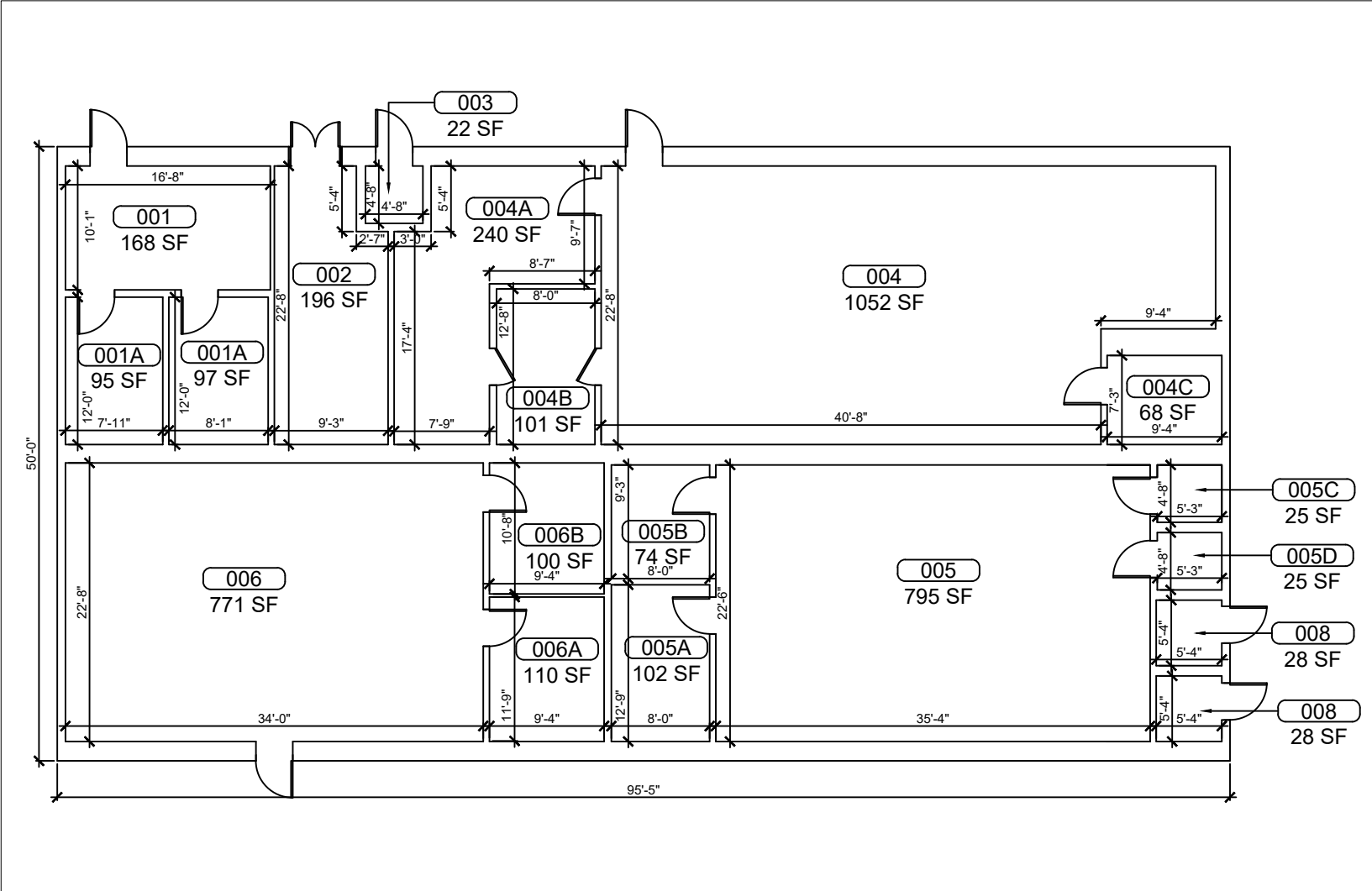
SHEET DESCRIPTION  
**BUILDING 11**

SHEET NUMBER  
**B-03**

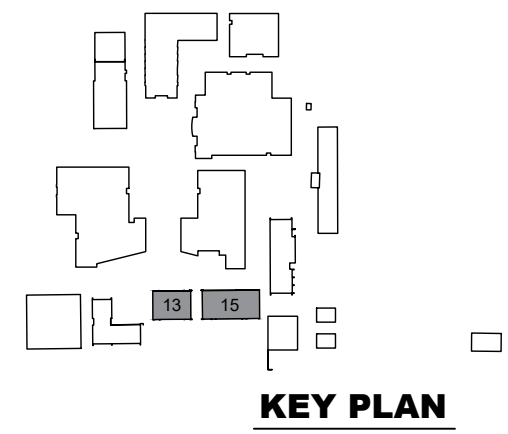
ARCHIS TECHNOLOGIES - C:\Users\Pier\Desktop\Archis\Projects\CM\Umatilla HS\CAD\896\_Lake County\_Fish\_Suvery\_Umatilla HS\CADD.dwg February 5, 2021 12:14:10 PM Pier



**1 BUILDING 13 FLOOR PLAN**  
 B-04 SCALE: 3/16"=1'-0"



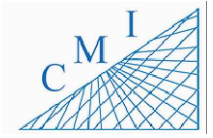
**2 BUILDING 15 FLOOR PLAN**  
 B-04 SCALE: 3/16"=1'-0"



**KEY PLAN**

REV	DATE	DESCRIPTION
A	02/01/21	PRELIMINARY FISH PLAN
B		
0		
1		
2		
3		
4		
5		
6		

ARCHIS PROJECT NO.:  
 DRAWN BY: YP  
 CHECKED BY: SH



158 Terra Mango Loop, Suite B,  
 Orlando, FL 32835  
 Main: (407) 293-4168

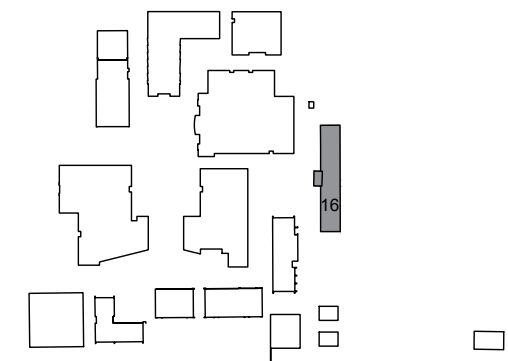
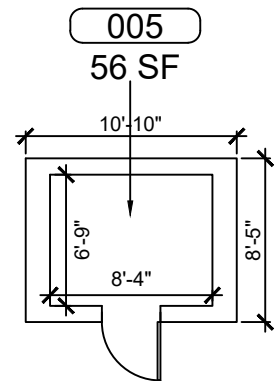
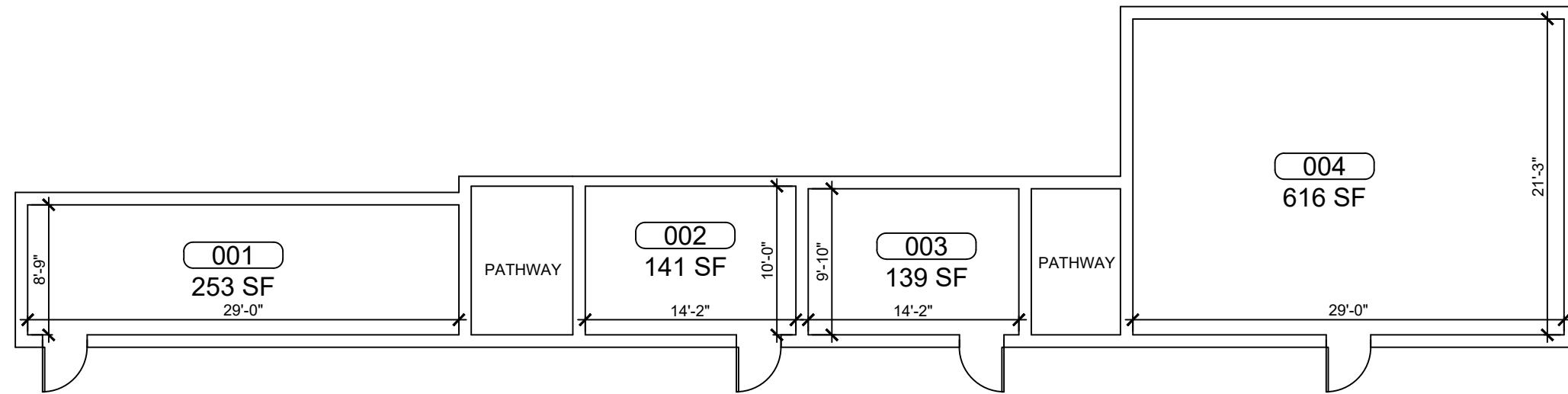
PREPARED BY:  
**ARCHIS**  
 350 E. Crown Point Road, Suite 1100  
 Winter Garden, FL 34787  
 Main: 888.324.2557  
 Direct: 407.439.1594

DATE  
 , PE  
 FL PROFESSIONAL ENGINEER LIC. #

**Umatilla High School**  
**(FISH PLAN)**  
 320 N Trowell Ave,  
 Umatilla, FL  
 SHEET DESCRIPTION  
**BUILDING 13 & 15**

SHEET NUMBER  
**B-04**

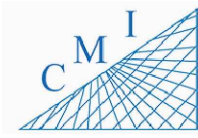
ARCHIS TECHNOLOGIES - C:\Users\Pier\Desktop\Archis\Projects\CM\Umatilla HS\CAD\896\_Lake County\_Fish\_Suvery\_Umatilla HS CADD.dwg February 5, 2021 12:14:10 PM Pier



**BUILDING 16 FLOOR PLAN**  
 SCALE: 1/4" = 1'-0"

REV	DATE	DESCRIPTION
A	02/01/21	PRELIMINARY FISH PLAN
B		
0		
1		
2		
3		
4		
5		
6		

ARCHIS PROJECT NO.:  
 DRAWN BY: YP  
 CHECKED BY: SH



158 Terra Mango Loop, Suite B,  
 Orlando, FL 32835  
 Main: (407) 293-4168

PREPARED BY:  
**ARCHIS**  
 350 E. Crown Point Road, Suite 1100  
 Winter Garden, FL 34787  
 Main: 888.324.2557  
 Direct: 407.439.1594

DATE  
 , PE  
 FL PROFESSIONAL ENGINEER LIC. #

**Umatilla High School**  
**(FISH PLAN)**

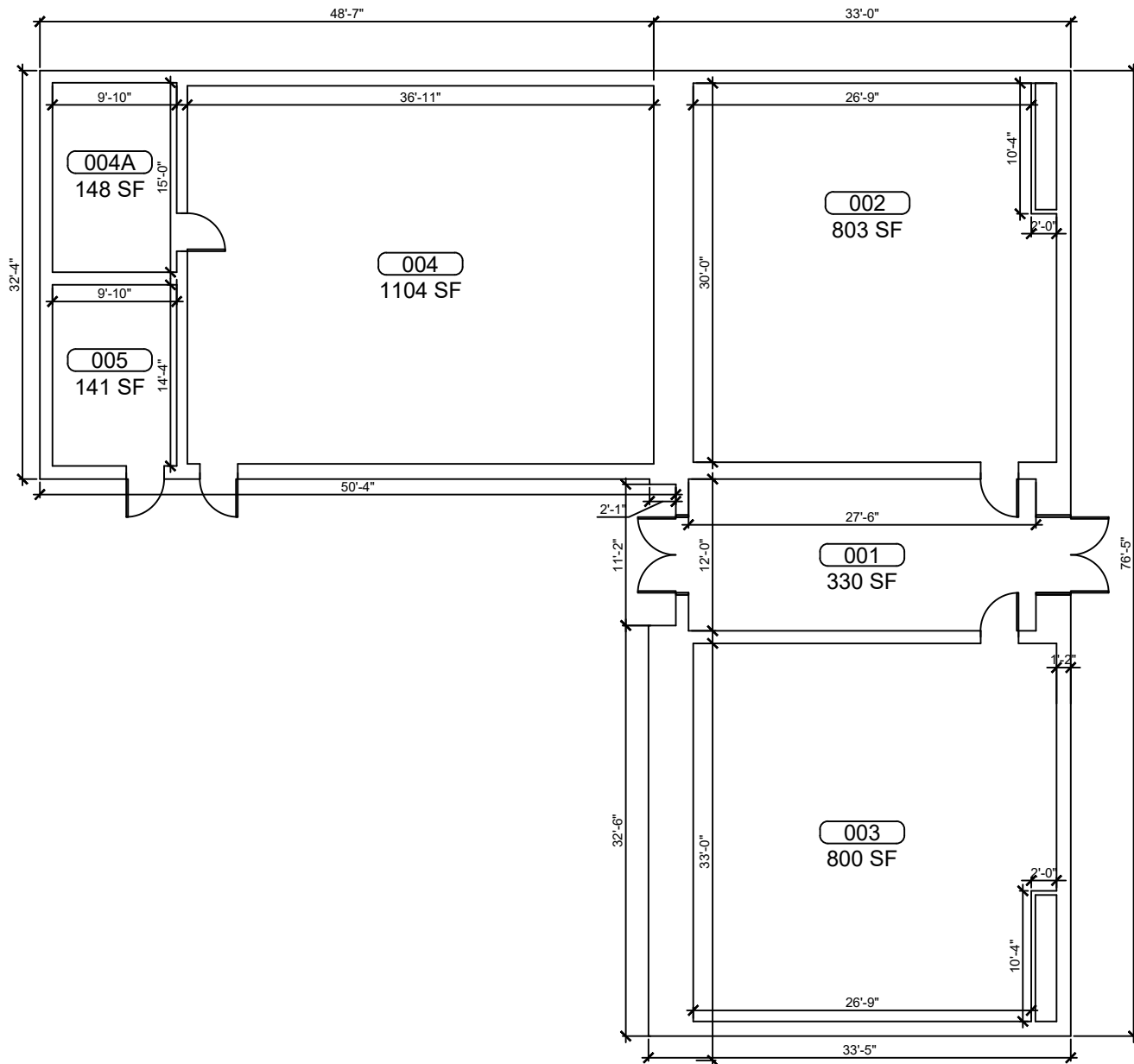
320 N Trowell Ave,  
 Umatilla, FL

SHEET DESCRIPTION  
**BUILDING 16**

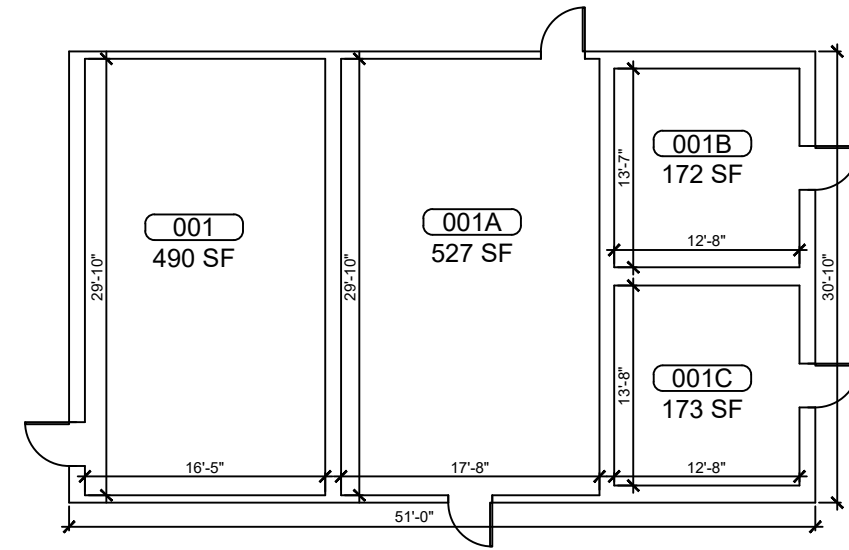
SHEET NUMBER  
**B-05**

**KEY PLAN**

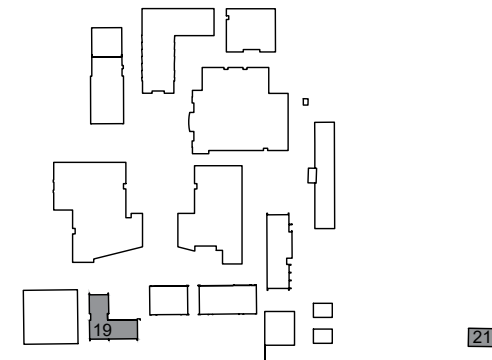
ARCHIS TECHNOLOGIES - C:\Users\Pier\Desktop\Archis\Projects\CM\Umatilla HS\CAD\896\_Lake County\Projects\CM\Umatilla HS\CAD\896\_Lake County\_Fish\_Survey\_Umatilla HS CADD.dwg February 5, 2021 12:14:11 PM Pier



**1 BUILDING 19 FLOOR PLAN**  
 B-06 SCALE: 3/16" = 1'-0"



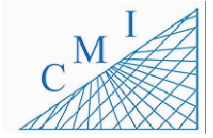
**2 BUILDING 21 FLOOR PLAN**  
 B-06 SCALE: 3/16" = 1'-0"



**KEY PLAN**

REV	DATE	DESCRIPTION
A	02/01/21	PRELIMINARY FISH PLAN
B		
0		
1		
2		
3		
4		
5		
6		

ARCHIS PROJECT NO.:  
 DRAWN BY: YP  
 CHECKED BY: SH



158 Terra Mango Loop, Suite B,  
 Orlando, FL 32835  
 Main: (407) 293-4168

PREPARED BY:  
**ARCHIS**  
 350 E. Crown Point Road, Suite 1100  
 Winter Garden, FL 34787  
 Main: 888.324.2557  
 Direct: 407.439.1594

DATE  
 , PE  
 FL PROFESSIONAL ENGINEER LIC. #

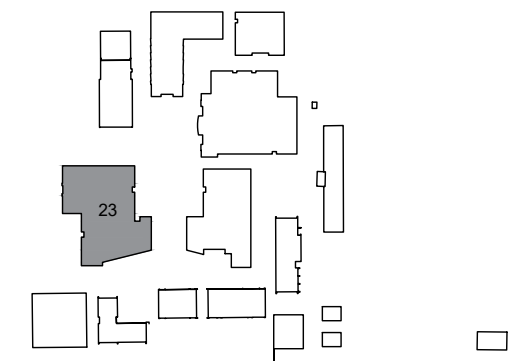
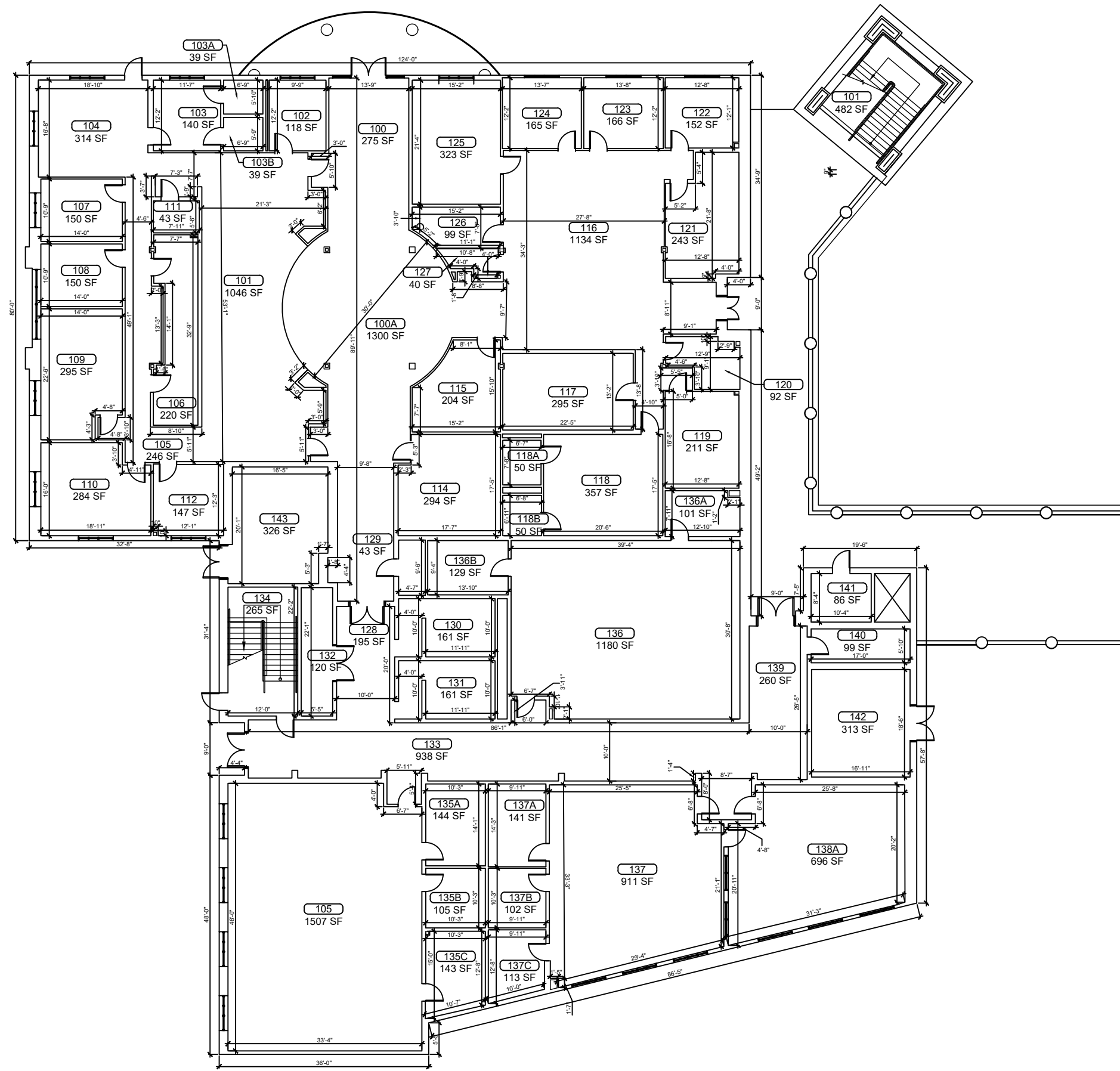
**Umatilla High School**  
**(FISH PLAN)**  
 320 N Trowell Ave,  
 Umatilla, FL

SHEET DESCRIPTION  
**BUILDING 19 & 21**

SHEET NUMBER  
**B-06**



ARCHIS TECHNOLOGIES - C:\Users\Pier\Desktop\Archis\Projects\CM\Umatilla HS\CAD\896\_Lake County\_Fish\_Suvery\_Umatilla HS\CAD.dwg February 5, 2021 12:14:12 PM Pier



**1 BUILDING 23 FIRST FLOOR PLAN**  
 8-07.1 SCALE: 1/8" = 1'-0"

**KEY PLAN**

REV	DATE	DESCRIPTION
A	02/01/21	PRELIMINARY FISH PLAN
B		
0		
1		
2		
3		
4		
5		
6		

ARCHIS PROJECT NO.:  
 DRAWN BY: YP  
 CHECKED BY: SH



**CM I**  
 158 Terra Mango Loop, Suite B,  
 Orlando, FL 32835  
 Main: (407) 293-4168

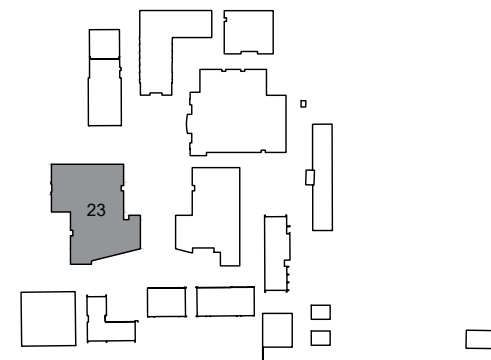
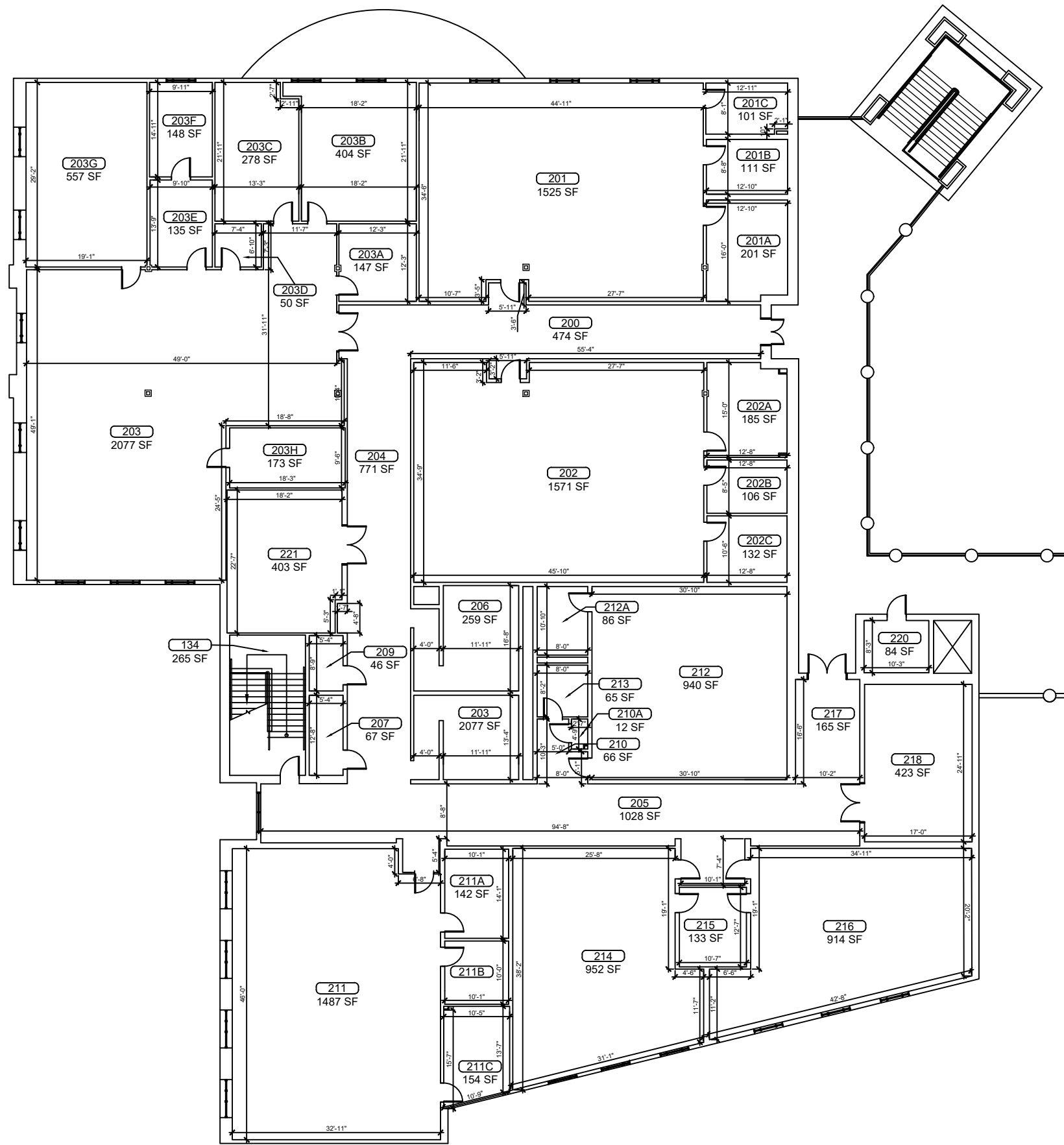
PREPARED BY:  
**ARCHIS**  
 350 E. Crown Point Road, Suite 1100  
 Winter Garden, FL 34787  
 Main: 888.324.2557  
 Direct: 407.439.1594

DATE  
 , PE  
 FL PROFESSIONAL ENGINEER LIC. #

**Umatilla High School**  
**(FISH PLAN)**  
 320 N Trowell Ave,  
 Umatilla, FL  
 SHEET DESCRIPTION

**BUILDING 23**  
 SHEET NUMBER  
**B-07.1**

ARCHIS TECHNOLOGIES - C:\Users\Pier\Desktop\Archis\Projects\CM\Umatilla HS\CAD\896\_Lake County\_Fish\_Suvery\_Umatilla HS\CADD.dwg February 5, 2021 12:14:12 PM Pier



**1**  
**BUILDING 23 SECOND FLOOR PLAN**  
 SCALE: 1/8" = 1'-0"

REV	DATE	DESCRIPTION
A	02/01/21	PRELIMINARY FISH PLAN
B		
0		
1		
2		
3		
4		
5		
6		

ARCHIS PROJECT NO.:  
 DRAWN BY: YP  
 CHECKED BY: SH



**CM I**  
 158 Terra Mango Loop, Suite B,  
 Orlando, FL 32835  
 Main: (407) 293-4168

PREPARED BY:  
**ARCHIS**  
 350 E. Crown Point Road, Suite 1100  
 Winter Garden, FL 34787  
 Main: 888.324.2557  
 Direct: 407.439.1594

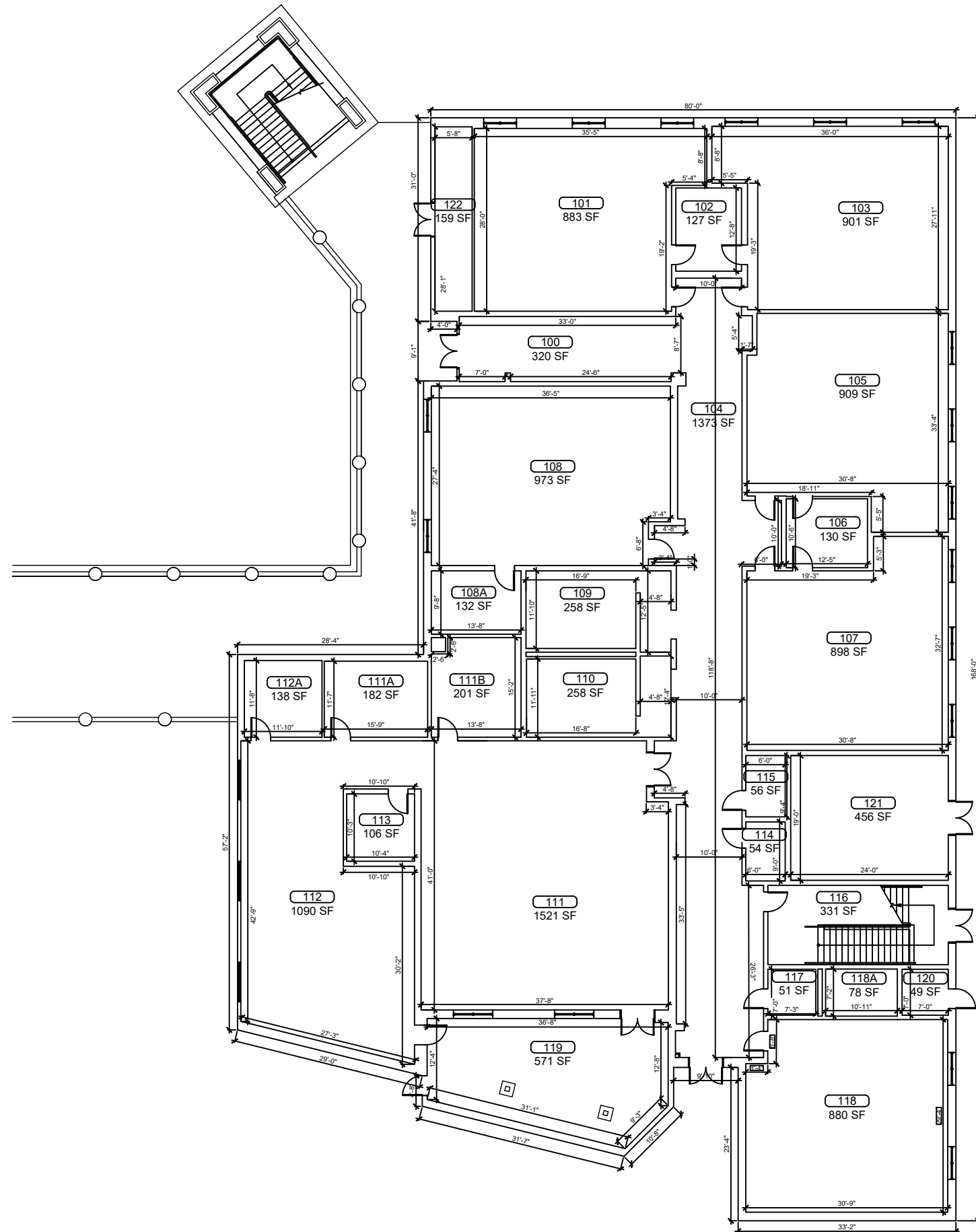
DATE  
 , PE  
 FL PROFESSIONAL ENGINEER LIC. #

**Umatilla High School**  
**(FISH PLAN)**  
 320 N Trowell Ave,  
 Umatilla, FL  
 SHEET DESCRIPTION

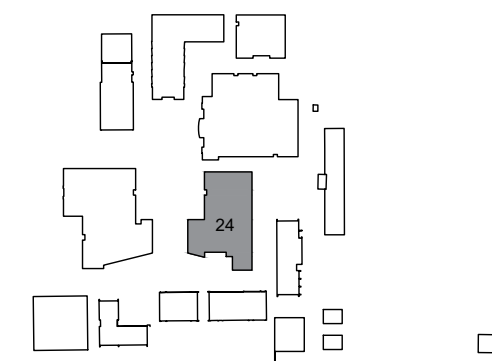
**BUILDING 23**  
 SHEET NUMBER  
**B-07.2**

**KEY PLAN**

ARCHIS TECHNOLOGIES - C:\Users\Pier\Desktop\Archis\Projects\CM\Umatilla HS\CAD\896\_Lake County\_Fish\_Suvery\_Umatilla HS\CAD.dwg February 5, 2021 12:14:13 PM Pier



**1 BUILDING 24 FIRST FLOOR PLAN**  
 B-08.1 SCALE: 1/8" = 1'-0"



**KEY PLAN**



REV	DATE	DESCRIPTION
A	02/01/21	PRELIMINARY FISH PLAN
B		
0		
1		
2		
3		
4		
5		
6		

ARCHIS PROJECT NO.:  
 DRAWN BY: YP  
 CHECKED BY: SH



**CM I**  
 158 Terra Mango Loop, Suite B,  
 Orlando, FL 32835  
 Main: (407) 293-4168

PREPARED BY:  
**ARCHIS**  
 350 E. Crown Point Road, Suite 1100  
 Winter Garden, FL 34787  
 Main: 888.324.2557  
 Direct: 407.439.1594

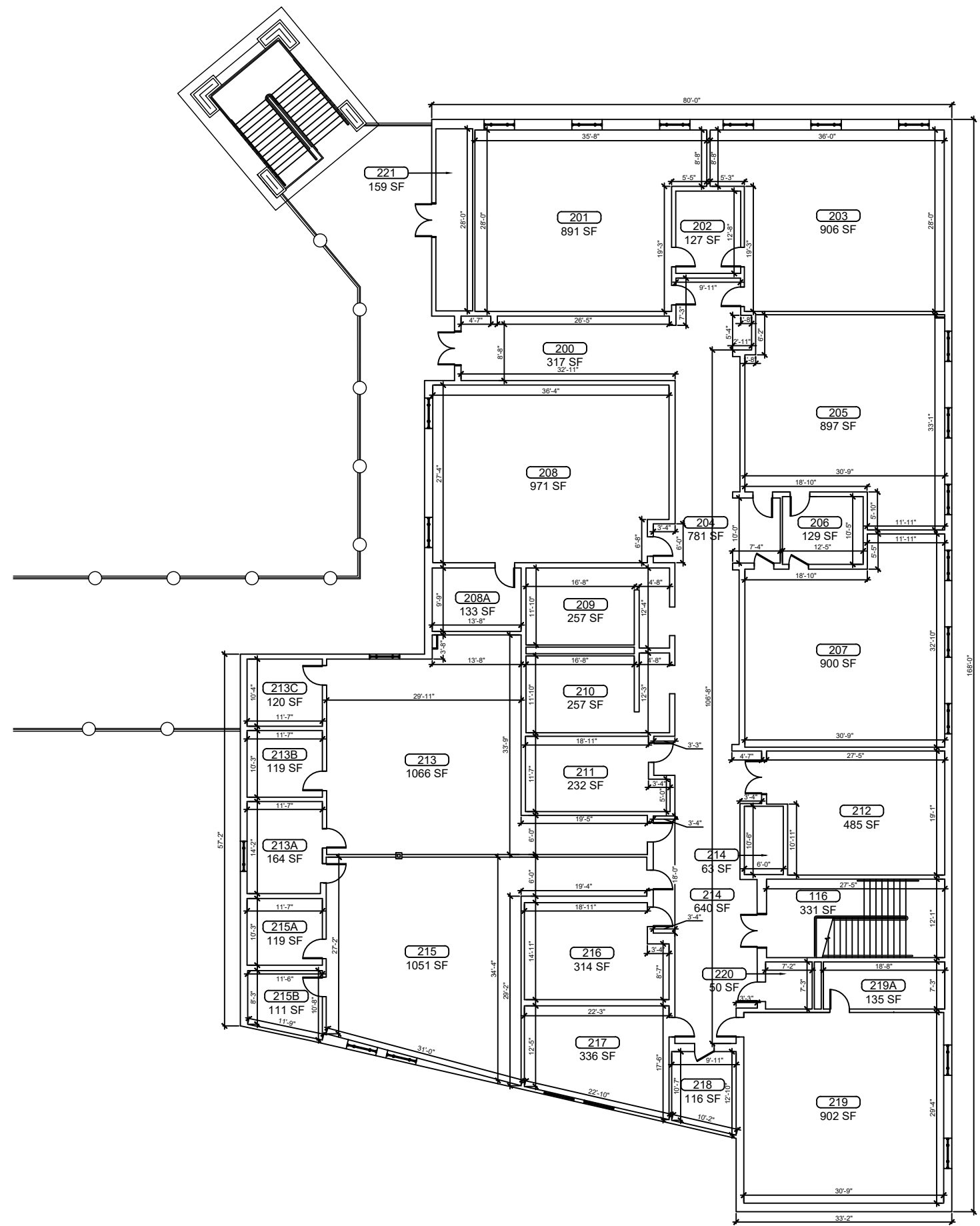
DATE  
 , PE  
 FL PROFESSIONAL ENGINEER LIC. #

**Umatilla High School**  
**(FISH PLAN)**  
 320 N Trowell Ave,  
 Umatilla, FL  
 SHEET DESCRIPTION

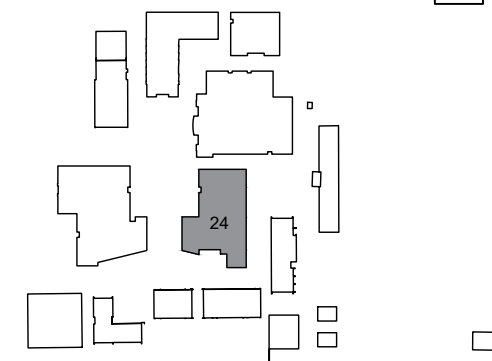
**BUILDING 24**

SHEET NUMBER  
**B-8.1**

ARCHIS TECHNOLOGIES - C:\Users\Pier\Desktop\Archis\CM\Umatilla HS\CAD\896\_Lake County\_Fish\_Suvery\_Umatilla HS\CADD.dwg February 5, 2021 12:14:14 PM Pier



**1 BUILDING 24 SECOND FLOOR PLAN**  
 B-08.2 SCALE: 1/8" = 1'-0"



**KEY PLAN**



REV	DATE	DESCRIPTION
A	02/01/21	PRELIMINARY FISH PLAN
B		
0		
1		
2		
3		
4		
5		
6		

ARCHIS PROJECT NO.:  
 DRAWN BY: YP  
 CHECKED BY: SH



**CM I**  
 158 Terra Mango Loop, Suite B,  
 Orlando, FL 32835  
 Main: (407) 293-4168

PREPARED BY:  
**ARCHIS**  
 350 E. Crown Point Road, Suite 1100  
 Winter Garden, FL 34787  
 Main: 888.324.2557  
 Direct: 407.439.1594

**DATE**  
 , PE  
 FL PROFESSIONAL ENGINEER LIC. #

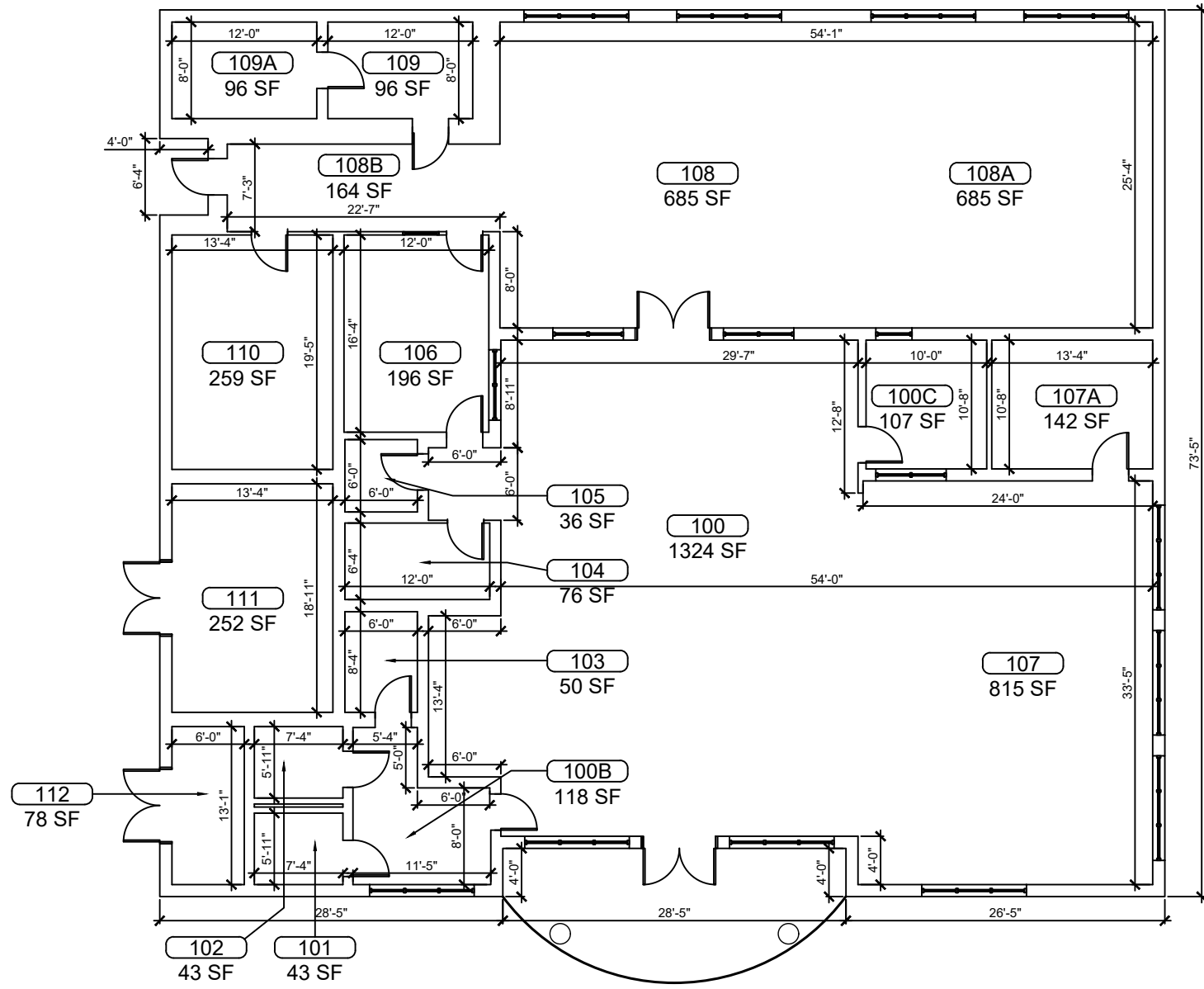
**Umatilla High School**  
**(FISH PLAN)**  
 320 N Trowell Ave,  
 Umatilla, FL  
 SHEET DESCRIPTION

**BUILDING 24**

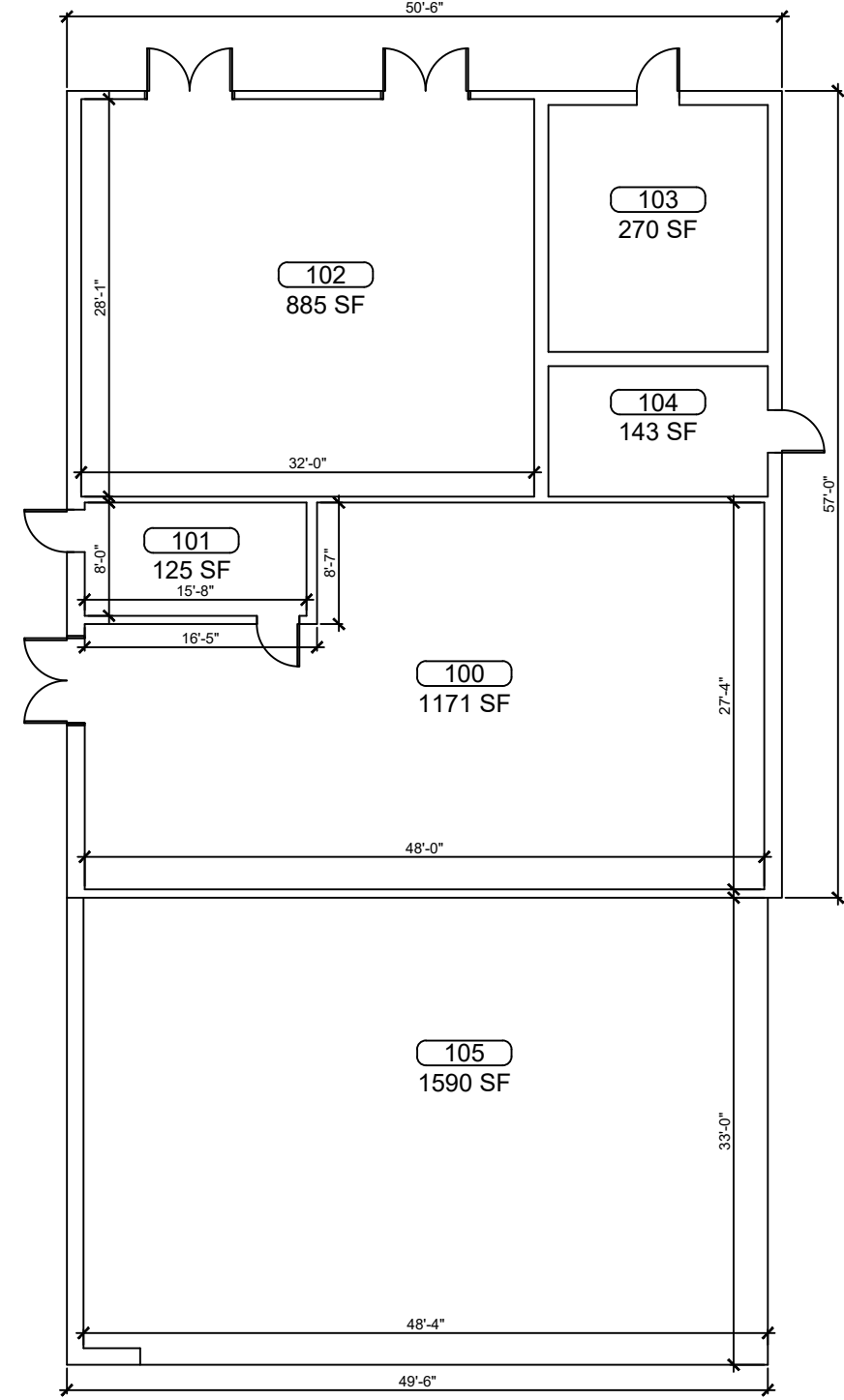
SHEET NUMBER  
**B-08.2**



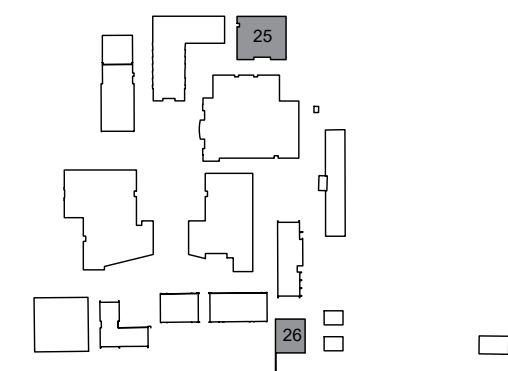
ARCHIS TECHNOLOGIES - C:\Users\Pier\Desktop\Archis\Projects\CM\Umatilla HS\CAD\896\_Lake County\_Fish\_Suvery\Umatilla HS CADD.dwg February 5, 2021 12:14:14 PM Pier



**1 BUILDING 25 FLOOR PLAN**  
SCALE: 3/16" = 1'-0"



**2 BUILDING 26 FLOOR PLAN**  
SCALE: 3/16" = 1'-0"



**KEY PLAN**



REV	DATE	DESCRIPTION
A	02/01/21	PRELIMINARY FISH PLAN
B		
0		
1		
2		
3		
4		
5		
6		

ARCHIS PROJECT NO.:  
DRAWN BY: YP  
CHECKED BY: SH



PREPARED BY:  
**ARCHIS**  
350 E. Crown Point Road, Suite 1100  
Winter Garden, FL 34787  
Main: 888.324.2557  
Direct: 407.439.1594

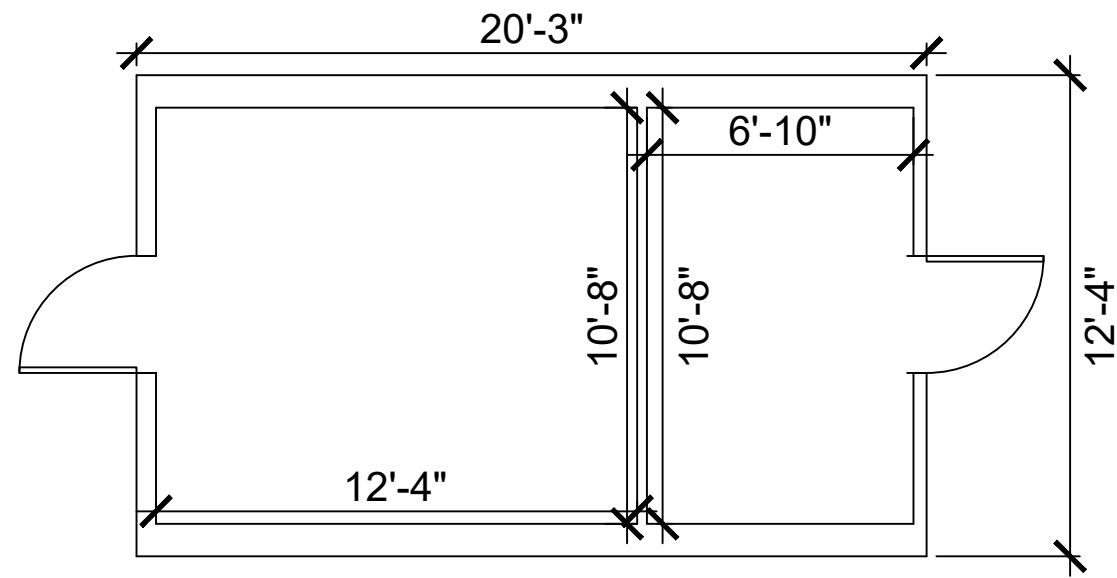
DATE  
, PE  
FL PROFESSIONAL ENGINEER LIC. #

**Umatilla High School (FISH PLAN)**  
320 N Trowell Ave,  
Umatilla, FL

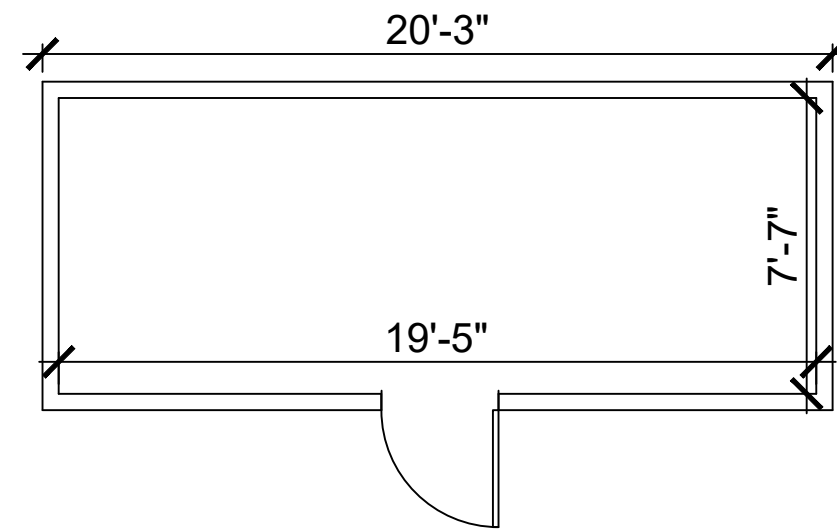
SHEET DESCRIPTION  
**BUILDING 25 & 26**

SHEET NUMBER  
**B-09**

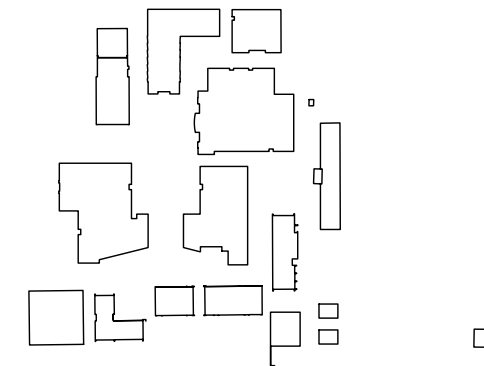
ARCHIS TECHNOLOGIES - C:\Users\Pier\Desktop\Archis\Projects\CM\Umatilla HS\CAD\896\_Lake County\_Fish\_Suvery\_Umatilla HS\CAD\896\_Lake County\_Fish\_Suvery\_Umatilla HS CADD.dwg February 5, 2021 12:14:15 PM Pier



**1**  
B-10 **BUILDING 27 FIRST FLOOR PLAN**  
SCALE: 1/2" = 1'-0"



**2**  
B-10 **BUILDING 27 SECOND FLOOR PLAN**  
SCALE: 1/2" = 1'-0"

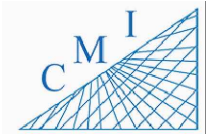


**KEY PLAN**



REV	DATE	DESCRIPTION
A	02/01/21	PRELIMINARY FISH PLAN
B		
0		
1		
2		
3		
4		
5		
6		

ARCHIS PROJECT NO.:  
DRAWN BY: YP      CHECKED BY: SH



158 Terra Mango Loop, Suite B,  
Orlando, FL 32835  
Main: (407) 293-4168

PREPARED BY:  
**ARCHIS**  
350 E. Crown Point Road, Suite 1100  
Winter Garden, FL 34787  
Main: 888.324.2557  
Direct: 407.439.1594

27

DATE  
, PE  
FL PROFESSIONAL ENGINEER LIC. #

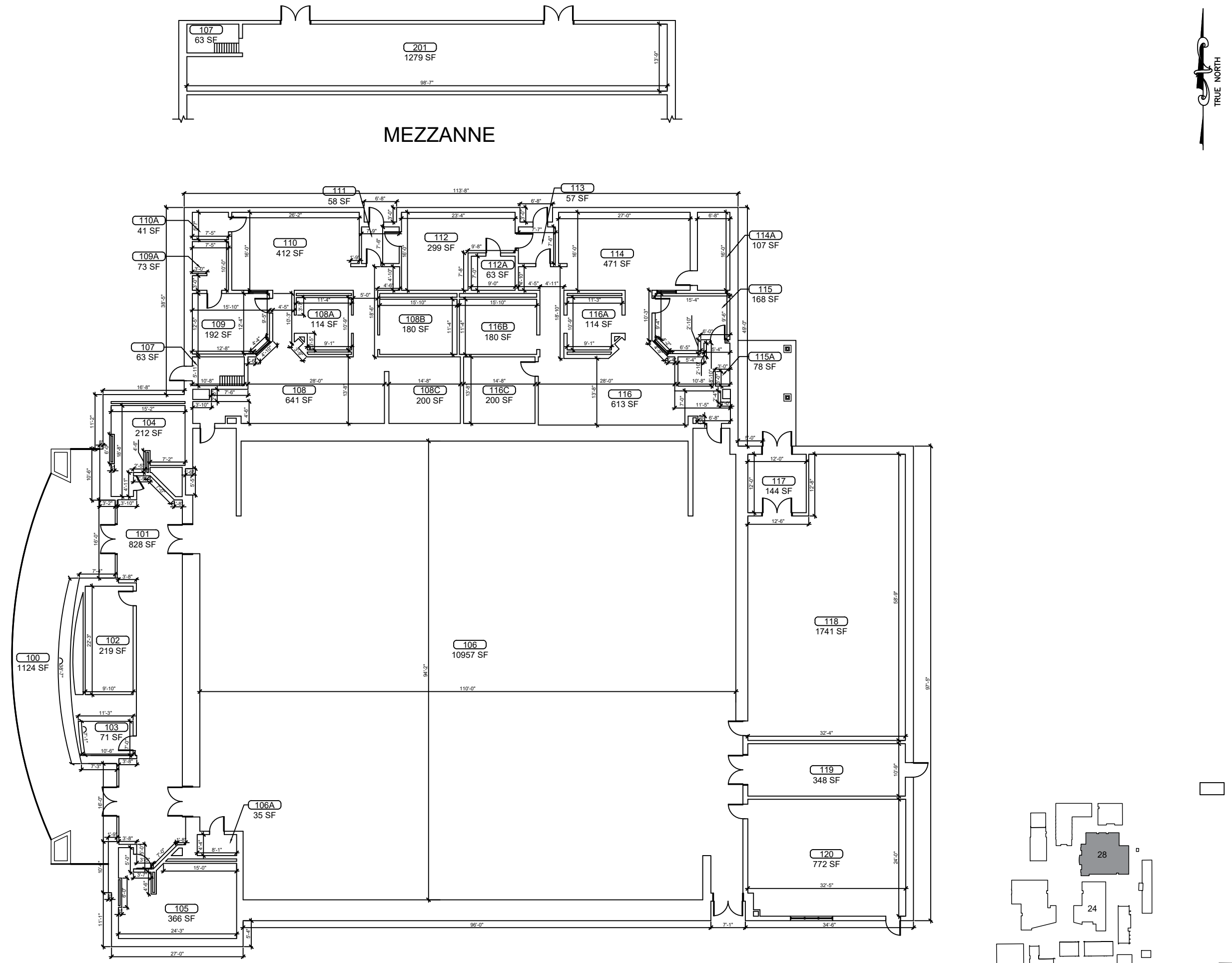
**Umatilla High School**  
**(FISH PLAN)**

320 N Trowell Ave,  
Umatilla, FL

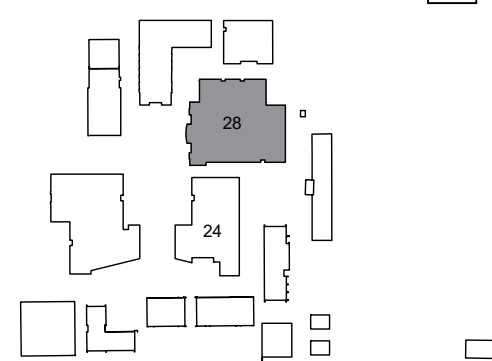
SHEET DESCRIPTION  
**BUILDING 27**

SHEET NUMBER  
**B-10**

ARCHIS TECHNOLOGIES - C:\Users\Pier\Desktop\Archis\Projects\CM\Umatilla HS\CAD\896\_Lake County\_Fish\_Suvery\_Umatilla HS\CAD\896\_Lake County\_Fish\_Suvery\_Umatilla HS CADD.dwg February 5, 2021 12:14:16 PM Pier



**1 BUILDING 28 FLOOR & MEZZANINE PLAN**  
**B-11 SCALE: 1/8" = 1'-0"**



**KEY PLAN**

REV	DATE	DESCRIPTION
A	02/01/21	PRELIMINARY FISH PLAN
B		
0		
1		
2		
3		
4		
5		
6		

ARCHIS PROJECT NO.:  
 DRAWN BY: YP  
 CHECKED BY: SH



**CM I**  
 158 Terra Mango Loop, Suite B,  
 Orlando, FL 32835  
 Main: (407) 293-4168

PREPARED BY:  
**ARCHIS**  
 350 E. Crown Point Road, Suite 1100  
 Winter Garden, FL 34787  
 Main: 888.324.2557  
 Direct: 407.439.1594

DATE  
 , PE  
 FL PROFESSIONAL ENGINEER LIC. #

**Umatilla High School**  
**(FISH PLAN)**  
 320 N Trowell Ave,  
 Umatilla, FL  
 SHEET DESCRIPTION

**BUILDING 28**  
 SHEET NUMBER  
**B-11**