

TRIANGLE ELEMENTARY SCHOOL



INDEX OF DRAWINGS

SHT. NO.	DESCRIPTION
SP-01	AERIAL
SP-02	SITE PLAN
B-01	BUILDING 01
B-02	BUILDING 03
B-03	BUILDING 04
B-04	BUILDING 06
B-05	BUILDING 07
B-06.1	BUILDING 08 FIRST FLOOR
B-06.2	BUILDING 08 SECOND FLOOR
B-07	BUILDING 10 & 80

REV	DATE	DESCRIPTION
A	02/24/21	PRELIMINARY FISH PLAN
B		
0		
1		
2		
3		
4		
5		
6		

ARCHIS PROJECT NO.:	
DRAWN BY: YP	CHECKED BY: SH



PREPARED BY:

 350 E. Crown Point Road, Suite 1100
 Winter Garden, FL 34787
 Main: 888.324.2557
 Direct: 407.439.1594

DATE
 , PE
 FL PROFESSIONAL ENGINEER LIC. #

Triangle Elementary School
(FISH PLAN)
 1707 Eudora Rd, Mt Dora, FL 32757

SHEET DESCRIPTION
AERIAL VIEW

SHEET NUMBER
SP-01

1
 SP-01 **AERIAL VIEW**
 SCALE: N.T.S.

ARCHIS TECHNOLOGIES - \\server-1\H\Archis\21-036 Triangle ES\From ISP\20210503\896_Lake County_Fish_Survey_Triangle ES.dwg May 3, 2021 09:52:09 PC20

ARCHIS TECHNOLOGIES - \\server-1\H\Archis\21-036 Triangle ES\From ISP\20210503\896_Lake County_Fish_Survey_Triangle ES.dwg May 3, 2021 09:52:17 PC20



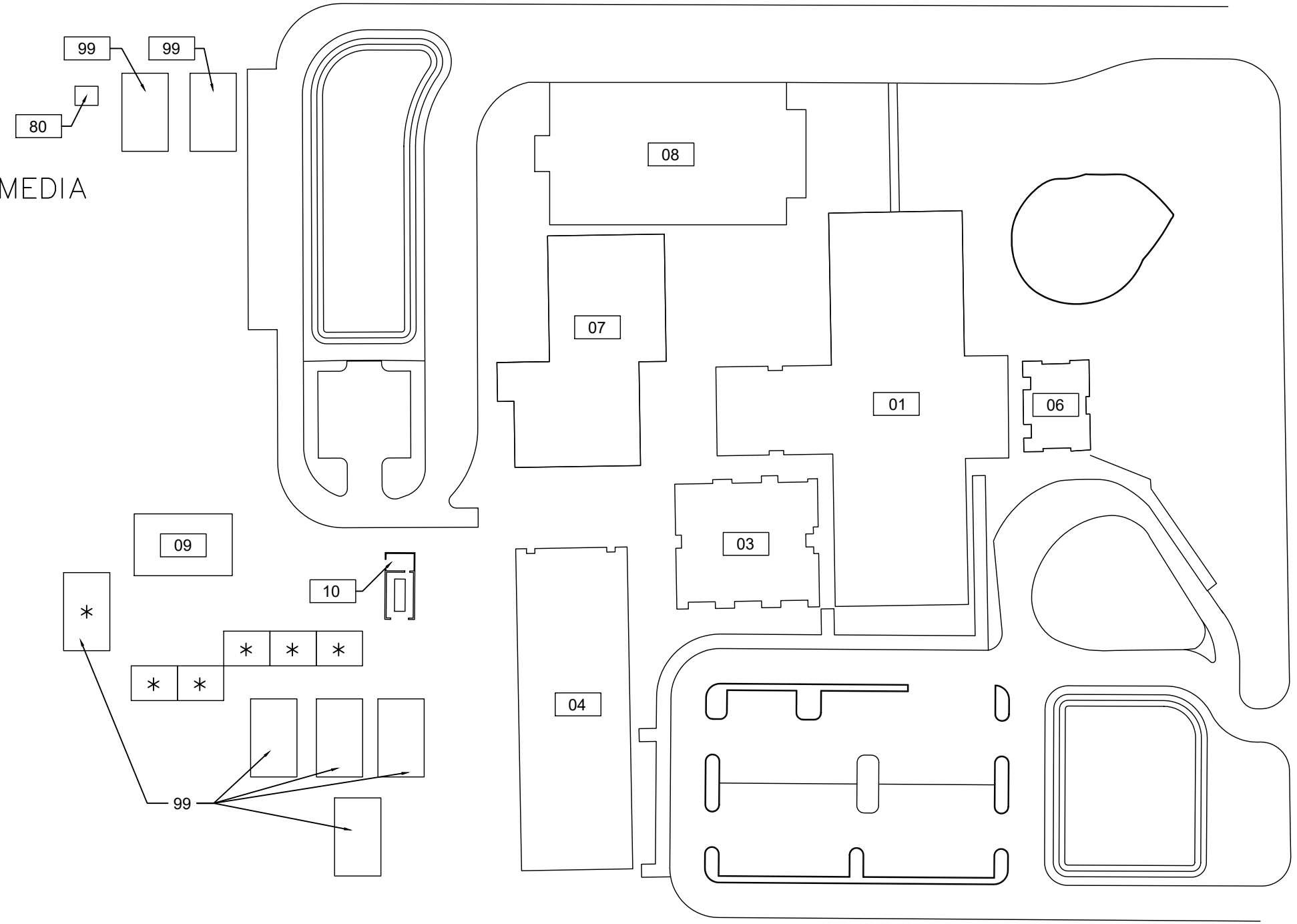
REV	DATE	DESCRIPTION
A	02/24/21	PRELIMINARY FISH PLAN
B		
0		
1		
2		
3		
4		
5		
6		

ARCHIS PROJECT NO.:
 DRAWN BY: YP CHECKED BY: SH

LEGEND

- 01 – ADMINISTRATION/CLASSROOMS/MEDIA
- 03 – CLASSROOM
- 04 – CLASSROOM
- 06 – CLASSROOM
- 07 – FOOD SERVICE/MULTIPURPOSE
- 08 – TWO STORY CLASSROOMS
- 09 – COVERED PLAY AREA
- 10 – MECHANICAL ROOM
- 99 – PORTABLES

* NOTE:
 THESE FIVE PORTABLES ARE
 "TITLE ONE OFFICES" AND "REGION
 ONE OFFICES" AND ARE NOT
 PART OF THE SCHOOL.



1
 SP-02 **OVERALL SITE PLAN**
 SCALE: 1/32"=1'-0"



CMI
 158 Terra Mango Loop, Suite B,
 Orlando, FL 32835
 Main: (407) 293-4168

PREPARED BY:
ARCHIS
 350 E. Crown Point Road, Suite 1100
 Winter Garden, FL 34787
 Main: 888.324.2557
 Direct: 407.439.1594

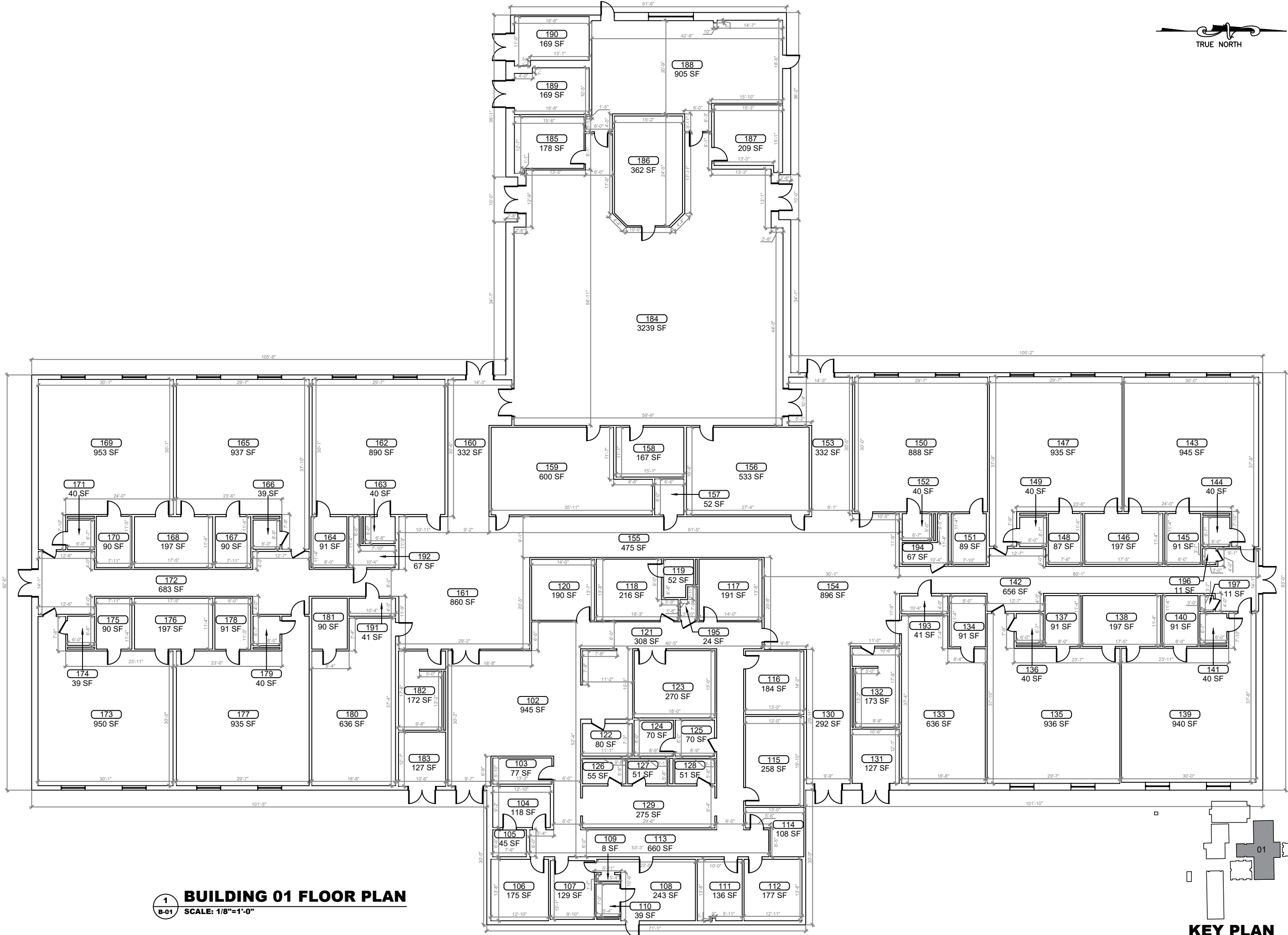
DATE
 , PE
 FL PROFESSIONAL ENGINEER LIC. #

**Triangle Elementary
 School
 (FISH PLAN)**
 1707 Eudora Rd, Mt
 Dora, FL 32757

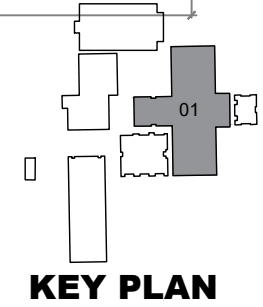
SHEET DESCRIPTION
**OVERALL SITE
 PLAN**

SHEET NUMBER
SP-02

ARCHIS TECHNOLOGIES - \\server-1\H\Archis\21-036 Triangle ES\From ISP\20210503\896_Lake County_Fish_Survey_Triangle ES.dwg May 3, 2021 09:52:22 PC20



1 BUILDING 01 FLOOR PLAN
SCALE: 1/8"=1'-0"



REV	DATE	DESCRIPTION
A	02/24/21	PRELIMINARY FISH PLAN
B		
0		
1		
2		
3		
4		
5		
6		

ARCHIS PROJECT NO.:	
DRAWN BY:	CHECKED BY:
YP	SH



CMI
158 Terra Mango Loop, Suite B,
Orlando, FL 32835
Main: (407) 293-4168

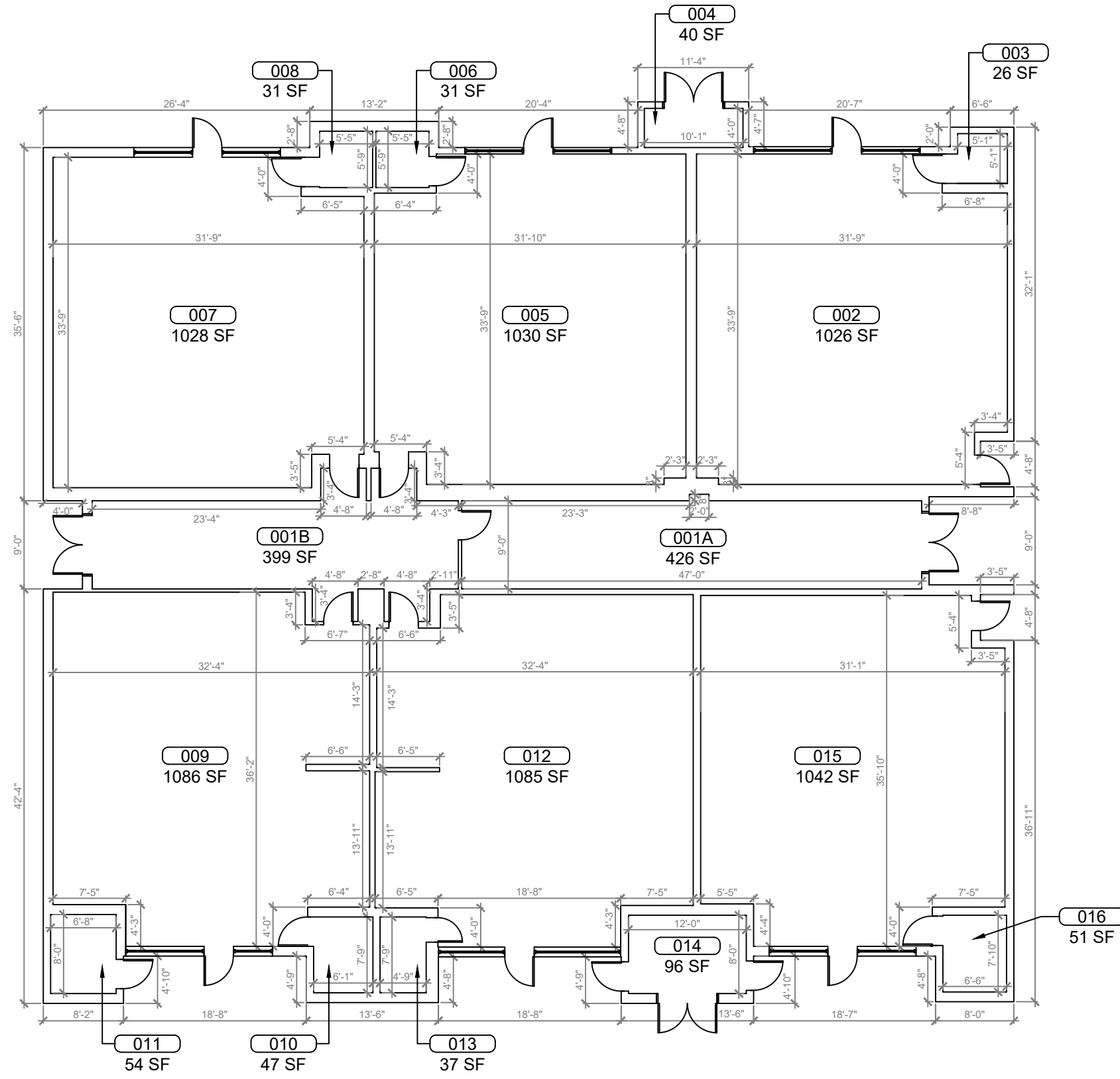
PREPARED BY:
ARCHIS
350 E. Crown Point Road, Suite 1100
Winter Garden, FL 34787
Main: 888.324.2557
Direct: 407.439.1594

DATE
_____, PE
FL PROFESSIONAL ENGINEER LIC. #

Triangle Elementary School
(FISH PLAN)
1707 Eudora Rd, Mt Dora, FL 32757
SHEET DESCRIPTION

BUILDING 01
SHEET NUMBER
B-01

ARCHIS TECHNOLOGIES - \\server-1\H\Archis\21-036 Triangle ES\From ISP\20210503\896_Lake County_Fish_Survey_Triangle ES.dwg May 3, 2021 09:52:27 PC20



REV	DATE	DESCRIPTION
A	02/24/21	PRELIMINARY FISH PLAN
B		
0		
1		
2		
3		
4		
5		
6		

ARCHIS PROJECT NO.:
 DRAWN BY: YP
 CHECKED BY: SH



CMI
 158 Terra Mango Loop, Suite B,
 Orlando, FL 32835
 Main: (407) 293-4168

PREPARED BY:

 350 E. Crown Point Road, Suite 1100
 Winter Garden, FL 34787
 Main: 888.324.2557
 Direct: 407.439.1594

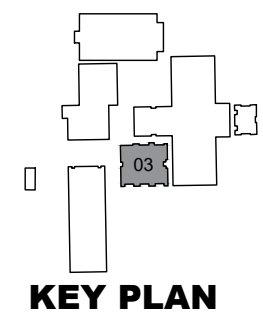
DATE _____
 , PE
 FL PROFESSIONAL ENGINEER LIC. # _____

Triangle Elementary School
(FISH PLAN)
 1707 Eudora Rd, Mt Dora, FL 32757
 SHEET DESCRIPTION

BUILDING 03

SHEET NUMBER
B-02

1 BUILDING 03 FLOOR PLAN
 SCALE: 3/16"=1'-0"



ARCHIS TECHNOLOGIES - \\server-1\H\Archis\21-036 Triangle ES\From ISP\20210503\896_Lake County_Fish_Survey_Triangle_ES.dwg May 3, 2021 09:52:32 PC20



REV	DATE	DESCRIPTION
A	02/24/21	PRELIMINARY FISH PLAN
B		
0		
1		
2		
3		
4		
5		
6		

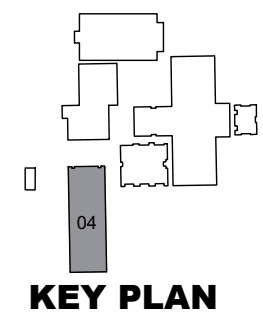
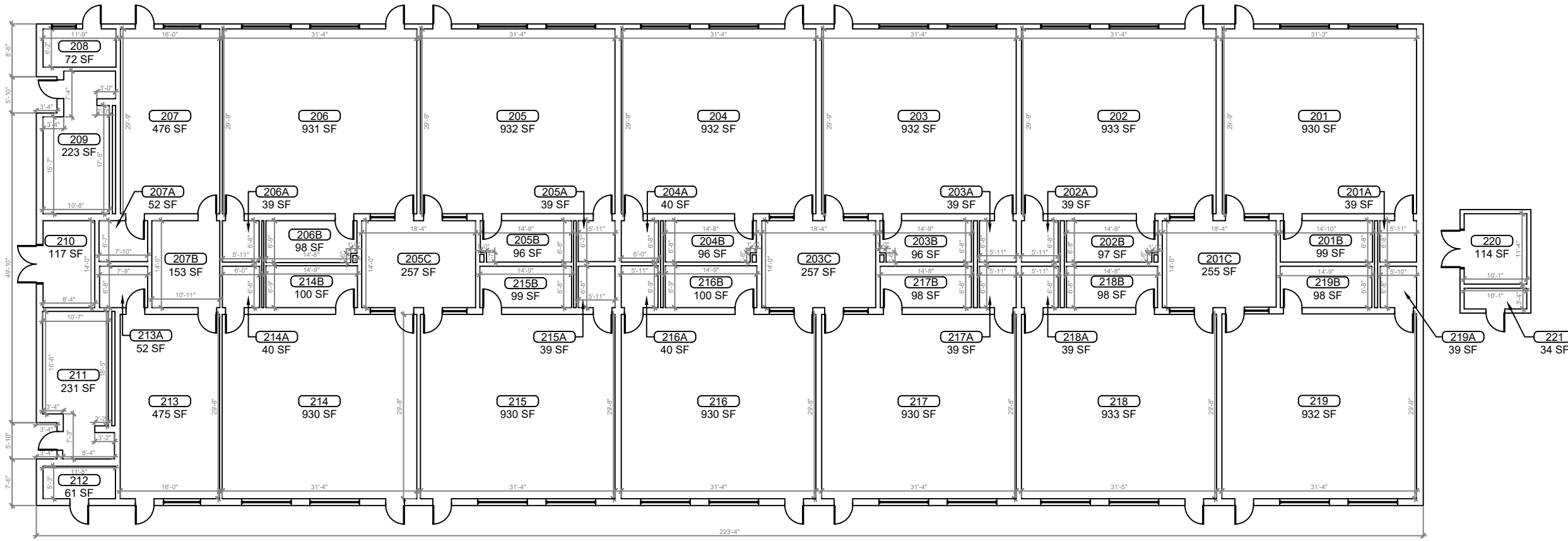
ARCHIS PROJECT NO.:	
DRAWN BY:	CHECKED BY:
YP	SH



CMI
 158 Terra Mango Loop, Suite B,
 Orlando, FL 32835
 Main: (407) 293-4168

PREPARED BY:

 350 E. Crown Point Road, Suite 1100
 Winter Garden, FL 34787
 Main: 888.324.2557
 Direct: 407.439.1594



1 BUILDING 04 FLOOR PLAN
 B-03 SCALE: 1/8"=1'-0"

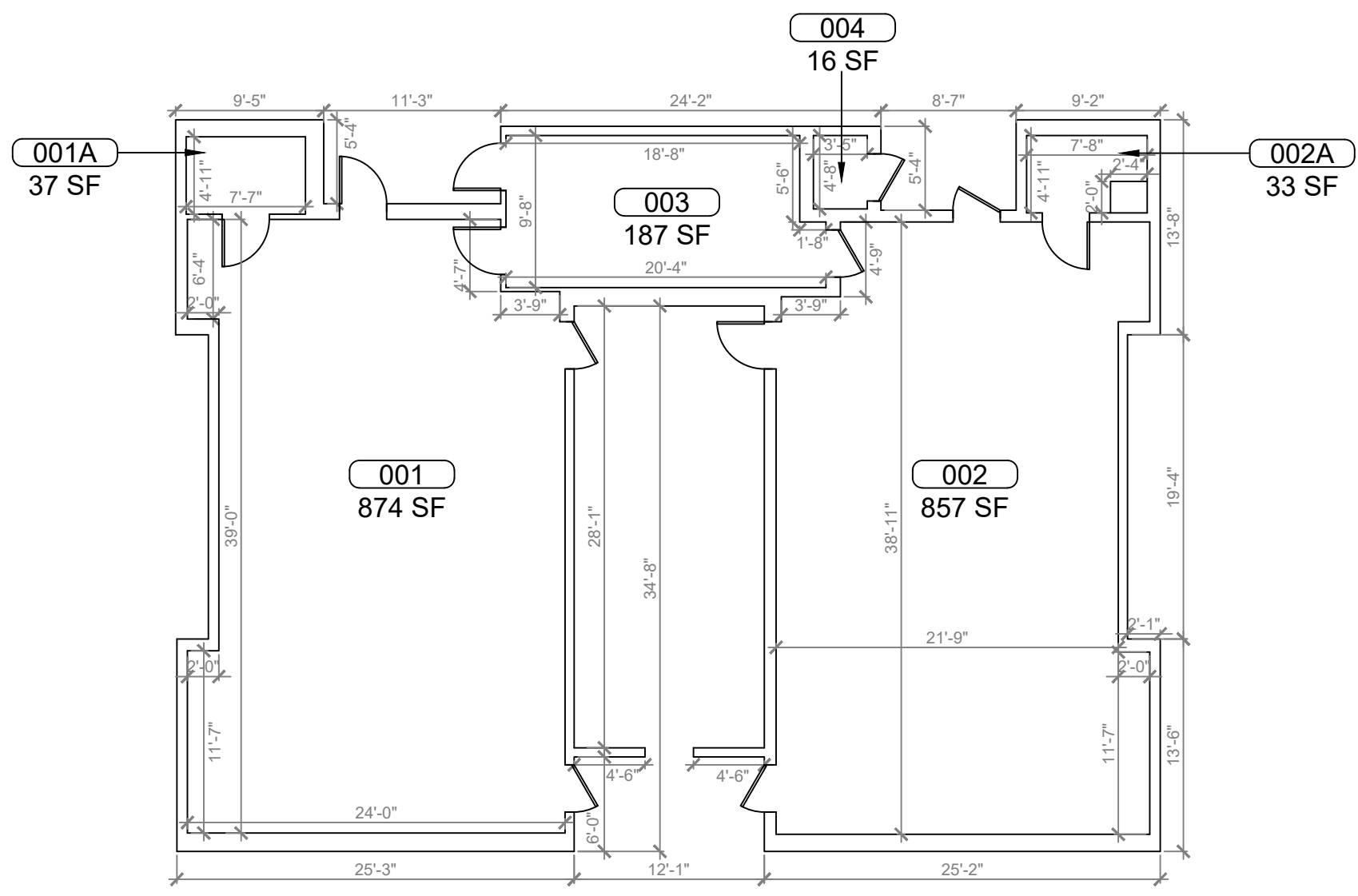
DATE
 , PE
 FL PROFESSIONAL ENGINEER LIC. #

Triangle Elementary School
(FISH PLAN)
 1707 Eudora Rd, Mt Dora, FL 32757
 SHEET DESCRIPTION

BUILDING 04

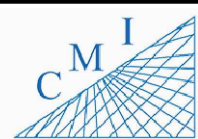
SHEET NUMBER
B-03

ARCHIS TECHNOLOGIES - \\server-1\H\Archis\21-036 Triangle\Triangle ES.dwg May 3, 2021 09:52:37 PC20



REV	DATE	DESCRIPTION
A	02/24/21	PRELIMINARY FISH PLAN
B		
0		
1		
2		
3		
4		
5		
6		

ARCHIS PROJECT NO.:	
DRAWN BY:	CHECKED BY:
YP	SH



158 Terra Mango Loop, Suite B,
Orlando, FL 32835
Main: (407) 293-4168

PREPARED BY:



350 E. Crown Point Road, Suite 1100
Winter Garden, FL 34787
Main: 888.324.2557
Direct: 407.439.1594

DATE

, PE

FL PROFESSIONAL ENGINEER LIC. #

Triangle Elementary School

(FISH PLAN)

1707 Eudora Rd, Mt Dora, FL 32757

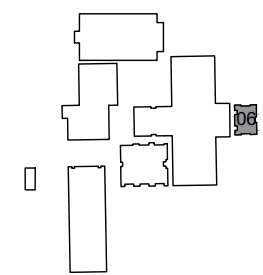
SHEET DESCRIPTION

BUILDING 06

SHEET NUMBER

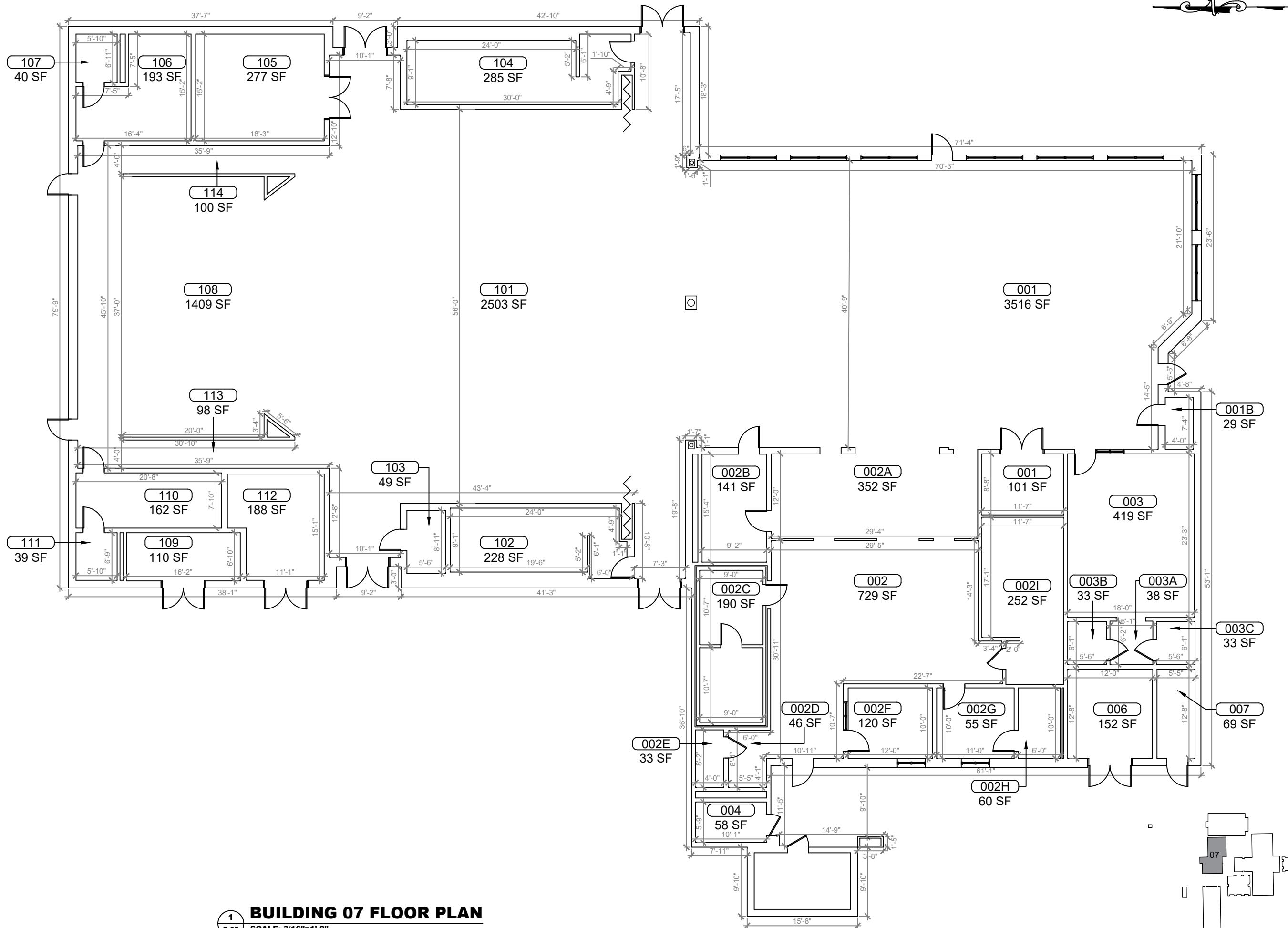
B-04

1 BUILDING 06 FLOOR PLAN
SCALE: 1/4"=1'-0"



KEY PLAN

ARCHIS TECHNOLOGIES - \\server-1\H\Archis\21-036 Triangle ES.dwg May 3, 2021 09:52:42 PC20



BUILDING 07 FLOOR PLAN
 SCALE: 3/16"=1'-0"

TRUE NORTH

KEY PLAN

REV	DATE	DESCRIPTION
A	02/24/21	PRELIMINARY FISH PLAN
B		
0		
1		
2		
3		
4		
5		
6		

ARCHIS PROJECT NO.:

DRAWN BY:	CHECKED BY:
YP	SH



158 Terra Mango Loop, Suite B,
 Orlando, FL 32835
 Main: (407) 293-4168

PREPARED BY:



350 E. Crown Point Road, Suite 1100
 Winter Garden, FL 34787
 Main: 888.324.2557
 Direct: 407.439.1594

DATE

, PE

FL PROFESSIONAL ENGINEER LIC. #

Triangle Elementary School

(FISH PLAN)

1707 Eudora Rd, Mt Dora, FL 32757

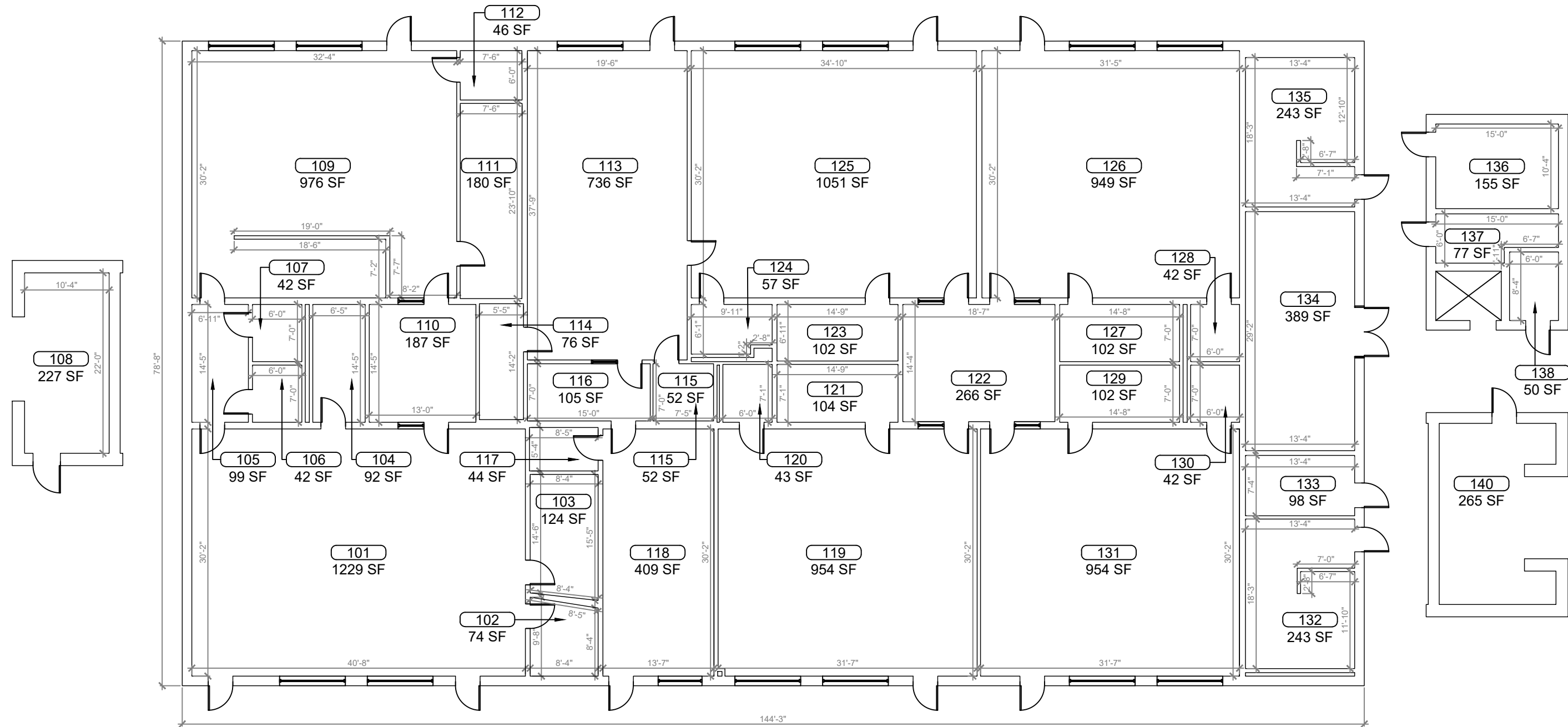
SHEET DESCRIPTION

BUILDING 07

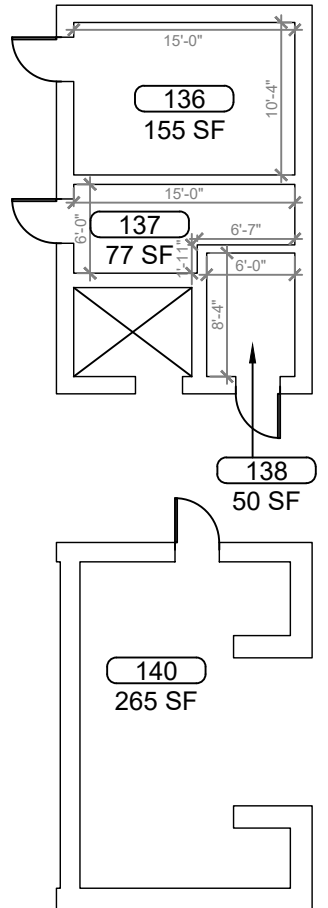
SHEET NUMBER

B-05

ARCHIS TECHNOLOGIES - \\server-1\H\Archis\21-036 Triangle ES\From ISP\20210503\896_Lake County_Fish_Survey_Triangle_ES.dwg May 3, 2021 09:52:47 PC20



BUILDING 08 FIRST FLOOR PLAN
SCALE: 3/16"=1'-0"

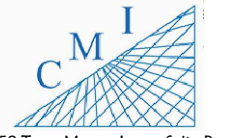


KEY PLAN

REV	DATE	DESCRIPTION
A	02/24/21	PRELIMINARY FISH PLAN
B		
0		
1		
2		
3		
4		
5		
6		

ARCHIS PROJECT NO.:

DRAWN BY:	CHECKED BY:
YP	SH



158 Terra Mango Loop, Suite B,
Orlando, FL 32835
Main: (407) 293-4168

PREPARED BY:



350 E. Crown Point Road, Suite 1100
Winter Garden, FL 34787
Main: 888.324.2557
Direct: 407.439.1594

DATE

, PE

FL PROFESSIONAL ENGINEER LIC. #

Triangle Elementary School

(FISH PLAN)

1707 Eudora Rd, Mt Dora, FL 32757

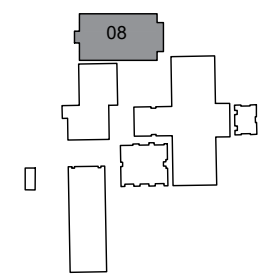
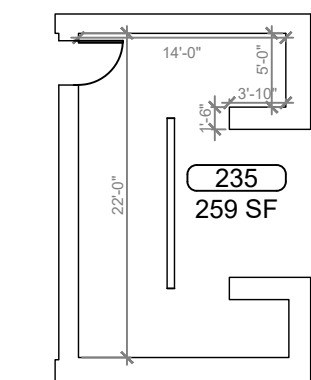
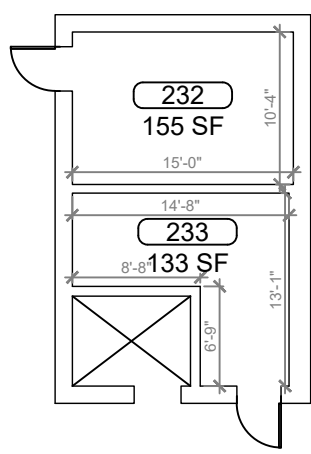
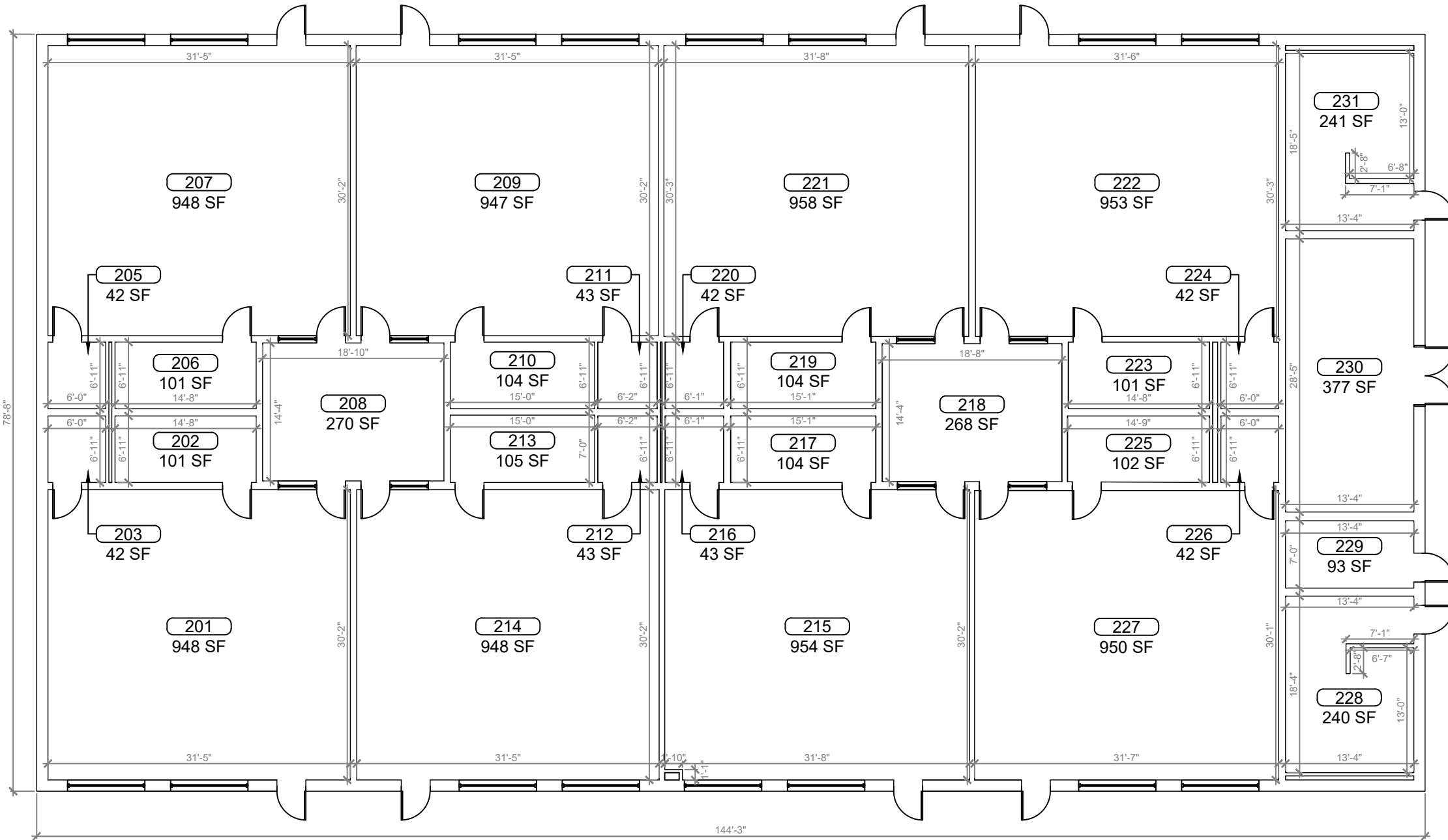
SHEET DESCRIPTION

BUILDING 08

SHEET NUMBER

B-06.1

ARCHIS TECHNOLOGIES - \\server-1\H\Archis\21-036 Triangle ES\From ISP\20210503\896_Lake County_Fish_Survey_Triangle ES.dwg May 3, 2021 09:52:52 PC20



KEY PLAN

BUILDING 08 SECOND FLOOR PLAN
SCALE: 3/16"=1'-0"

REV	DATE	DESCRIPTION
A	02/24/21	PRELIMINARY FISH PLAN
B		
0		
1		
2		
3		
4		
5		
6		

ARCHIS PROJECT NO.:	
DRAWN BY:	CHECKED BY:
YP	SH



158 Terra Mango Loop, Suite B,
Orlando, FL 32835
Main: (407) 293-4168

PREPARED BY:



350 E. Crown Point Road, Suite 1100
Winter Garden, FL 34787
Main: 888.324.2557
Direct: 407.439.1594

DATE

, PE

FL PROFESSIONAL ENGINEER LIC. #

Triangle Elementary School

(FISH PLAN)

1707 Eudora Rd, Mt Dora, FL 32757

SHEET DESCRIPTION

BUILDING 08

SHEET NUMBER

B-06.2

ARCHIS TECHNOLOGIES - \\server-1\H\Archis\21-036 Triangle ES\From ISP\20210503\896_Lake County_Fish Survey_Triangle ES.dwg May 3, 2021 09:52:57 PC20



REV	DATE	DESCRIPTION
A	02/24/21	PRELIMINARY FISH PLAN
B		
0		
1		
2		
3		
4		
5		
6		

ARCHIS PROJECT NO.:	
DRAWN BY:	CHECKED BY:
YP	SH



PREPARED BY:

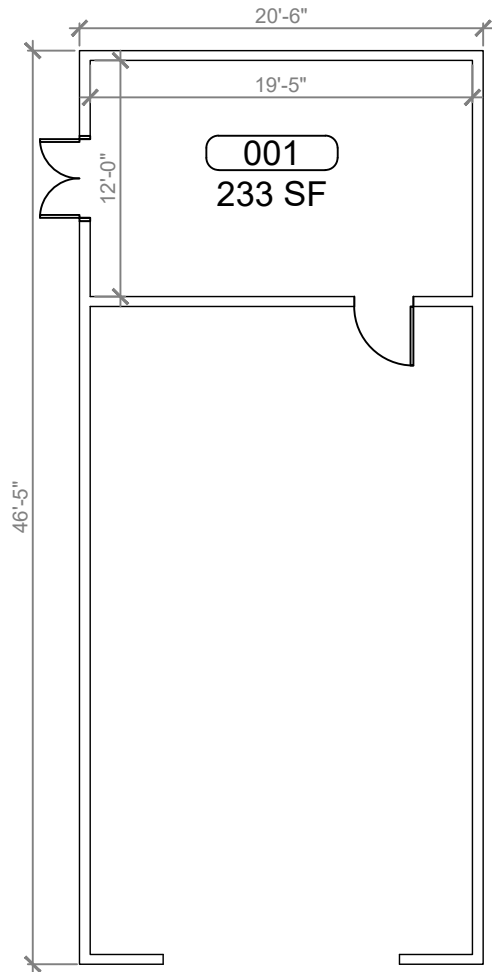
350 E. Crown Point Road, Suite 1100
Winter Garden, FL 34787
Main: 888.324.2557
Direct: 407.439.1594

DATE _____
_____, PE
FL PROFESSIONAL ENGINEER LIC. # _____

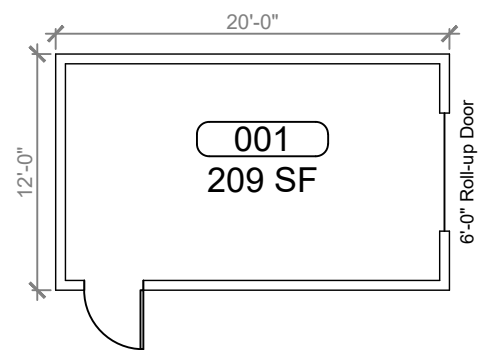
Triangle Elementary School
(FISH PLAN)
1707 Eudora Rd, Mt Dora, FL 32757

SHEET DESCRIPTION
BUILDING 10 & 80

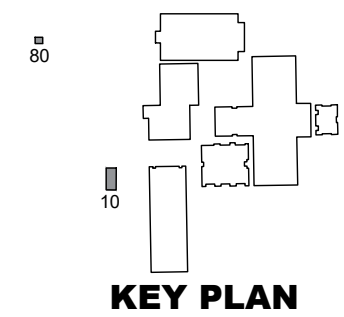
SHEET NUMBER
B-07



1
BUILDING 10 FLOOR PLAN
SCALE: 1/4"=1'-0"



2
BUILDING 80 FLOOR PLAN
SCALE: 1/4"=1'-0"



KEY PLAN