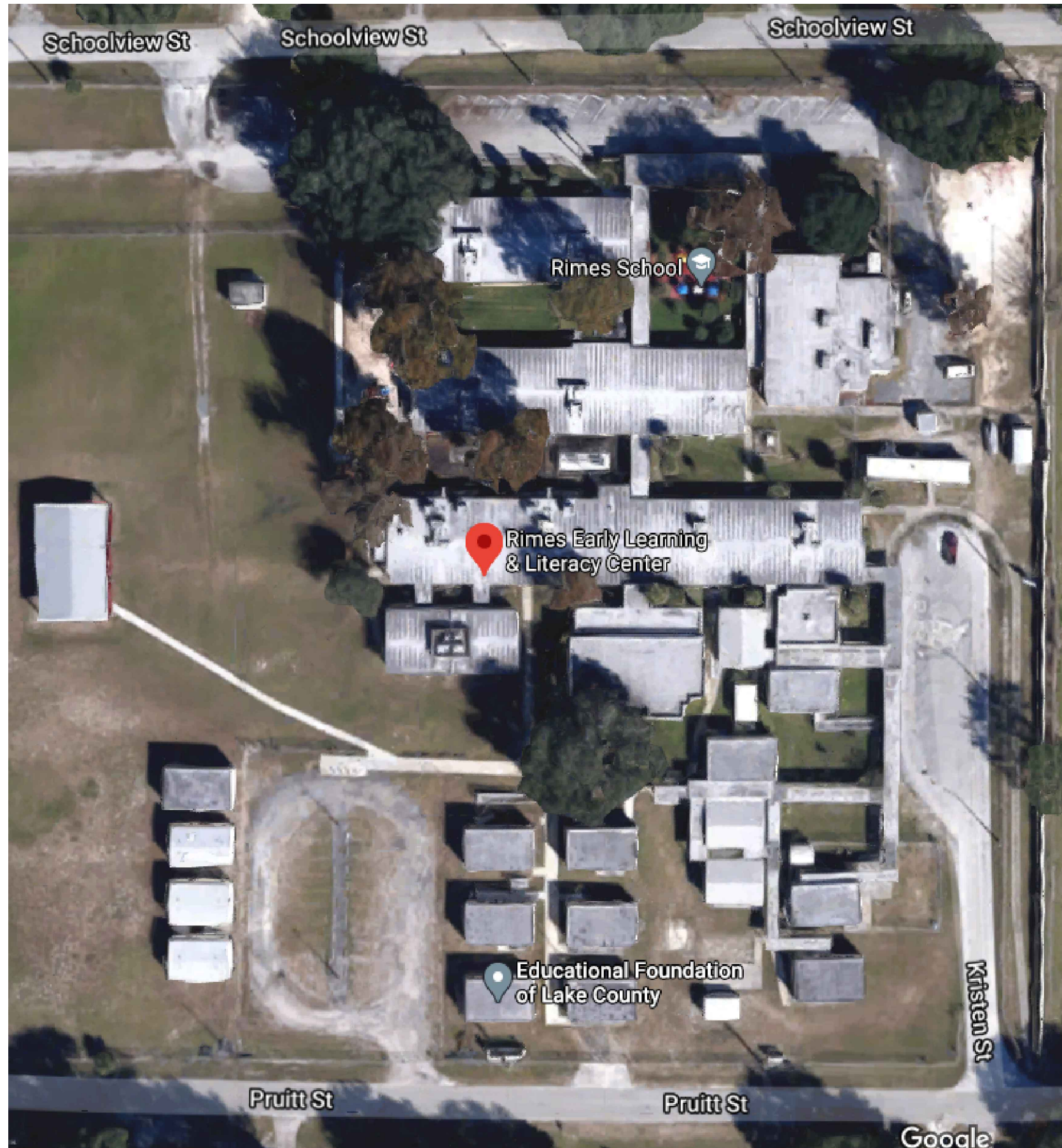


RIMES EARLY LEARNING & LITERACY CENTER



INDEX OF DRAWINGS	
SHT. NO.	DESCRIPTION
SP-01	AERIAL
SP-02	SITE PLAN
B-01	BUILDING 01
B-02	BUILDING 02
B-03	BUILDING 03 & 04
B-04	BUILDING 05
B-05	BUILDING 06 & 07
B-06	BUILDING 09 & 13
B-07	BUILDING 10, 12, 15 & 16

REV	DATE	DESCRIPTION
A	02/26/21	PRELIMINARY FISH PLAN
B		
0		
1		
2		
3		
4		
5		
6		

ARCHIS PROJECT NO.:	
DRAWN BY: YP	CHECKED BY: SH



PREPARED BY:

350 E. Crown Point Road, Suite 1100
Winter Garden, FL 34787
Main: 888.324.2557
Direct: 407.439.1594

DATE
, PE
FL PROFESSIONAL ENGINEER LIC. #

Rimes ELC
(FISH PLAN)
3101 Schoolview St,
Leesburg, FL 34748

SHEET DESCRIPTION
AERIAL VIEW

SHEET NUMBER
SP-01

1
SP-01 **AERIAL VIEW**
SCALE: N.T.S.

ARCHIS TECHNOLOGIES - \\server-1\H\Archis\21-029 Rimes ELC\From ISP\2021-03-04\896_Lake County Fish Survey_Rimes ELC.dwg March 4, 2021 16:28:51 PC20

ARCHIS TECHNOLOGIES - \\server-1\H\Archis\21-029 Rimes ELC\From ISP\2021-03-04\896_Lake County Fish Survey_Rimes ELC.dwg March 4, 2021 16:28:56 PC20



REV	DATE	DESCRIPTION
A	02/26/21	PRELIMINARY FISH PLAN
B		
0		
1		
2		
3		
4		
5		
6		

ARCHIS PROJECT NO.:	
DRAWN BY:	CHECKED BY:
YP	SH



C M I
 158 Terra Mango Loop, Suite B,
 Orlando, FL 32835
 Main: (407) 293-4168

PREPARED BY:

 350 E. Crown Point Road, Suite 1100
 Winter Garden, FL 34787
 Main: 888.324.2557
 Direct: 407.439.1594

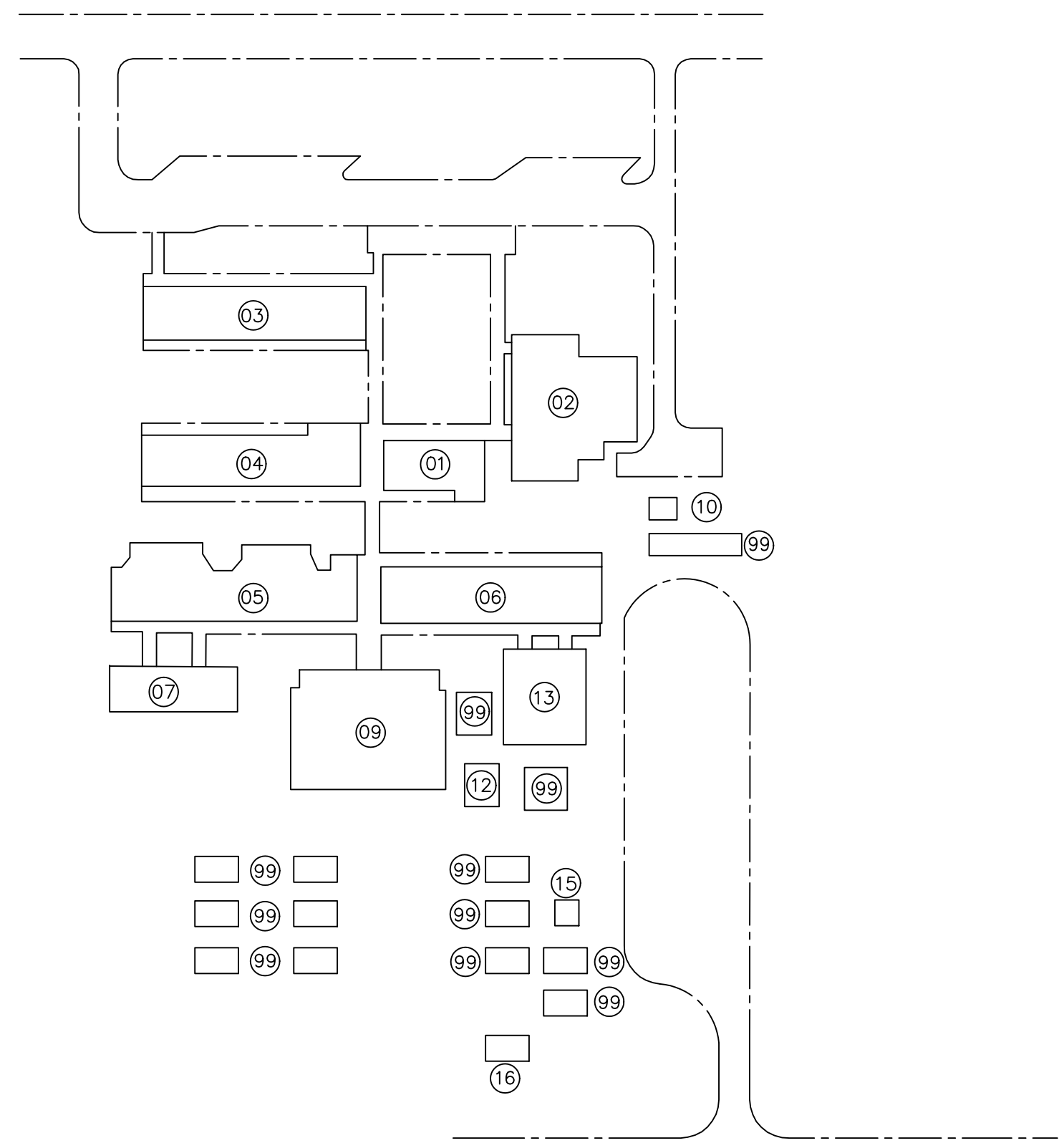
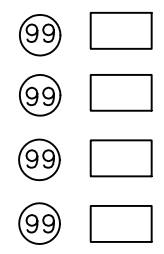
DATE _____
 , PE
 FL PROFESSIONAL ENGINEER LIC. # _____

Rimes ELC
(FISH PLAN)
 3101 Schoolview St,
 Leesburg, FL 34748
 SHEET DESCRIPTION
OVERALL SITE PLAN

SHEET NUMBER
SP-02

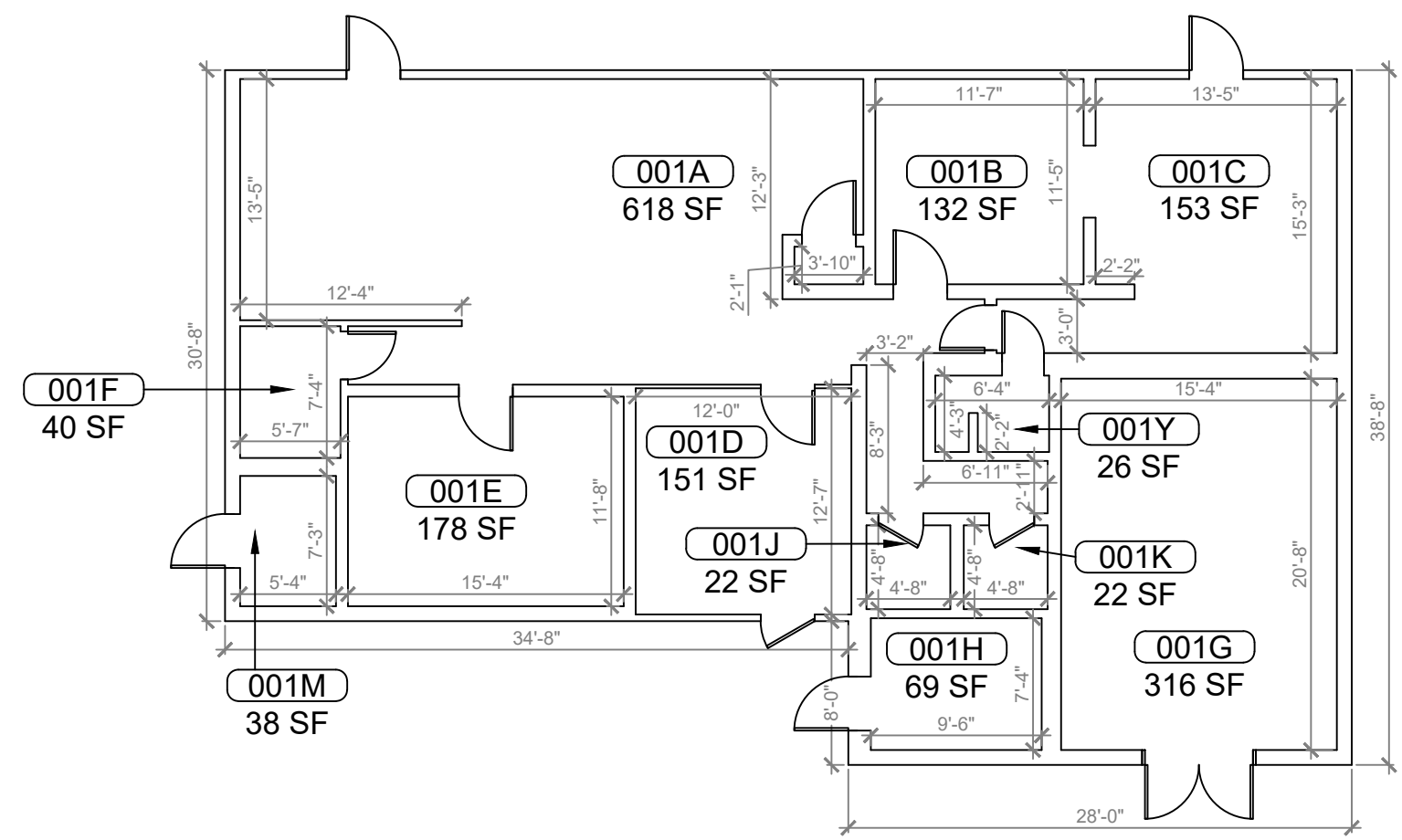
LEGEND

- 01-ADMINISTRATION
- 02-CAFETERIA
- 03-CLASSROOM
- 04-CLASSROOM
- 05-CLASSROOM
- 06-CLASSROOM
- 07-CLASSROOM
- 09-MEDIA CENTER
- 10-FLAMMABLE
- 12-STORAGE
- 13-PE STORAGE
- 14-COVERED PLAY AREA
- 15-STORAGE
- 16-STORAGE
- 99-PORTABLES



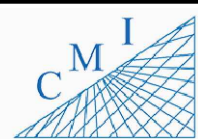
1 OVERALL SITE PLAN
 SP-02 SCALE: 1/32"=1'-0"

ARCHIS TECHNOLOGIES - \\server-1\H\Archis\21-029 Rimes ELC\From ISP\2021-03-04\896_Lake County Fish Survey_ELC.dwg March 4, 2021 16:28:59 PC20



REV	DATE	DESCRIPTION
A	02/26/21	PRELIMINARY FISH PLAN
B		
0		
1		
2		
3		
4		
5		
6		

ARCHIS PROJECT NO.:	
DRAWN BY:	CHECKED BY:
YP	SH



158 Terra Mango Loop, Suite B,
Orlando, FL 32835
Main: (407) 293-4168

PREPARED BY:

350 E. Crown Point Road, Suite 1100
Winter Garden, FL 34787
Main: 888.324.2557
Direct: 407.439.1594

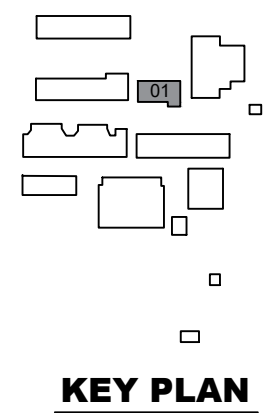
DATE
, PE
FL PROFESSIONAL ENGINEER LIC. #

Rimes ELC
(FISH PLAN)
3101 Schoolview St,
Leesburg, FL 34748

SHEET DESCRIPTION
BUILDING 01

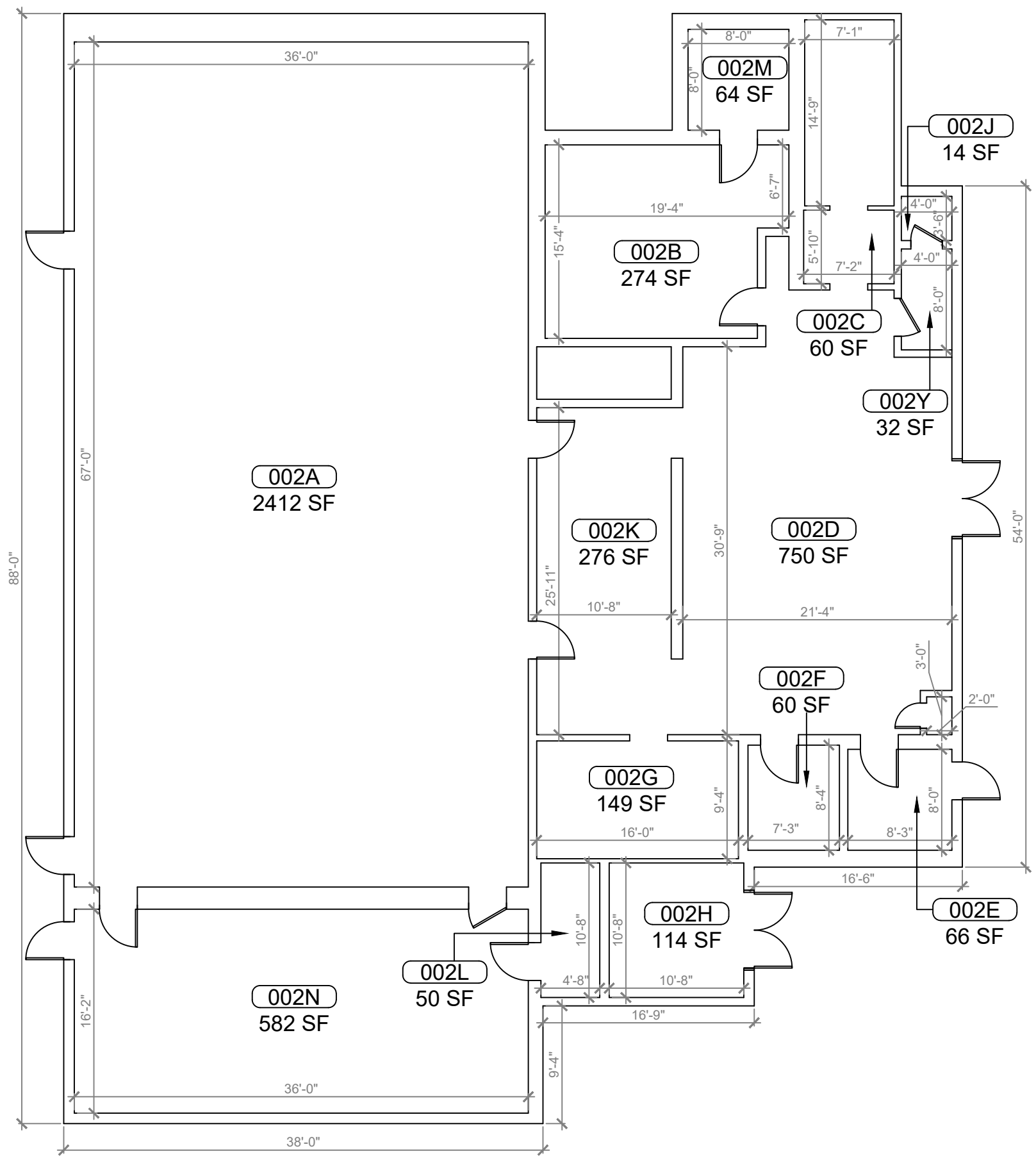
SHEET NUMBER
B-01

1 BUILDING 01 FLOOR PLAN
B-01 SCALE: 1/4"=1'-0"



KEY PLAN

ARCHIS TECHNOLOGIES - \\server-1\H\Archis\21-029 Rimes ELC\From ISP\2021-03-04\896_Lake County Fish Survey_Rimes ELC.dwg March 4, 2021 16:29:04 PC20



REV	DATE	DESCRIPTION
A	02/26/21	PRELIMINARY FISH PLAN
B		
0		
1		
2		
3		
4		
5		
6		

ARCHIS PROJECT NO.:	
DRAWN BY:	CHECKED BY:
YP	SH



158 Terra Mango Loop, Suite B,
Orlando, FL 32835
Main: (407) 293-4168

PREPARED BY:



350 E. Crown Point Road, Suite 1100
Winter Garden, FL 34787
Main: 888.324.2557
Direct: 407.439.1594

DATE

, PE

FL PROFESSIONAL ENGINEER LIC. #

Rimes ELC

(FISH PLAN)

3101 Schoolview St,
Leesburg, FL 34748

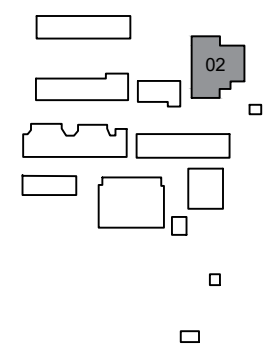
SHEET DESCRIPTION

BUILDING 02

SHEET NUMBER

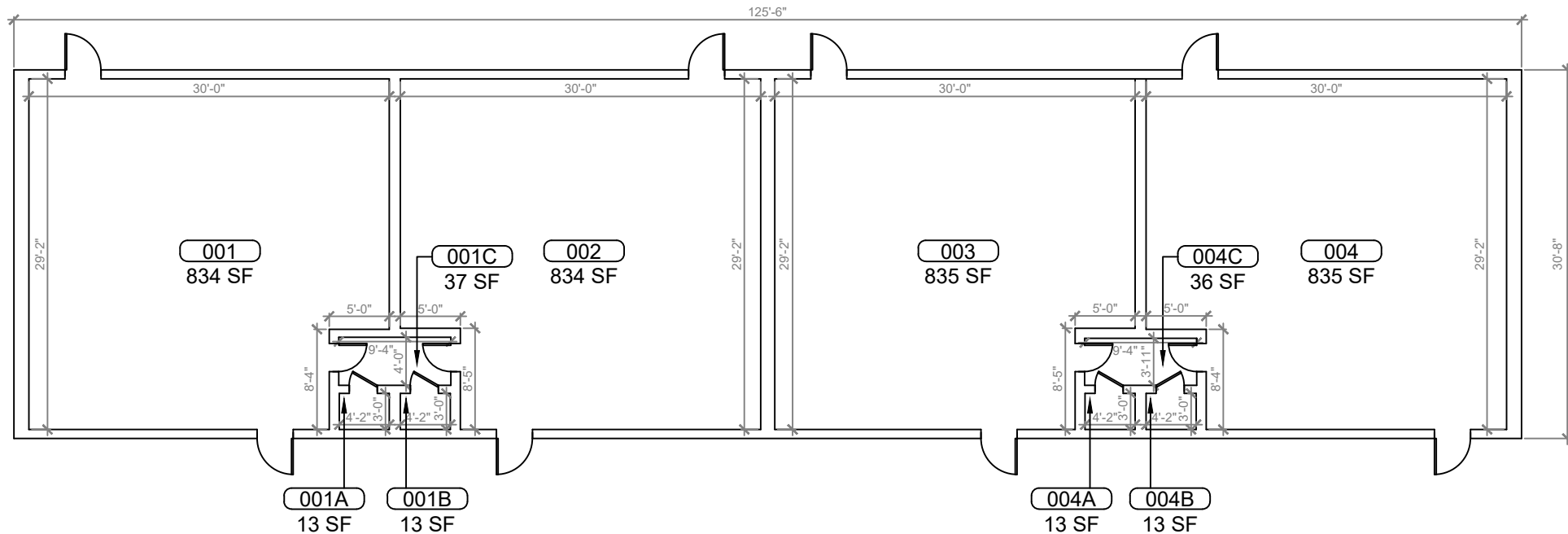
B-02

1 BUILDING 02 FLOOR PLAN
SCALE: 1/4"=1'-0"

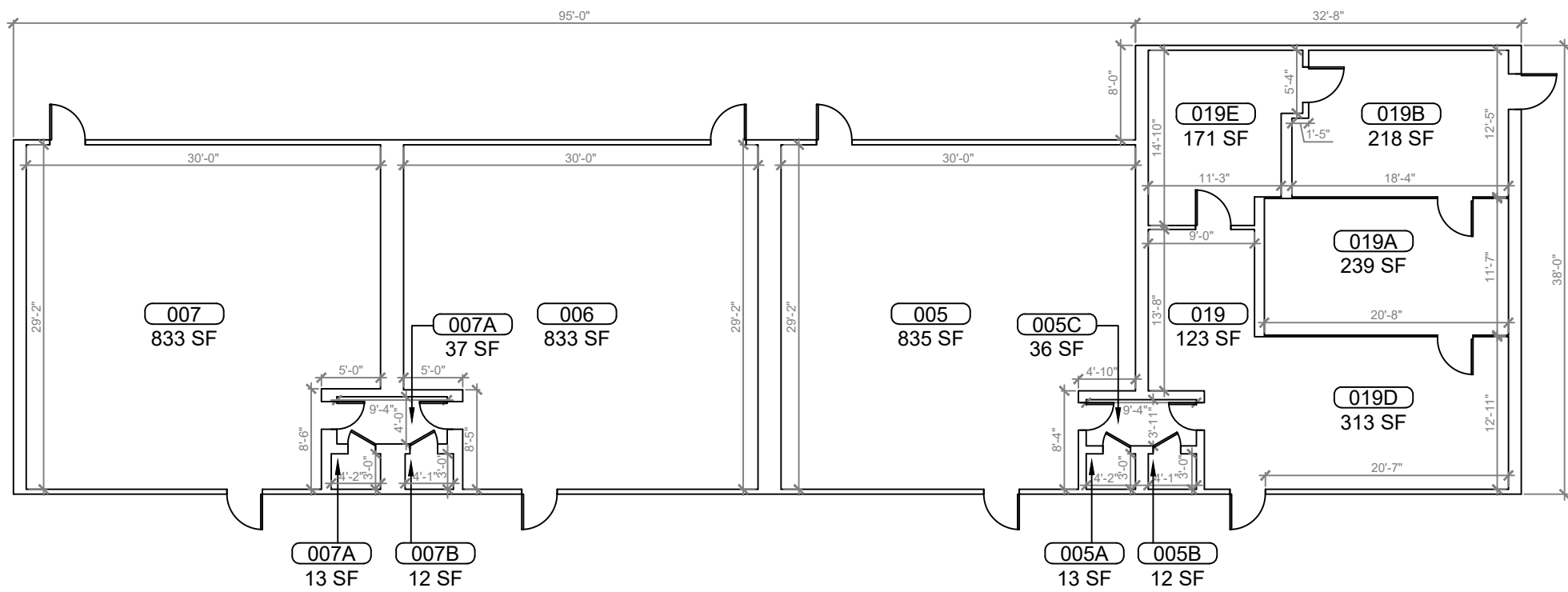


KEY PLAN

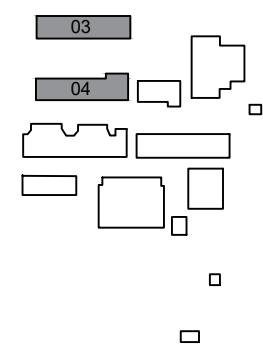
ARCHIS TECHNOLOGIES - \\server-1\H\Archis\21-029 Rimes ELC\From ISP\2021-03-04\896_Lake County Fish Survey_ELC.dwg March 4, 2021 16:29:09 PC20



1 BUILDING 03 FLOOR PLAN
 B-03 SCALE: 3/16"=1'-0"



2 BUILDING 04 FLOOR PLAN
 B-03 SCALE: 3/16"=1'-0"

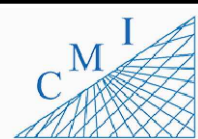


KEY PLAN

REV	DATE	DESCRIPTION
A	02/26/21	PRELIMINARY FISH PLAN
B		
0		
1		
2		
3		
4		
5		
6		

ARCHIS PROJECT NO.:

DRAWN BY:	CHECKED BY:
YP	SH



158 Terra Mango Loop, Suite B,
 Orlando, FL 32835
 Main: (407) 293-4168

PREPARED BY:

ARCHIS

350 E. Crown Point Road, Suite 1100
 Winter Garden, FL 34787
 Main: 888.324.2557
 Direct: 407.439.1594

DATE _____
 , PE
 FL PROFESSIONAL ENGINEER LIC. # _____

Rimes ELC

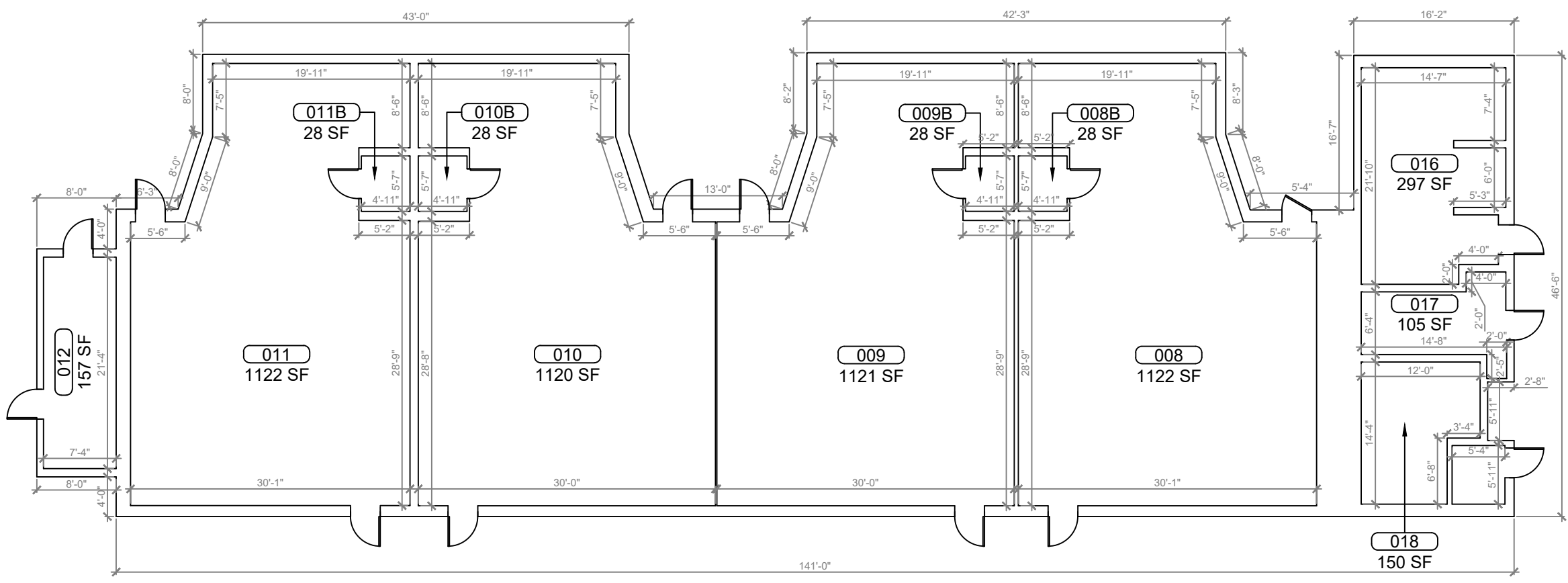
(FISH PLAN)

3101 Schoolview St,
 Leesburg, FL 34748

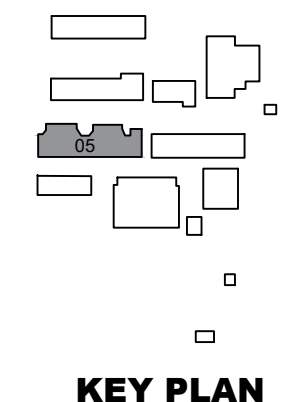
SHEET DESCRIPTION
BUILDING 03 & 04

SHEET NUMBER
B-03

ARCHIS TECHNOLOGIES - \\server-1\H\Archis\21-029 Rimes ELC\From ISP\2021-03-04\896_Lake County Fish Survey_ELC.dwg March 4, 2021 16:29:14 PC20



1
B-04 **BUILDING 05 FLOOR PLAN**
SCALE: 3/16"=1'-0"



REV	DATE	DESCRIPTION
A	02/26/21	PRELIMINARY FISH PLAN
B		
0		
1		
2		
3		
4		
5		
6		

ARCHIS PROJECT NO.:	
DRAWN BY:	CHECKED BY:
YP	SH



CMI
158 Terra Mango Loop, Suite B,
Orlando, FL 32835
Main: (407) 293-4168

PREPARED BY:
ARCHIS
350 E. Crown Point Road, Suite 1100
Winter Garden, FL 34787
Main: 888.324.2557
Direct: 407.439.1594

DATE
, PE
FL PROFESSIONAL ENGINEER LIC. #

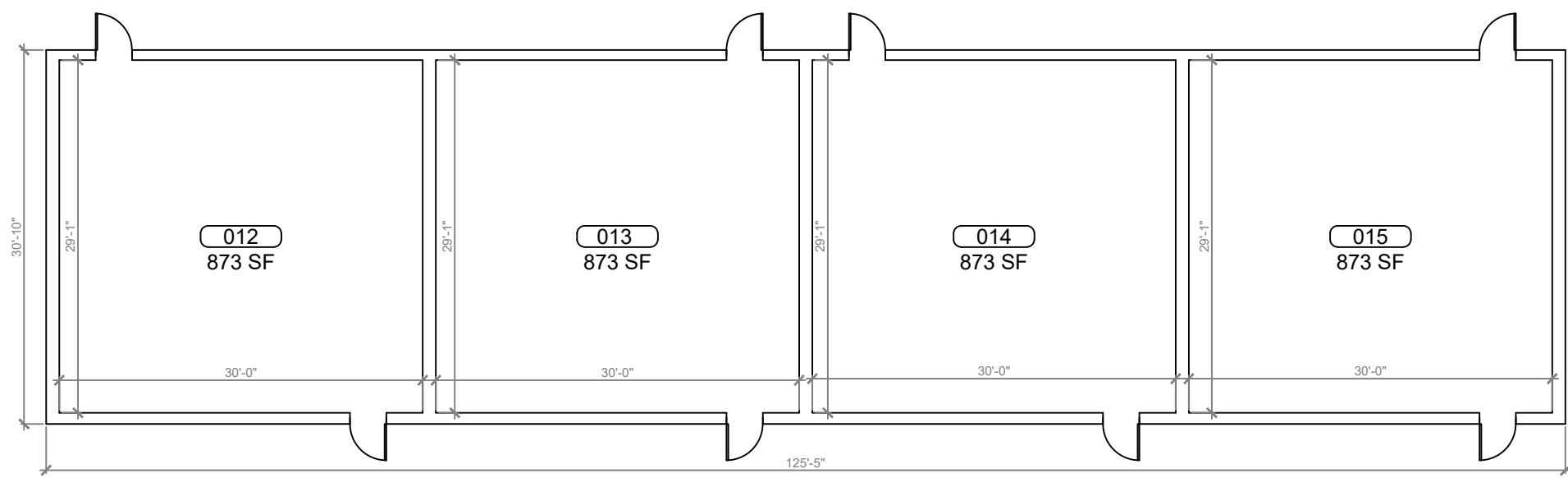
Rimes ELC
(FISH PLAN)
3101 Schoolview St,
Leesburg, FL 34748
SHEET DESCRIPTION

BUILDING 05

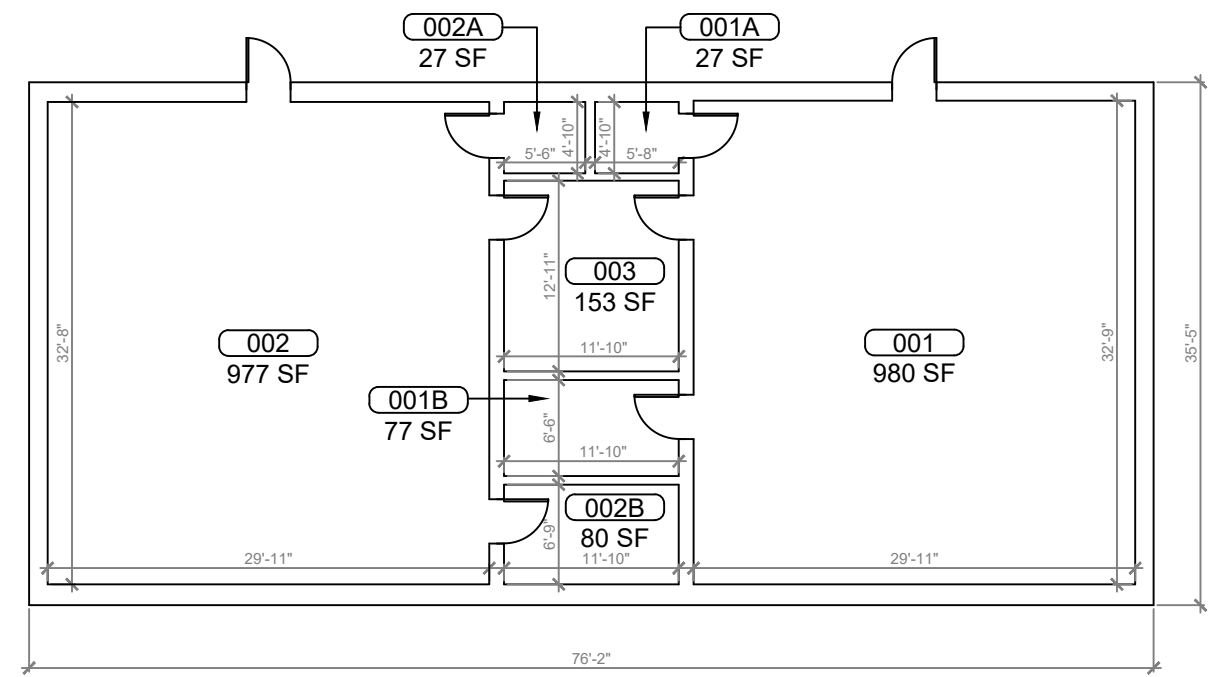
SHEET NUMBER
B-04

KEY PLAN

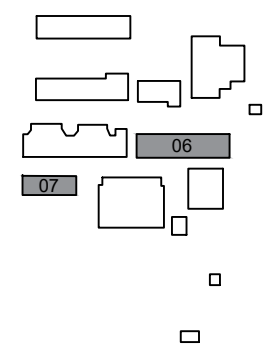
ARCHIS TECHNOLOGIES - \\server-1\H\Archis\21-029 Rimes ELC\From ISP\2021-03-04\896_Lake County Fish Survey_ELC.dwg March 4, 2021 16:29:19 PC20



1 BUILDING 06 FLOOR PLAN
 B-05 SCALE: 3/16"=1'-0"



2 BUILDING 07 FLOOR PLAN
 B-05 SCALE: 3/16"=1'-0"



KEY PLAN

REV	DATE	DESCRIPTION
A	02/26/21	PRELIMINARY FISH PLAN
B		
0		
1		
2		
3		
4		
5		
6		

ARCHIS PROJECT NO.:
 DRAWN BY: YP CHECKED BY: SH



158 Terra Mango Loop, Suite B,
 Orlando, FL 32835
 Main: (407) 293-4168

PREPARED BY:
ARCHIS
 350 E. Crown Point Road, Suite 1100
 Winter Garden, FL 34787
 Main: 888.324.2557
 Direct: 407.439.1594

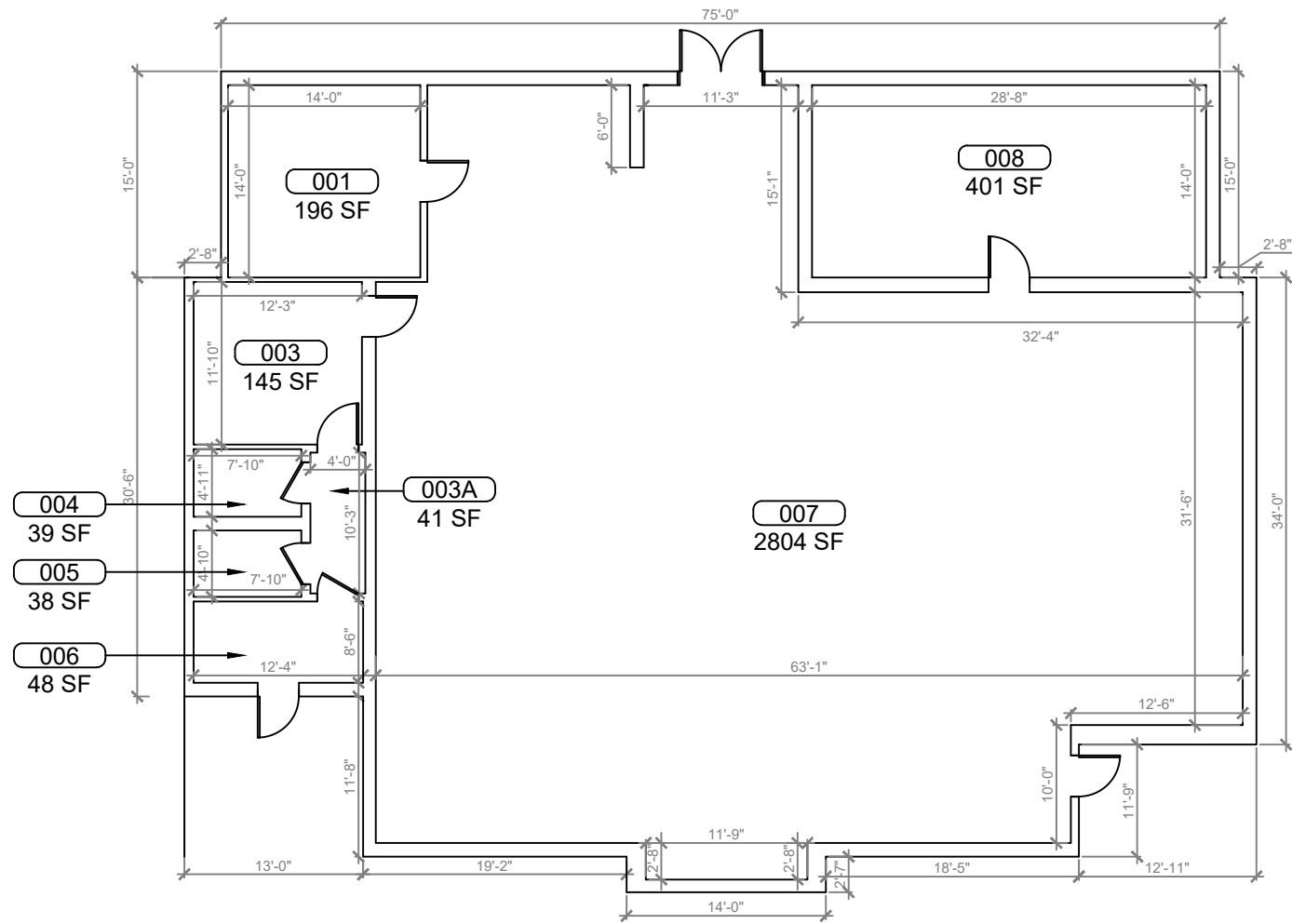
DATE
 , PE
 FL PROFESSIONAL ENGINEER LIC. #

Rimes ELC
(FISH PLAN)
 3101 Schoolview St,
 Leesburg, FL 34748

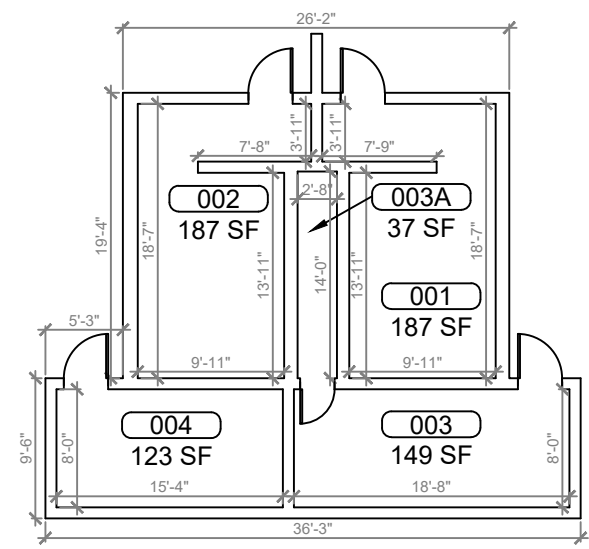
SHEET DESCRIPTION
BUILDING 06 & 07

SHEET NUMBER
B-05

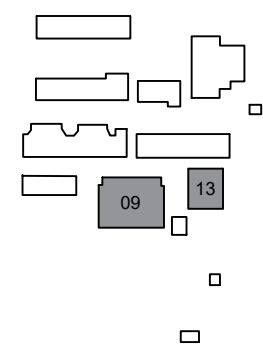
ARCHIS TECHNOLOGIES - \\server-1\H\Archis\21-029 Rimes ELC\From ISP\2021-03-04\896_Lake County Fish Survey_ELC.dwg March 4, 2021 16:29:24 PC20



1 BUILDING 09 FLOOR PLAN
B-06 SCALE: 3/16"=1'-0"



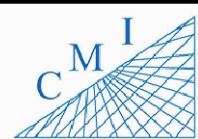
2 BUILDING 13 FLOOR PLAN
B-06 SCALE: 3/16"=1'-0"



KEY PLAN

REV	DATE	DESCRIPTION
A	02/26/21	PRELIMINARY FISH PLAN
B		
0		
1		
2		
3		
4		
5		
6		

ARCHIS PROJECT NO.:	
DRAWN BY:	CHECKED BY:
YP	SH



158 Terra Mango Loop, Suite B,
Orlando, FL 32835
Main: (407) 293-4168

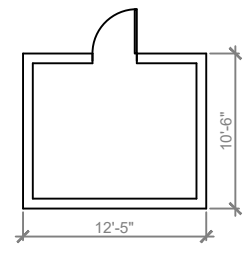
PREPARED BY:
ARCHIS
350 E. Crown Point Road, Suite 1100
Winter Garden, FL 34787
Main: 888.324.2557
Direct: 407.439.1594

DATE
, PE
FL PROFESSIONAL ENGINEER LIC. #

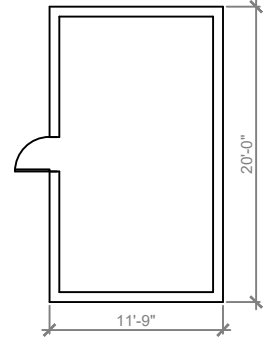
Rimes ELC
(FISH PLAN)
3101 Schoolview St,
Leesburg, FL 34748
SHEET DESCRIPTION
BUILDING 09 & 13

SHEET NUMBER
B-06

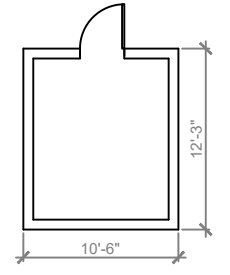
ARCHIS TECHNOLOGIES - \\server-1\H\Archis\21-029 Rimes ELC\From ISP\2021-03-04\896_Lake County Fish Survey_Rimes ELC.dwg March 4, 2021 16:29:29 PC20



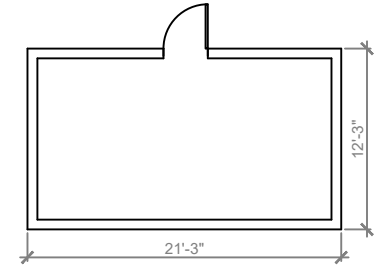
1 BUILDING 10 FLOOR PLAN
 B-07 SCALE: 3/16"=1'-0"



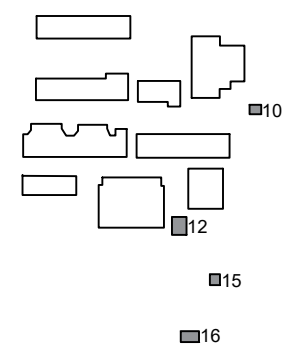
2 BUILDING 12 FLOOR PLAN
 B-07 SCALE: 3/16"=1'-0"



3 BUILDING 15 FLOOR PLAN
 B-07 SCALE: 3/16"=1'-0"



4 BUILDING 16 FLOOR PLAN
 B-07 SCALE: 3/16"=1'-0"



KEY PLAN

REV	DATE	DESCRIPTION
A	02/26/21	PRELIMINARY FISH PLAN
B		
0		
1		
2		
3		
4		
5		
6		

ARCHIS PROJECT NO.:	
DRAWN BY:	CHECKED BY:
YP	SH



PREPARED BY:

350 E. Crown Point Road, Suite 1100
 Winter Garden, FL 34787
 Main: 888.324.2557
 Direct: 407.439.1594

DATE _____
 , PE
 FL PROFESSIONAL ENGINEER LIC. # _____

Rimes ELC
(FISH PLAN)
 3101 Schoolview St,
 Leesburg, FL 34748

SHEET DESCRIPTION
BUILDING
10,12,15,16

SHEET NUMBER
B-07