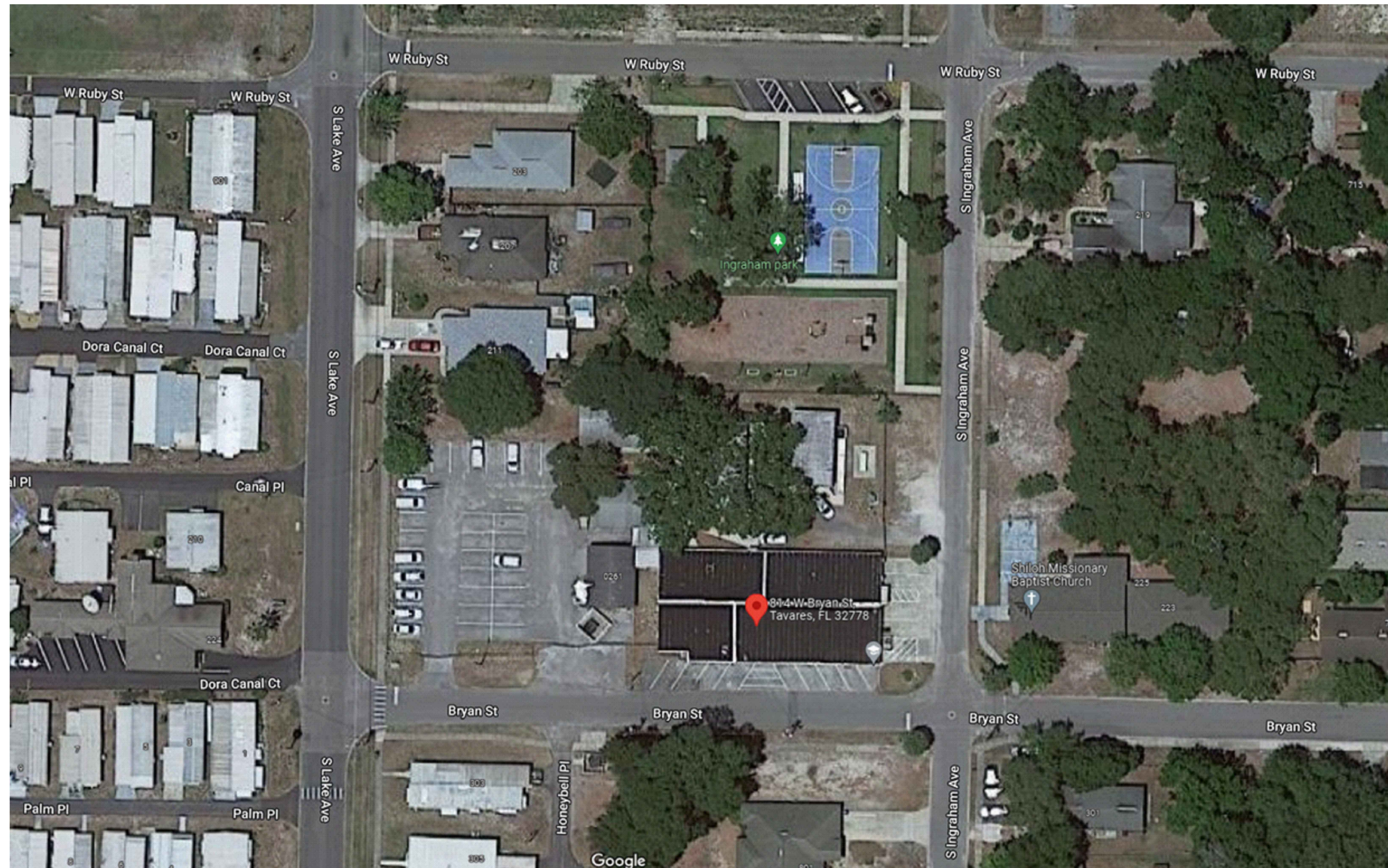


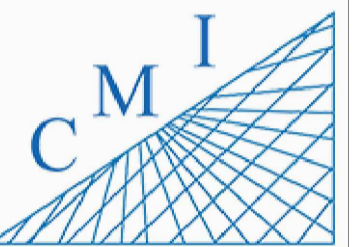
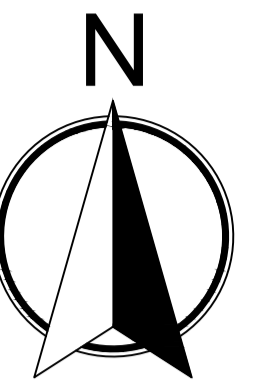
ARCHIS TECHNOLOGIES - C:\Users\KhushbuPatel\Desktop\Lake County Autocad\MIS North Tavares\6\New Folder\ETS IT MIS NORTH TAVARES.dwg November 2, 2022 9:50:57 AM KhushbuPatel

ETS-IT-MIS NORTH TAVARES



 **1 F.I.S.H PLAN_AERIAL VIEW**
SCALE: N.T.S.

INDEX OF DRAWINGS	
SHT. NO.	DESCRIPTION
S-1	AERIAL VIEW
S-2	OVERALL SITE PLAN
F-1	MIS DATA COMPUTER CENTER (BLDG 01)
F-2	PORTABLES (14 & 66)
F-3	PORTABLES (54, 94 & 263)



158 Terra Mango Loop, Suite B,
Orlando, FL 32835
Main: (407) 293-4168

PREPARED BY:



350 E. Crown Point Road, Suite 1100
Winter Garden, FL 34787
Main: 888.324.2557
Direct: 407.439.1594

Keynotes

General Notes

REV	DATE	DESCRIPTION

ETS-IT-MIS North Tavares
814 W Bryan Street Tavares
FL 32778

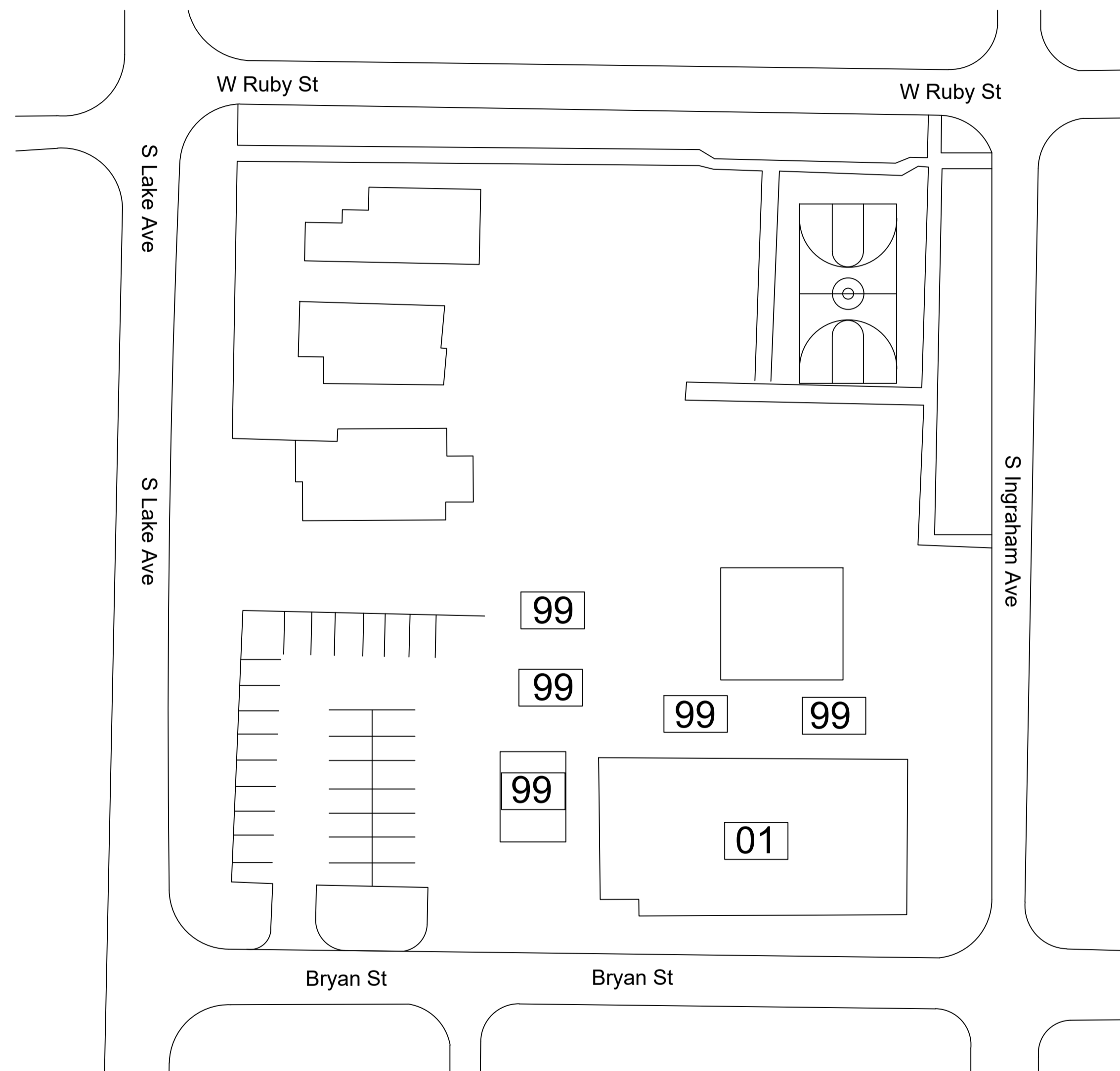
F.I.S.H PLAN

SHEET DESCRIPTION

AERIAL VIEW

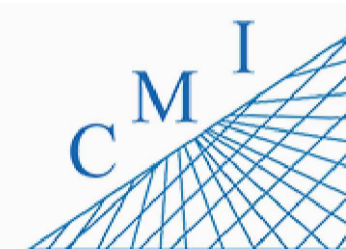
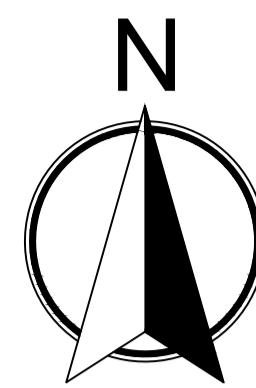
SHEET NUMBER

S-1



1 F.I.S.H PLAN_OVERALL SITE PLAN
SCALE: 1/2"=1'-0"

LEGEND	
01	MAIN BUILDING
99	PORTABLES



158 Terra Mango Loop, Suite B.
Orlando, FL 32835
Main: (407) 293-4168

PREPARED BY:



350 E. Crown Point Road, Suite 1100
Winter Garden, FL 34787
Main: 888.324.2557
Direct: 407.439.1594

Keynotes

General Notes

REV	DATE	DESCRIPTION

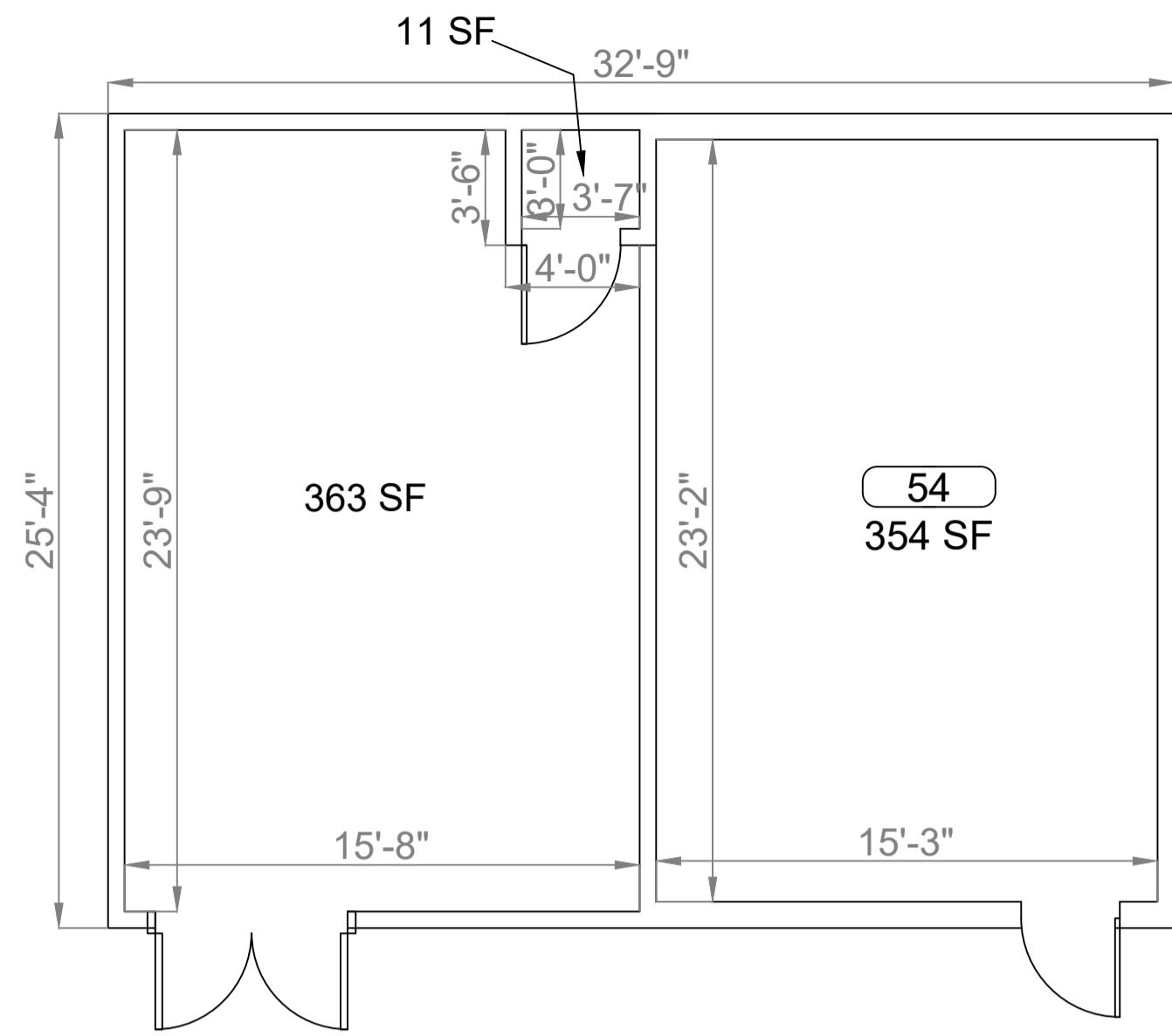
ETS-IT-MIS North Tavares
814 W Bryan Street Tavares
FL 32778

F.I.S.H PLAN

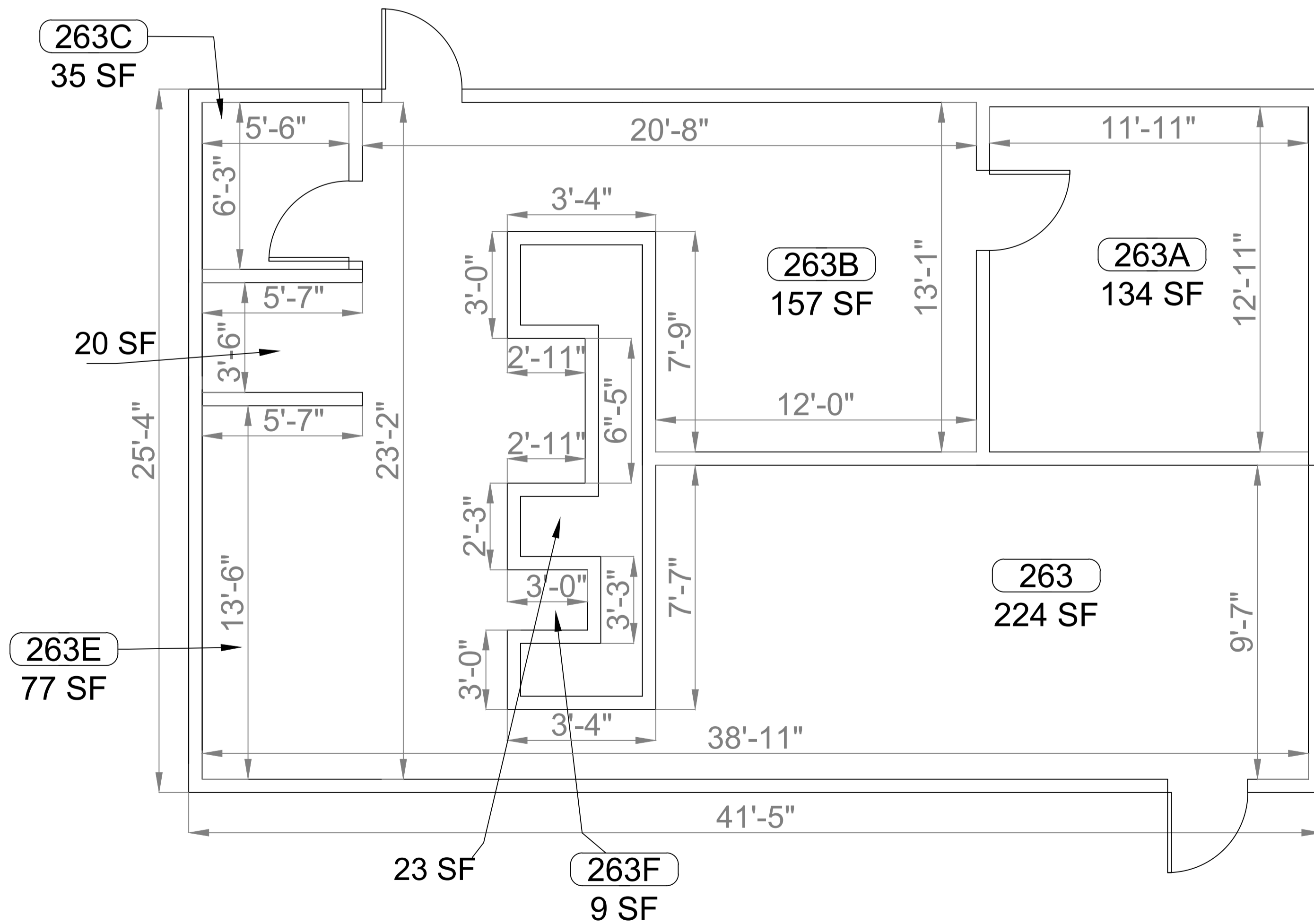
SHEET DESCRIPTION
**OVERALL
SITE PLAN**

SHEET NUMBER
S-2

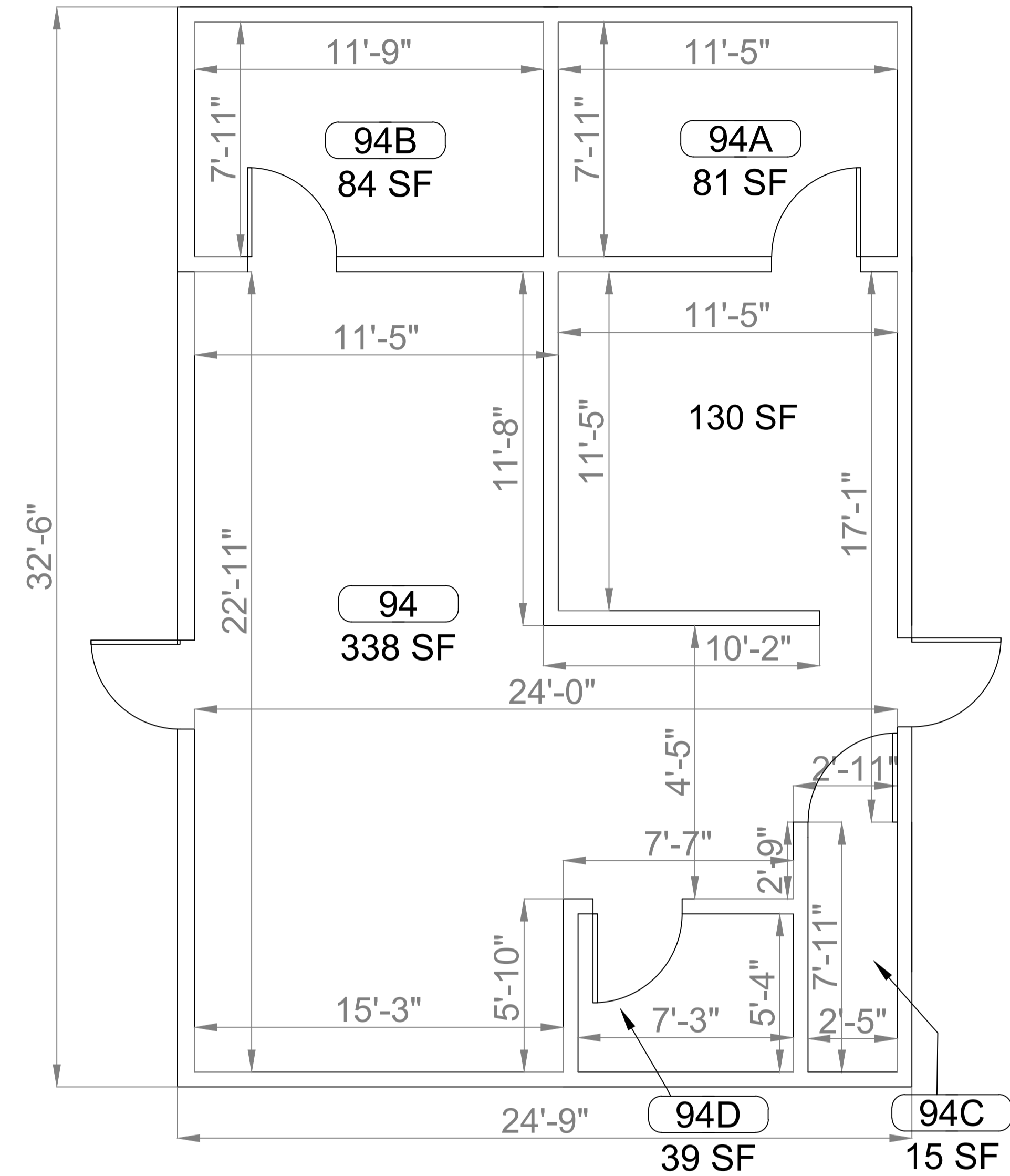
ARCHIS TECHNOLOGIES - C:\Users\KhushbuPatel\Desktop\Lake County Autocad\MIS North Tavares\ETS IT MIS NORTH TAVARES.dwg November 2, 2022 9:51:00 AM KhushbuPatel



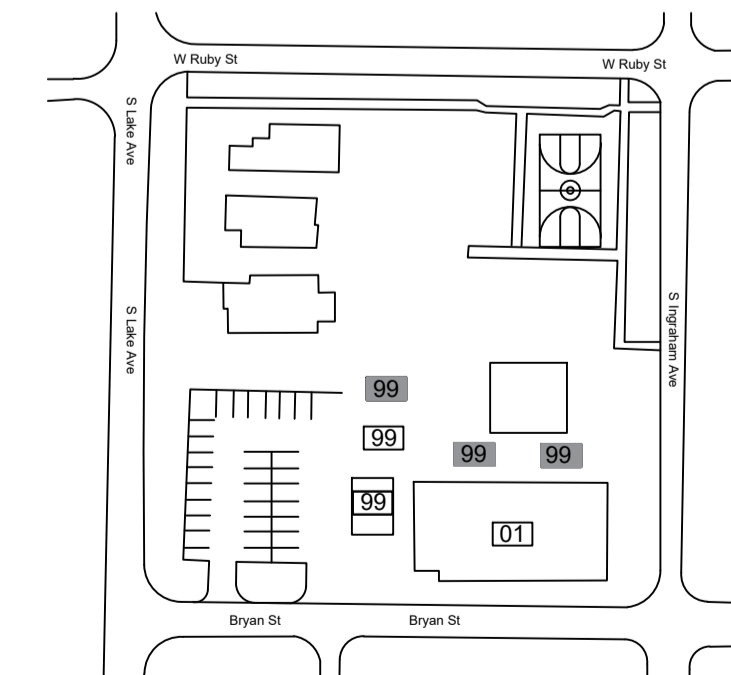
1 F.I.S.H PLAN_PORTABLE (54)
SCALE: 1/4"=1'-0"



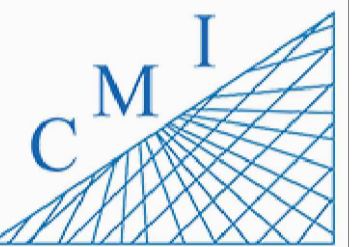
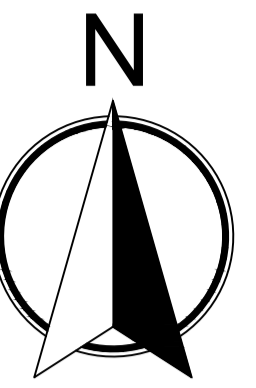
3 F.I.S.H PLAN_PORTABLE (263)
SCALE: 3/8"=1'-0"



2 F.I.S.H PLAN_PORTABLE (94)
SCALE: 3/8"=1'-0"



KEY PLAN



158 Terra Mango Loop, Suite B,
Orlando, FL 32835
Main: (407) 293-4168

PREPARED BY:



350 E. Crown Point Road, Suite 1100
Winter Garden, FL 34787
Main: 888.324.2557
Direct: 407.439.1594

Keynotes

General Notes

REV	DATE	DESCRIPTION

ETS-IT-MIS North Tavares
814 W Bryan Street Tavares
FL 32778

F.I.S.H PLAN

SHEET DESCRIPTION

**PORTABLES
(54, 94, 263)**

SHEET NUMBER

F-3