

ARCHIS TECHNOLOGIES - \\server-1\H\Archis\21-003 Beverly Shoes ES\From ISP\27-01-2020\896 Fish Survey Lake County_Beverly Shoes ES.dwg January 28, 2021 00:57:43 PC20

896 FISH SURVEY SOUTH LAKE BEVERLY SHORES ES



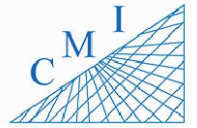
INDEX OF DRAWINGS

SHT. NO.	DESCRIPTION
SP-01	AERIAL
SP-02	SITE PLAN
B-01	BUILDING 03 & 04
B-02	BUILDING 05, 06 & 07
B-03	BUILDING 08
B-04	BUILDING 14
B-05	BUILDING 15
B-06	BUILDING 16

REV	DATE	DESCRIPTION
A	01/20/21	PRELIMINARY FISH PLAN
B		
0		
1		
2		
3		
4		
5		
6		

ARCHIS PROJECT NO.:

DRAWN BY: YP CHECKED BY: YP



158 Terra Mango Loop, Suite B,
Orlando, FL 32835
Main: (407) 293-4168

PREPARED BY:



350 E. Crown Point Road, Suite 1100
Winter Garden, FL 34787
Main: 888.324.2557
Direct: 407.439.1594

DATE _____
, PE
FL PROFESSIONAL ENGINEER LIC. # _____

**896 Fish Survey
South Lake
(FISH PLAN)**

Beverly Shores
Elementary School

SHEET DESCRIPTION
AERIAL VIEW

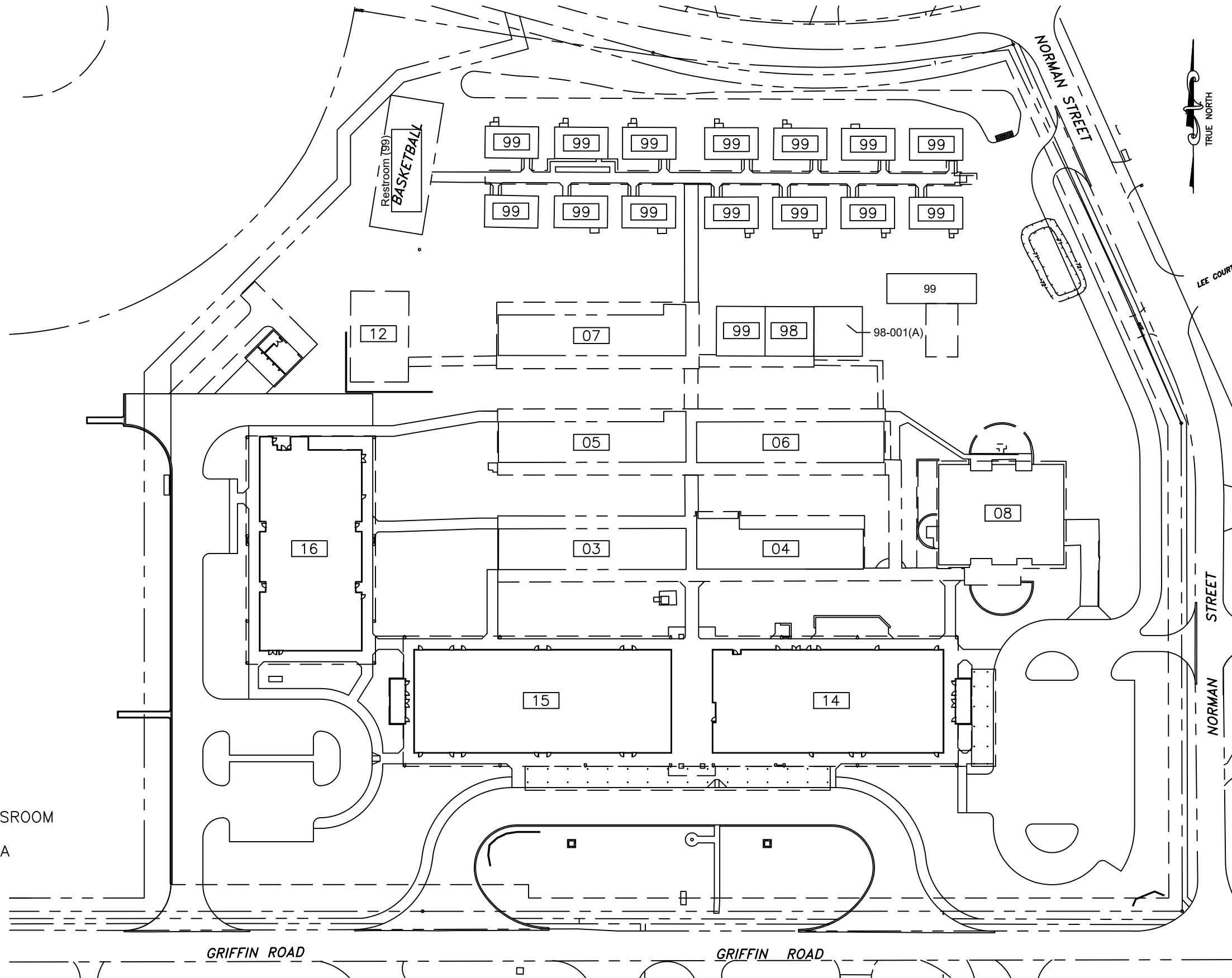
SHEET NUMBER
SP-01

1
SP-01 **AERIAL VIEW**
SCALE: N.T.S.

ARCHIS TECHNOLOGIES - \\server-1\H\Archis\21-003 Beverly Shoes ES\From ISP\27-01-2020\896 Fish Survey Lake County_Beverly Shoes ES.dwg January 28, 2021 00:57:49 PC20

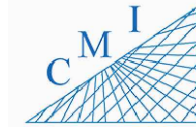
LEGEND

- 03-CLASSROOM
- 04-CLASSROOM
- 05-CLASSROOM
- 06-CLASSROOM
- 07-CLASSROOM
- 08-MEDIA CENTER
- 12-COVERED PLAY AREA
- 14-ADMINISTRATION/CLASSROOM
- 15-CLASSROOM
- 16-AUDITORIUM/CAFETERIA
- 98-PORTABLES
- 99-PORTABLES



REV	DATE	DESCRIPTION
A	01/20/21	PRELIMINARY FISH PLAN
B		
0		
1		
2		
3		
4		
5		
6		

ARCHIS PROJECT NO.:
 DRAWN BY: YP CHECKED BY: YP



158 Terra Mango Loop, Suite B,
 Orlando, FL 32835
 Main: (407) 293-4168

PREPARED BY:
ARCHIS
 350 E. Crown Point Road, Suite 1100
 Winter Garden, FL 34787
 Main: 888.324.2557
 Direct: 407.439.1594

DATE
 , PE
 FL PROFESSIONAL ENGINEER LIC. #

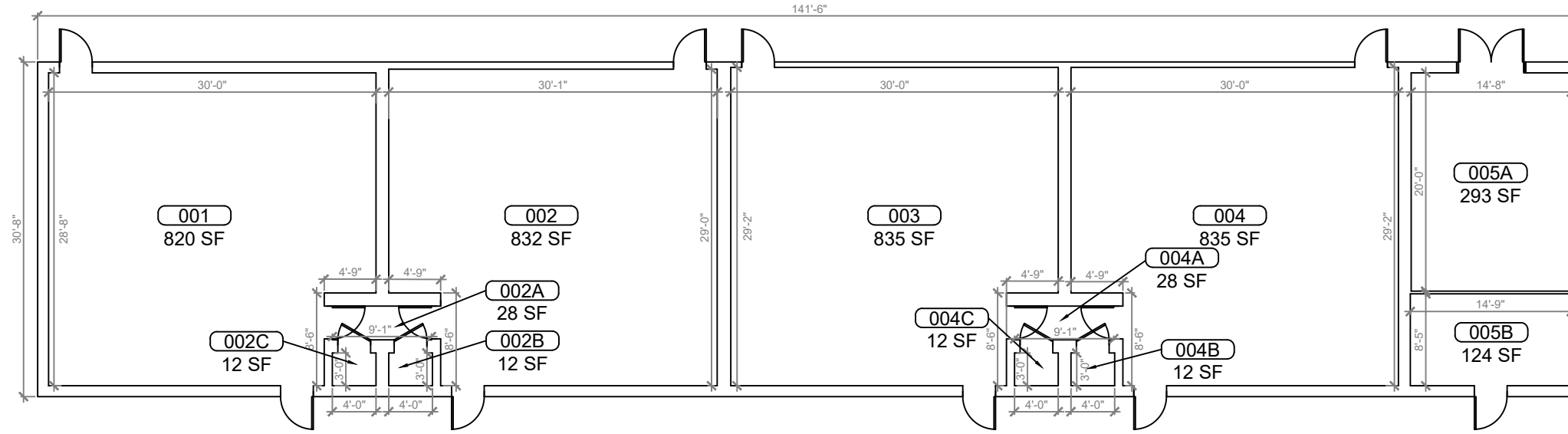
**896 Fish Survey
 South Lake
 (FISH PLAN)**

Beverly Shores
 Elementary School

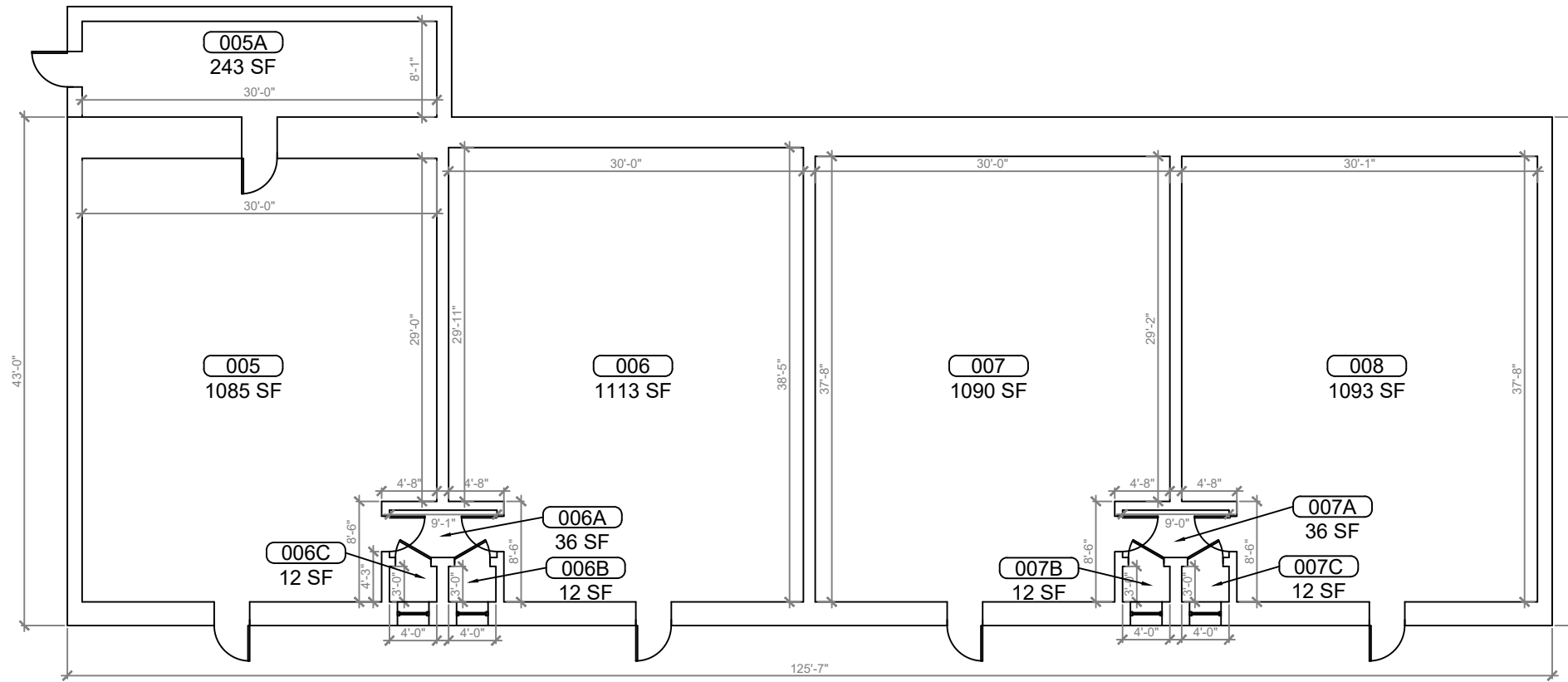
SHEET DESCRIPTION
**OVERALL SITE
 PLAN**

SHEET NUMBER
SP-02

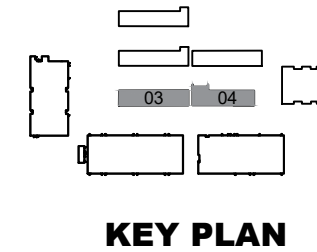
ARCHIS TECHNOLOGIES - \\server-1\H\Archis\21-003 Beverly Shoes ES\From ISP\27-01-2020\896 Fish Survey Lake County_Beverly Shoes ES.dwg January 28, 2021 00:57:52 PC20



1 BUILDING 03 FLOOR PLAN
SCALE: 3/16"=1'-0"

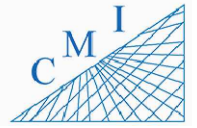


2 BUILDING 04 FLOOR PLAN
SCALE: 3/16"=1'-0"



REV	DATE	DESCRIPTION
A	01/20/21	PRELIMINARY FISH PLAN
B		
0		
1		
2		
3		
4		
5		
6		

ARCHIS PROJECT NO.:
DRAWN BY: YP CHECKED BY: YP



158 Terra Mango Loop, Suite B,
Orlando, FL 32835
Main: (407) 293-4168

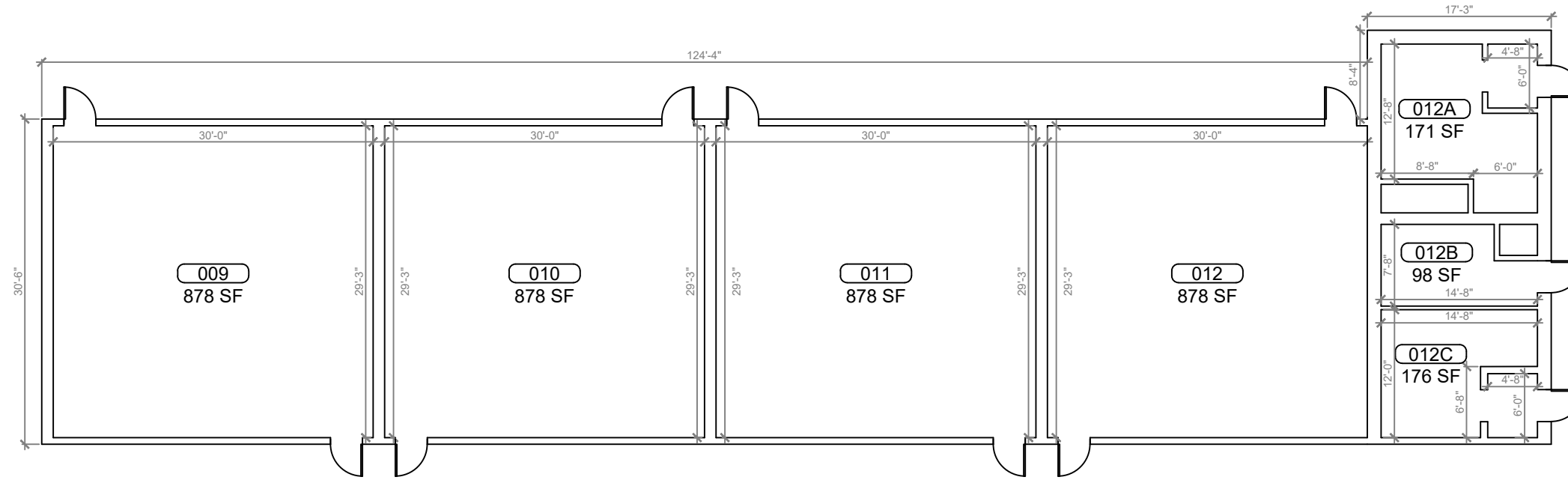
PREPARED BY:
ARCHIS
350 E. Crown Point Road, Suite 1100
Winter Garden, FL 34787
Main: 888.324.2557
Direct: 407.439.1594

DATE
, PE
FL PROFESSIONAL ENGINEER LIC. #

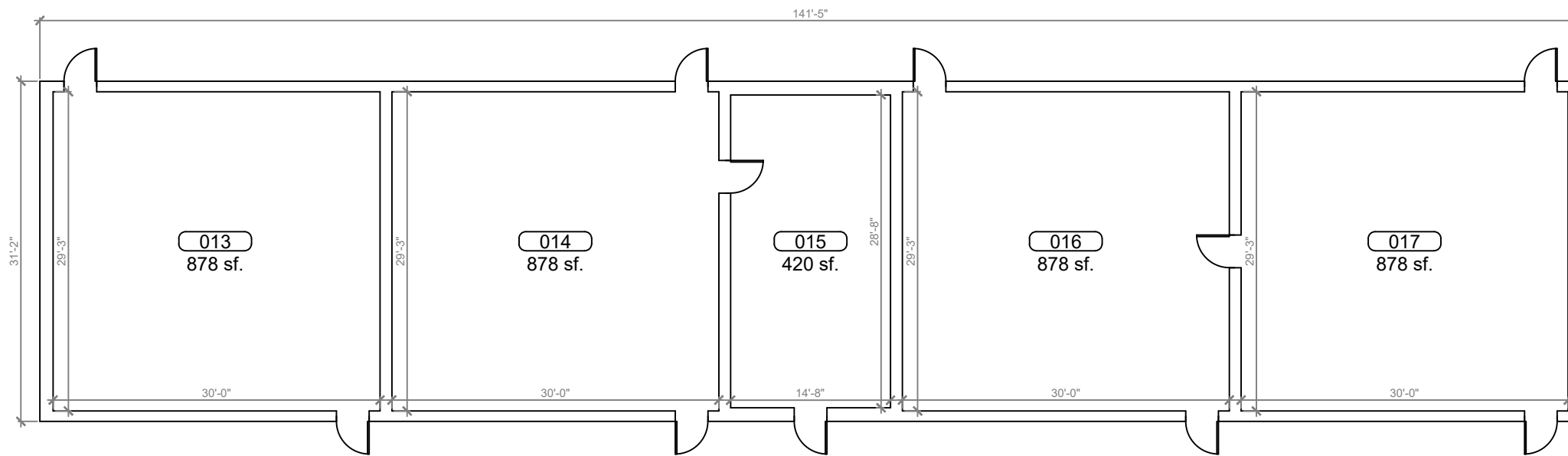
**896 Fish Survey
South Lake
(FISH PLAN)**
Beverly Shores
Elementary School

SHEET DESCRIPTION
**BUILDING
03&04**

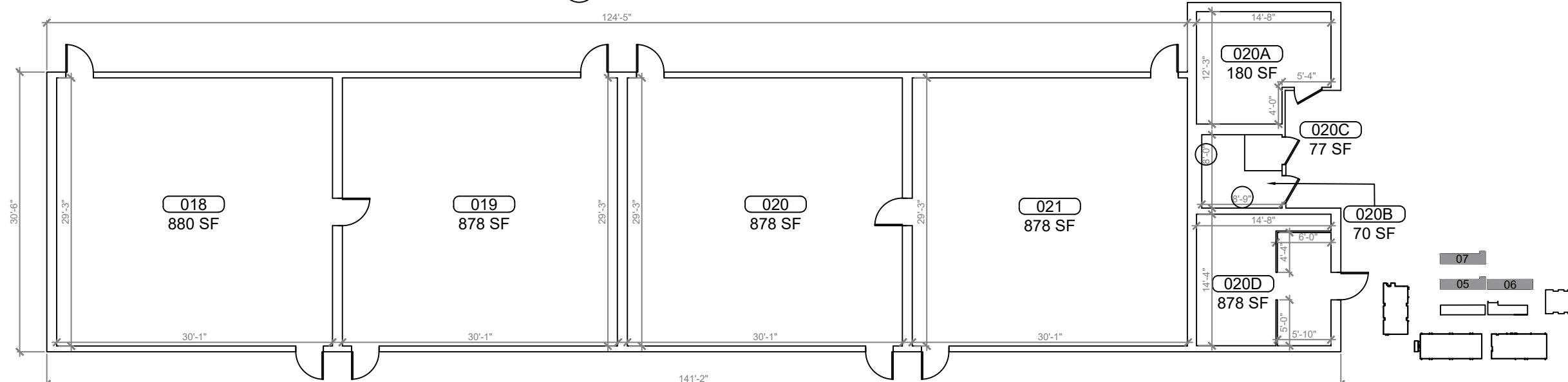
SHEET NUMBER
B-01



1 BUILDING 05 FLOOR PLAN
SCALE: 3/16"=1'-0"



2 BUILDING 06 FLOOR PLAN
SCALE: 3/16"=1'-0"



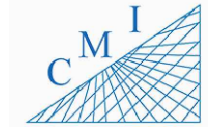
3 BUILDING 07 FLOOR PLAN
SCALE: 3/16"=1'-0"

KEY PLAN



REV	DATE	DESCRIPTION
A	01/20/21	PRELIMINARY FISH PLAN
B		
0		
1		
2		
3		
4		
5		
6		

ARCHIS PROJECT NO.:
DRAWN BY: YP
CHECKED BY: YP



158 Terra Mango Loop, Suite B,
Orlando, FL 32835
Main: (407) 293-4168

PREPARED BY:
ARCHIS
350 E. Crown Point Road, Suite 1100
Winter Garden, FL 34787
Main: 888.324.2557
Direct: 407.439.1594

DATE
, PE
FL PROFESSIONAL ENGINEER LIC. #

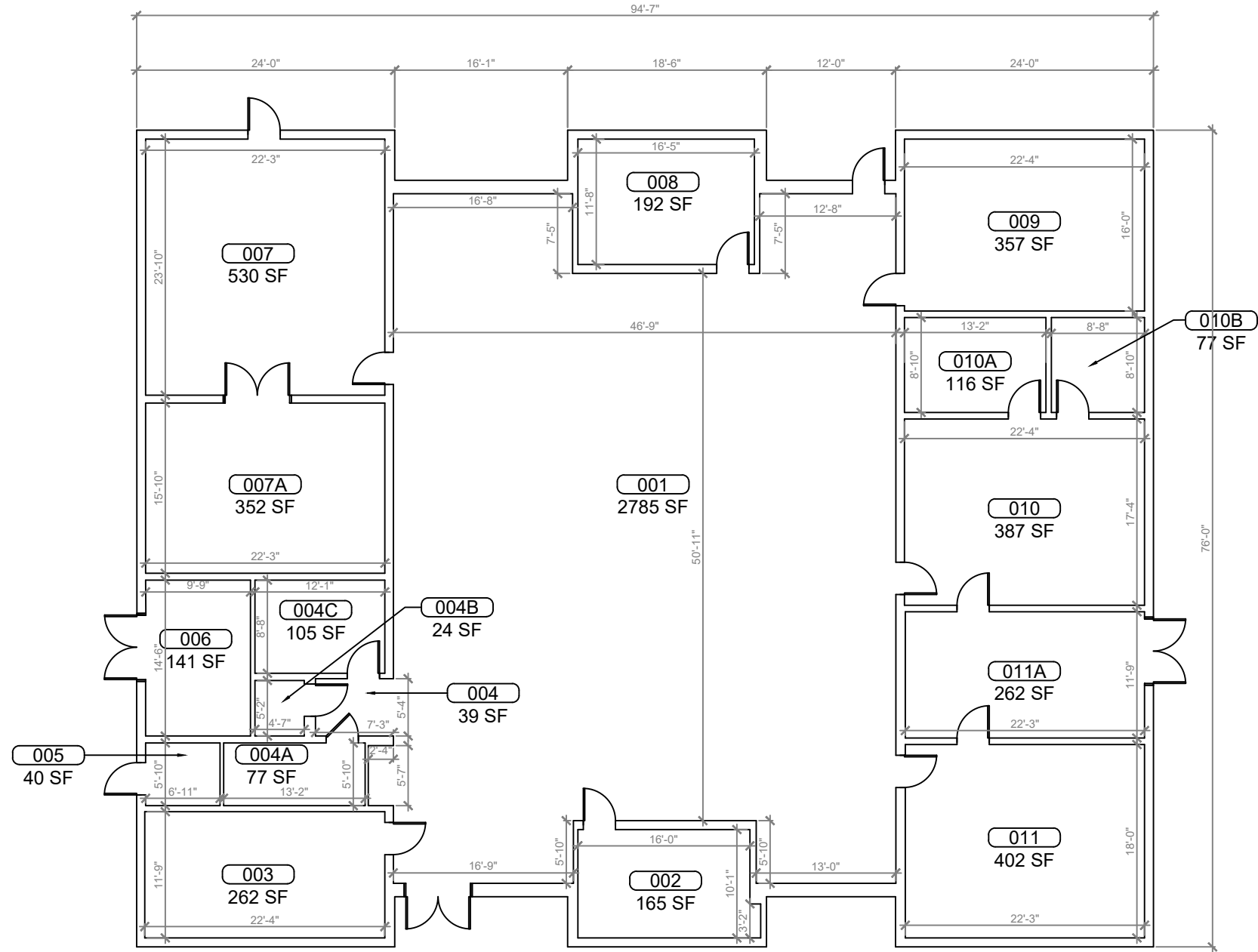
**896 Fish Survey
South Lake
(FISH PLAN)**

Beverly Shores
Elementary School

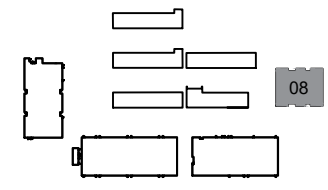
SHEET DESCRIPTION
**BUILDING 05,
06&07**

SHEET NUMBER
B-02

ARCHIS TECHNOLOGIES - \\server-1\H\Archis\21-003 Beverly Shoes ES\From ISP\27-01-2020\896 Fish Survey Lake County_Beverly Shoes ES.dwg January 28, 2021 00:58:02 PC20



1
B-03 **BUILDING 08 FLOOR PLAN**
SCALE: 3/16"=1'-0"

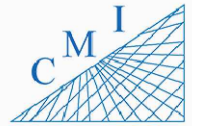


KEY PLAN



REV	DATE	DESCRIPTION
A	01/20/21	PRELIMINARY FISH PLAN
B		
0		
1		
2		
3		
4		
5		
6		

ARCHIS PROJECT NO.:
DRAWN BY: YP CHECKED BY: YP



158 Terra Mango Loop, Suite B,
Orlando, FL 32835
Main: (407) 293-4168

PREPARED BY:
ARCHIS
350 E. Crown Point Road, Suite 1100
Winter Garden, FL 34787
Main: 888.324.2557
Direct: 407.439.1594

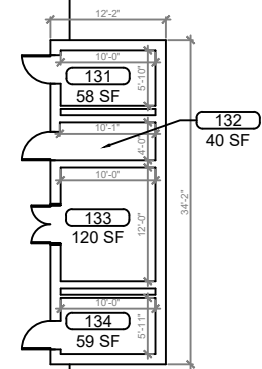
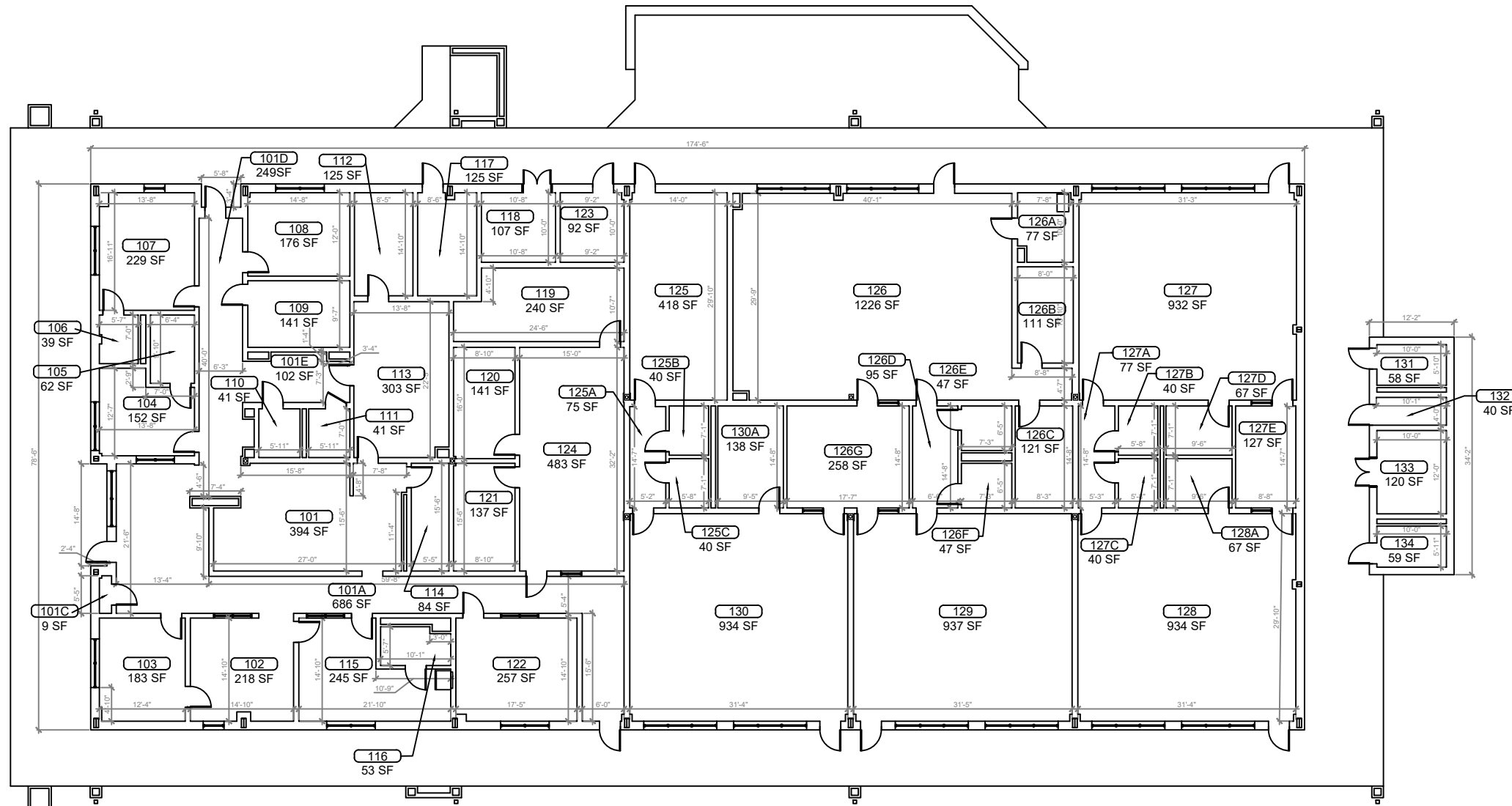
DATE
, PE
FL PROFESSIONAL ENGINEER LIC. #

**896 Fish Survey
South Lake
(FISH PLAN)**
Beverly Shores
Elementary School
SHEET DESCRIPTION

BUILDING 08

SHEET NUMBER
B-03

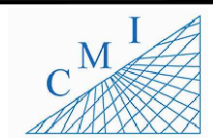
ARCHIS TECHNOLOGIES - \\server-1\H\Archis\21-003 Beverly Shores ES\From ISP\27-01-2020\896 Fish Survey Lake County_Beverly Shoes ES.dwg January 28, 2021 00:58:07 PC20



1
B-04 **BUILDING 14 FLOOR PLAN**
SCALE: 1/8"=1'-0"

REV	DATE	DESCRIPTION
A	01/20/21	PRELIMINARY FISH PLAN
B		
0		
1		
2		
3		
4		
5		
6		

ARCHIS PROJECT NO.:
DRAWN BY: YP CHECKED BY: YP



158 Terra Mango Loop, Suite B,
Orlando, FL 32835
Main: (407) 293-4168

PREPARED BY:
ARCHIS
350 E. Crown Point Road, Suite 1100
Winter Garden, FL 34787
Main: 888.324.2557
Direct: 407.439.1594

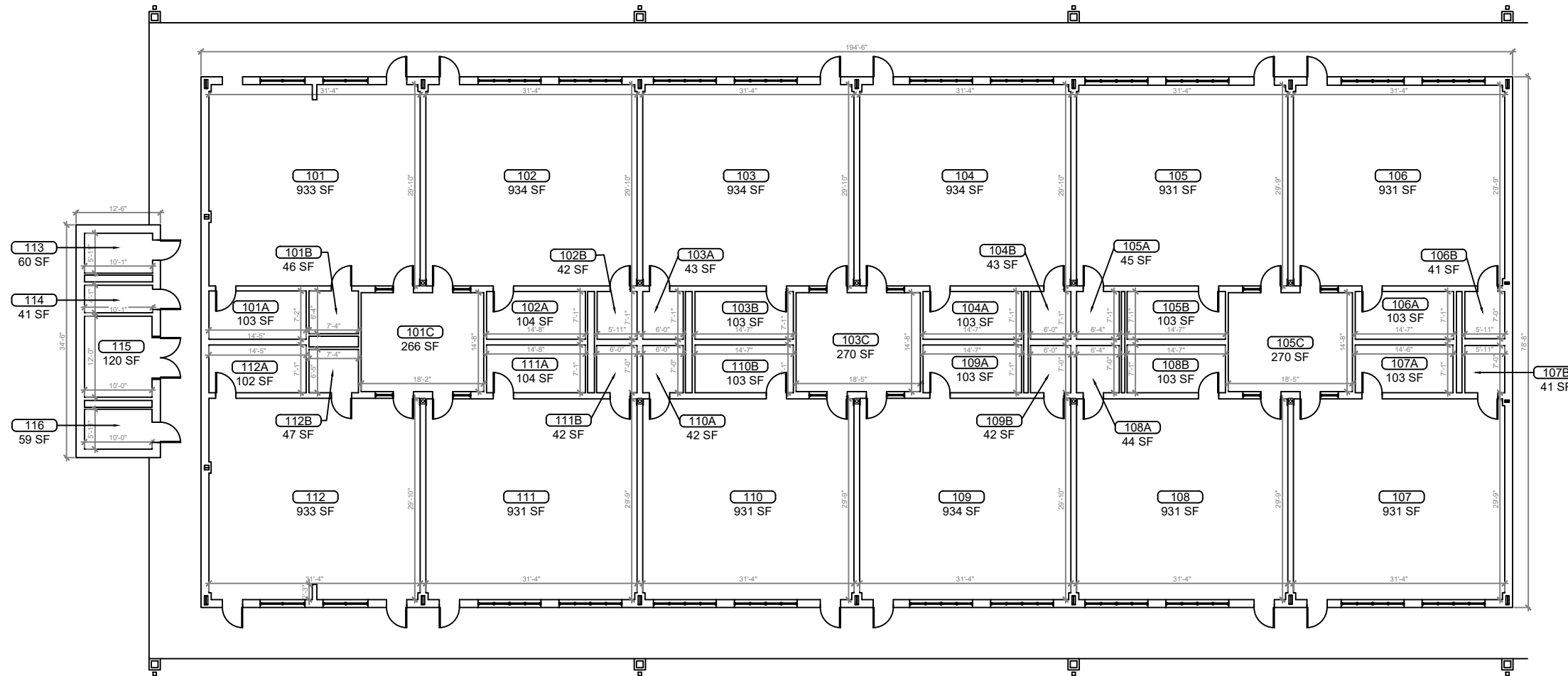
DATE _____
, PE
FL PROFESSIONAL ENGINEER LIC. # _____

**896 Fish Survey
South Lake
(FISH PLAN)**
Beverly Shores
Elementary School
SHEET DESCRIPTION

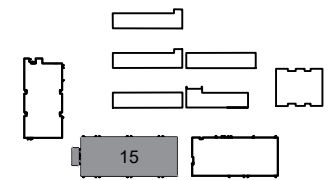
BUILDING 14

SHEET NUMBER
B-04

KEY PLAN



1 BUILDING 15 FLOOR PLAN
 B-05 SCALE: 1/8"=1'-0"



KEY PLAN

REV	DATE	DESCRIPTION
A	01/20/21	PRELIMINARY FISH PLAN
B		
0		
1		
2		
3		
4		
5		
6		

ARCHIS PROJECT NO.:
 DRAWN BY: YP CHECKED BY: YP



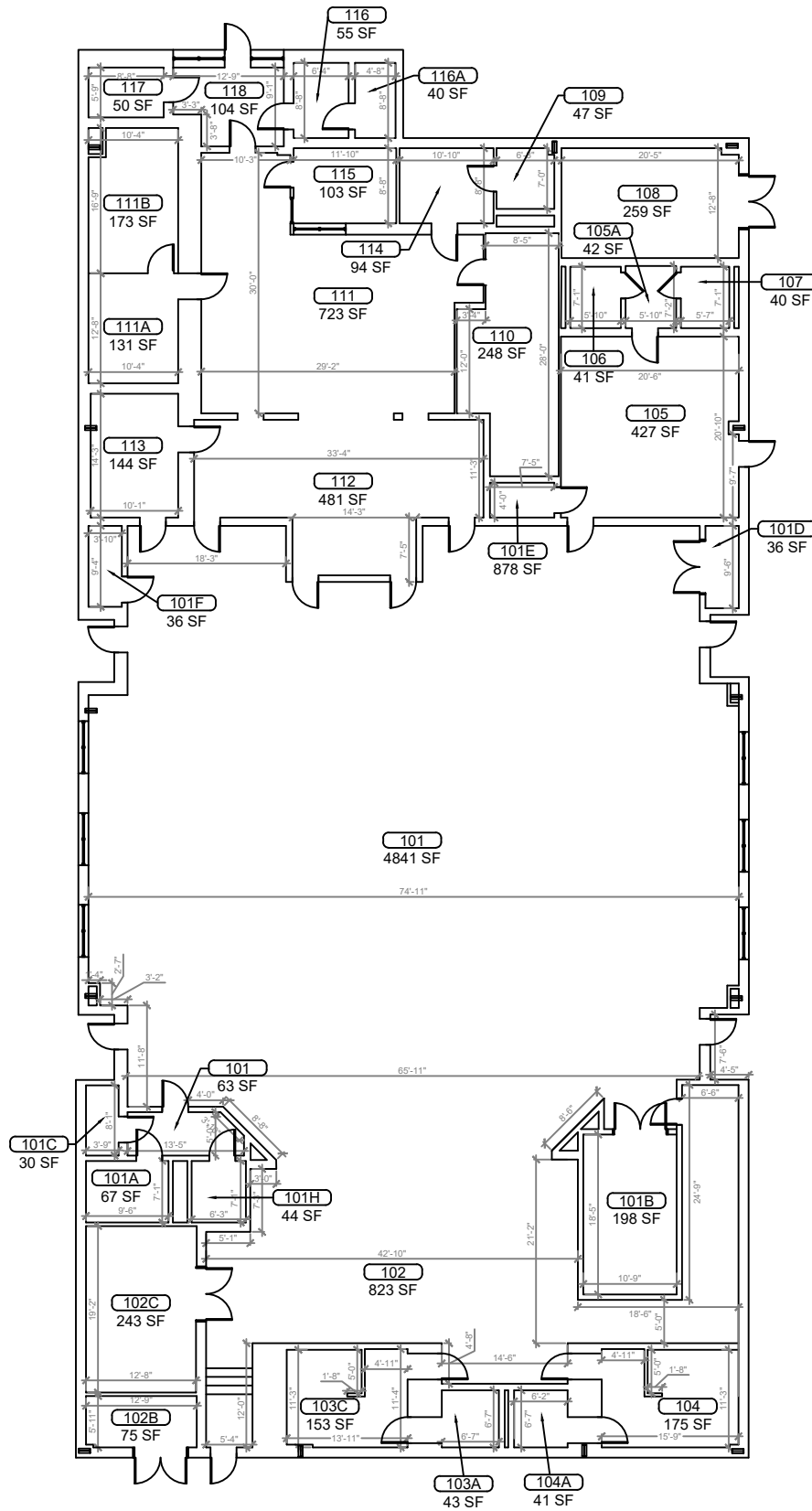
PREPARED BY:
ARCHIS
 350 E. Crown Point Road, Suite 1100
 Winter Garden, FL 34787
 Main: 888.324.2557
 Direct: 407.439.1594

DATE
 , PE
 FL PROFESSIONAL ENGINEER LIC. #

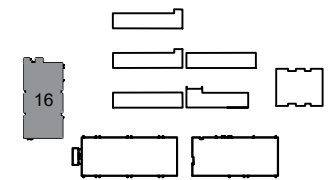
896 Fish Survey South Lake (FISH PLAN)
 Beverly Shores Elementary School
 SHEET DESCRIPTION

BUILDING 15

SHEET NUMBER
B-05



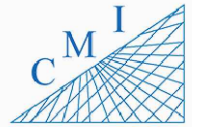
1
B-06 **BUILDING 16 FLOOR PLAN**
SCALE: 1/8"=1'-0"



KEY PLAN

REV	DATE	DESCRIPTION
A	01/20/21	PRELIMINARY FISH PLAN
B		
0		
1		
2		
3		
4		
5		
6		

ARCHIS PROJECT NO.:
DRAWN BY: YP
CHECKED BY: YP



158 Terra Mango Loop, Suite B,
Orlando, FL 32835
Main: (407) 293-4168

PREPARED BY:
ARCHIS
350 E. Crown Point Road, Suite 1100
Winter Garden, FL 34787
Main: 888.324.2557
Direct: 407.439.1594

DATE
, PE
FL PROFESSIONAL ENGINEER LIC. #

**896 Fish Survey
South Lake
(FISH PLAN)**
Beverly Shores
Elementary School
SHEET DESCRIPTION

BUILDING 16

SHEET NUMBER
B-06