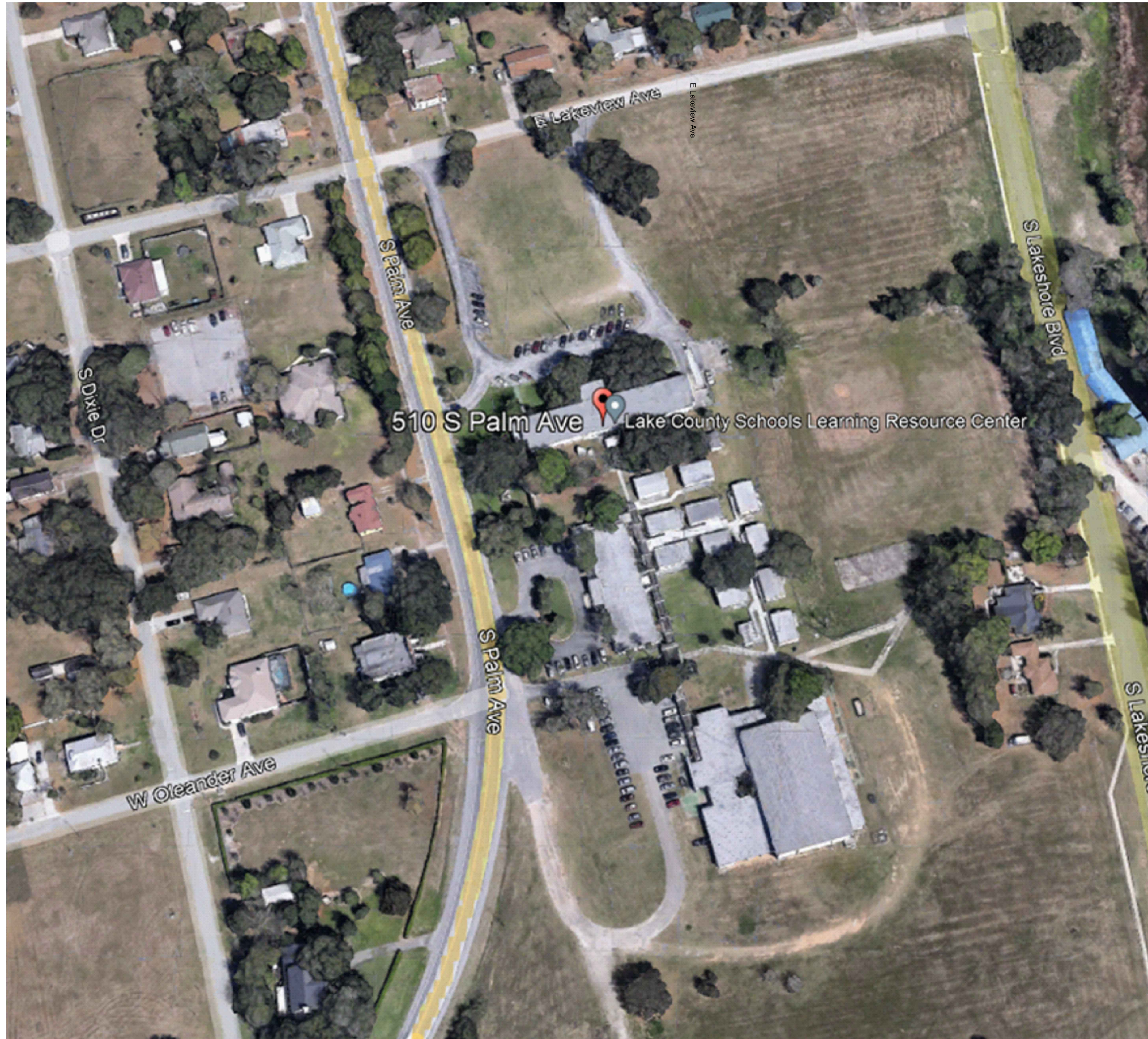
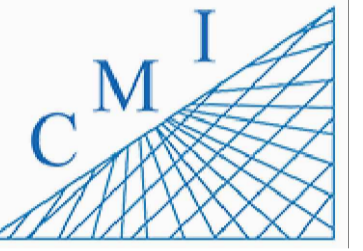
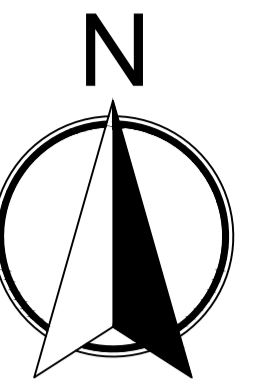


CV GRIFFIN CENTER-HOWEY IN THE HILLS



1 **F.I.S.H PLAN_AERIAL VIEW**
SCALE: N.T.S.



158 Terra Mango Loop, Suite B,
Orlando, FL 32835
Main: (407) 293-4168

PREPARED BY:



350 E. Crown Point Road, Suite 1100
Winter Garden, FL 34787
Main: 888.324.2557
Direct: 407.439.1594

Keynotes

General Notes

REV	DATE	DESCRIPTION

INDEX OF DRAWINGS	
SHT. NO.	DESCRIPTION
S-1	AERIAL VIEW
S-2	OVERALL SITE PLAN
F-1	LEARNING RESOURCE CENTER (BLDG 510) FIRST FLOOR
F-2	LEARNING RESOURCE CENTER (BLDG 510) SECOND FLOOR
F-3	STUDENT SERVICE CENTER (BLDG 512)
F-4	PORTABLES (01 & 08)
F-5	PORTABLES (02 & 19)
F-6	PORTABLES (05, 60 & 124)
F-7	PORTABLES (07, 14 & 180)
F-8	PORTABLES (129, 167 & 256)

**CV Griffin Center-Howey
in the Hills**
510 & 512 South Palm Avenue
Howey-in-the-Hills
FL 34737

F.I.S.H PLAN

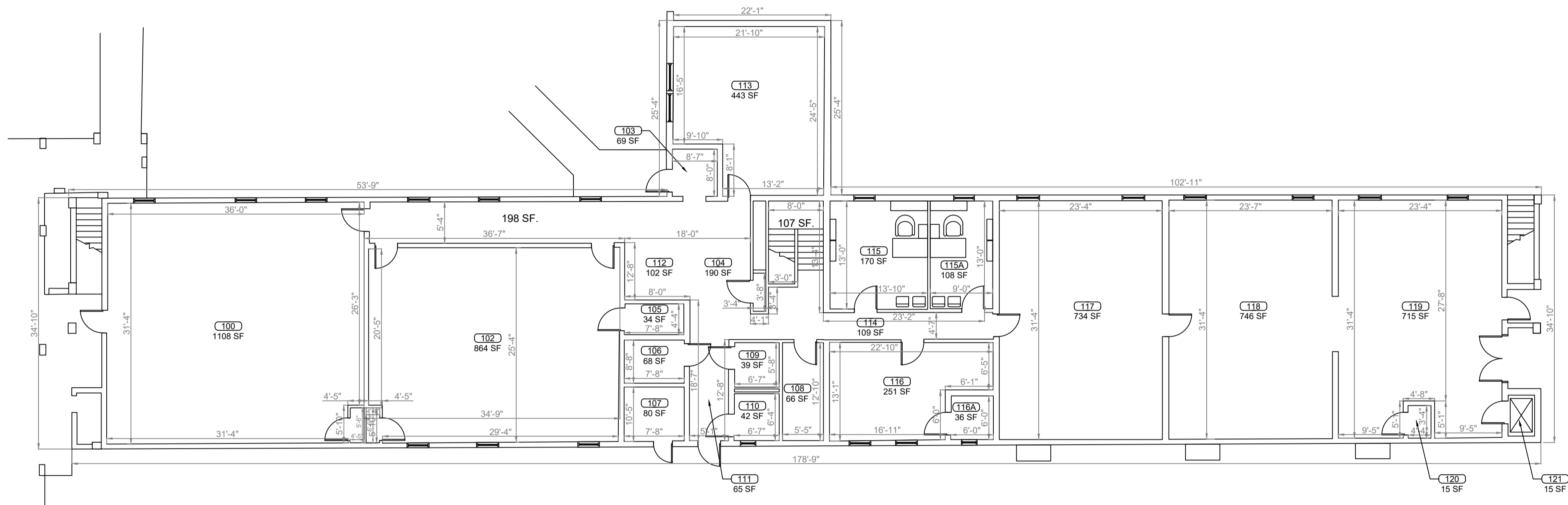
SHEET DESCRIPTION

AERIAL VIEW

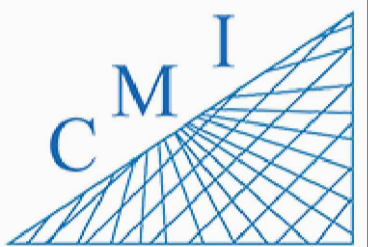
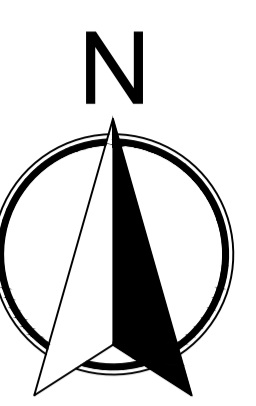
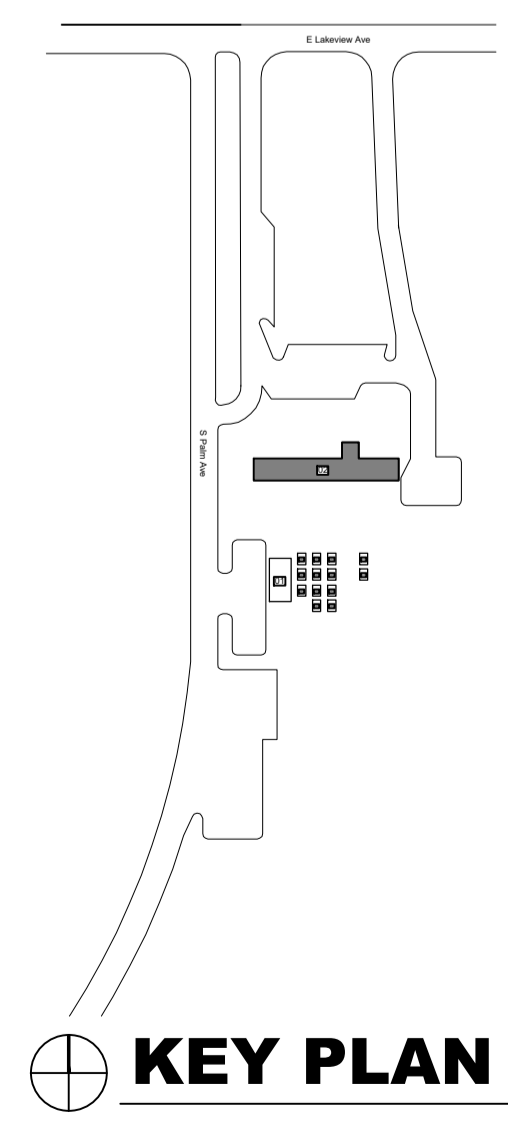
SHEET NUMBER

S-1

ARCHIS TECHNOLOGIES - C:\Users\KhushbuPatel\Desktop\Lake County Autocad\CV Griffin Center-Howey\New Folder (5)\CV Griffin Education Center.dwg November 15, 2022 2:32:46 PM KhushbuPatel



1 F.I.S.H PLAN_LEARNING RESOURCE CENTER (BLDG 510) FIRST FLOOR
 SCALE: 1/8"=1'-0"



158 Terra Mango Loop, Suite B,
 Orlando, FL 32835
 Main: (407) 293-4168

PREPARED BY:



350 E. Crown Point Road, Suite 1100
 Winter Garden, FL 34787
 Main: 888.324.2557
 Direct: 407.439.1594

Keynotes

General Notes

REV	DATE	DESCRIPTION

**CV Griffin Center-Howey
 in the Hills**
 510 & 512 South Palm Avenue
 Howey-in-the-Hills
 FL 34737

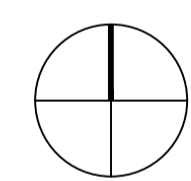
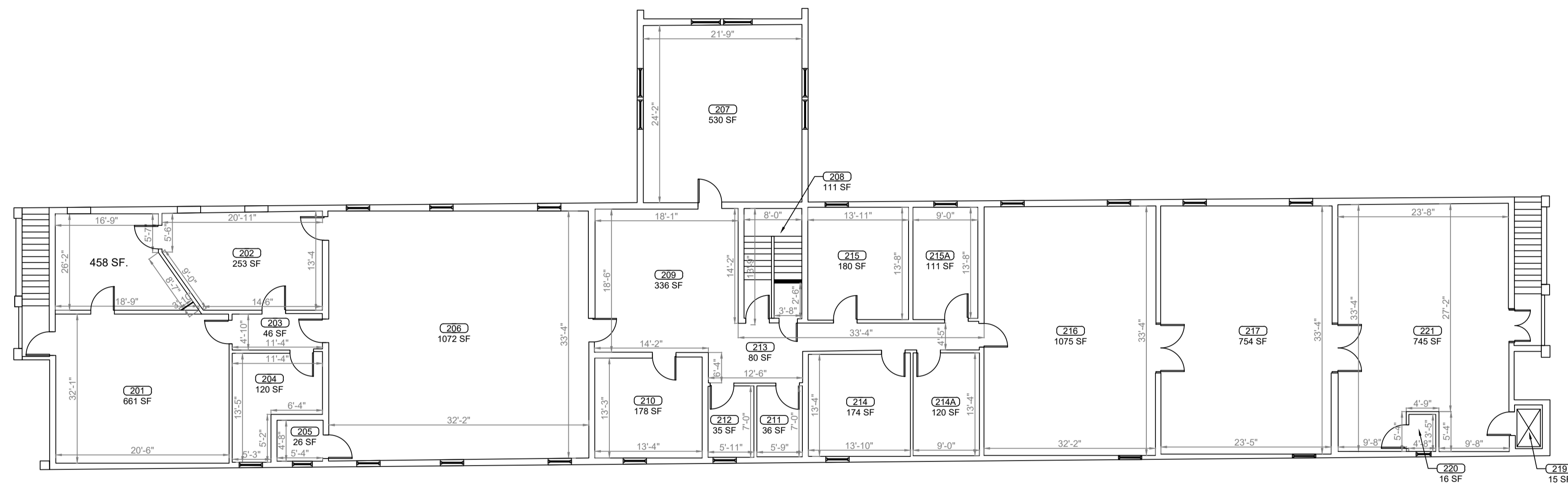
F.I.S.H PLAN

SHEET DESCRIPTION
**LEARNING
 RESOURCE CENTER
 (BLDG 510)
 FIRST FLOOR**

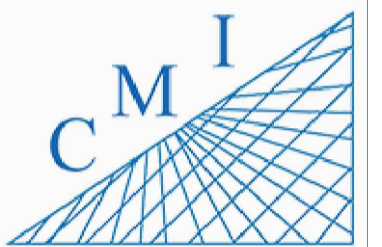
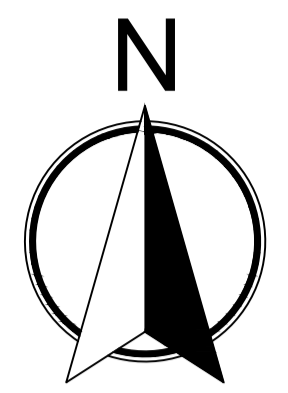
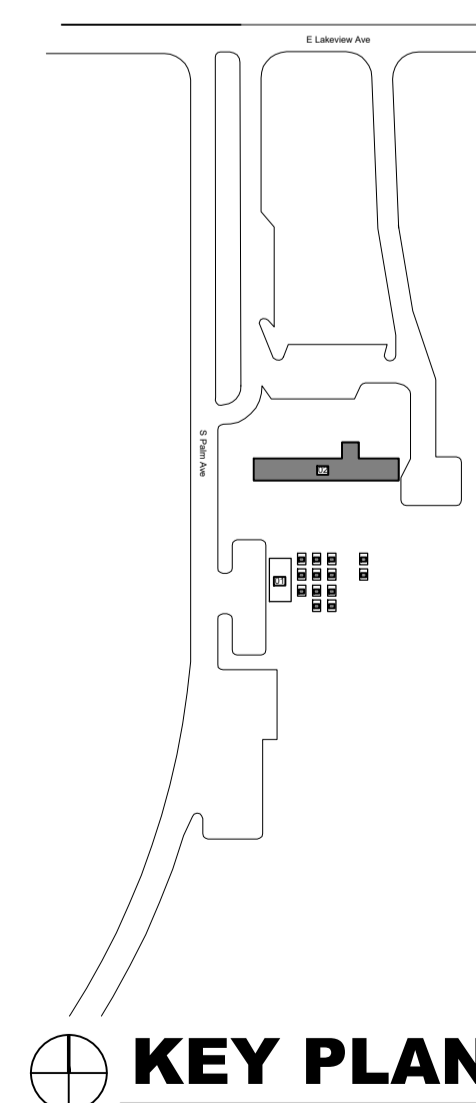
SHEET NUMBER

F-1

ARCHIS TECHNOLOGIES - C:\Users\KhushbuPatel\Desktop\Lake County Autocad\CV Griffin Center-Howey\New Folder (5)\CV Griffin Education Center.dwg November 15, 2022 2:32:47 PM KhushbuPatel



1 F.I.S.H PLAN_LEARNING RESOURCE CENTER (BLDG 510) SECOND FLOOR
SCALE: 1/8"=1'-0"



158 Terra Mango Loop, Suite B.
Orlando, FL 32835
Main: (407) 293-4168

PREPARED BY:



350 E. Crown Point Road, Suite 1100
Winter Garden, FL 34787
Main: 888.324.2557
Direct: 407.439.1594

Keynotes

General Notes

REV	DATE	DESCRIPTION

**CV Griffin Center-Howey
in the Hills**
510 & 512 South Palm Avenue
Howey-in-the-Hills
FL 34737

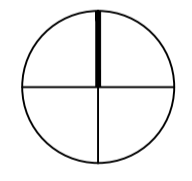
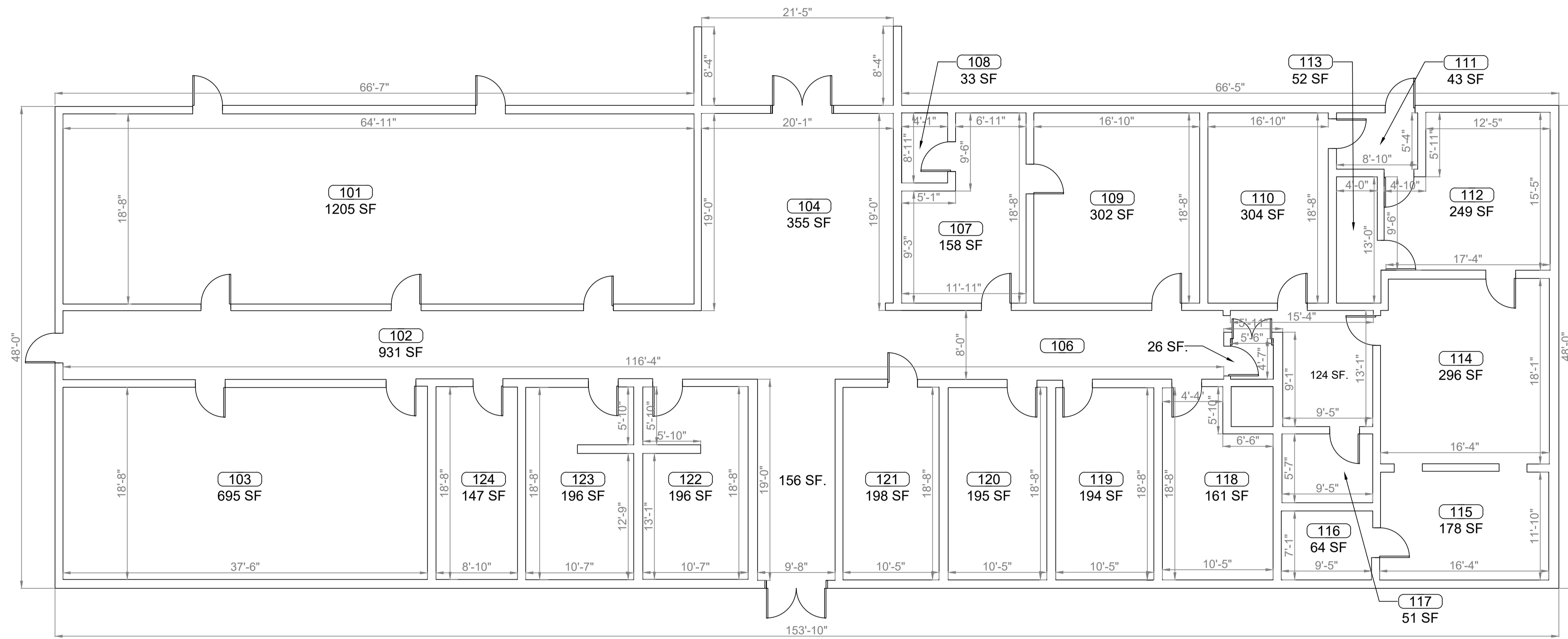
F.I.S.H PLAN

SHEET DESCRIPTION
**LEARNING
RESOURCE CENTER
(BLDG 510)
SECOND FLOOR**

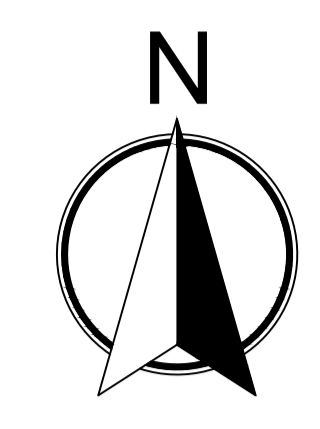
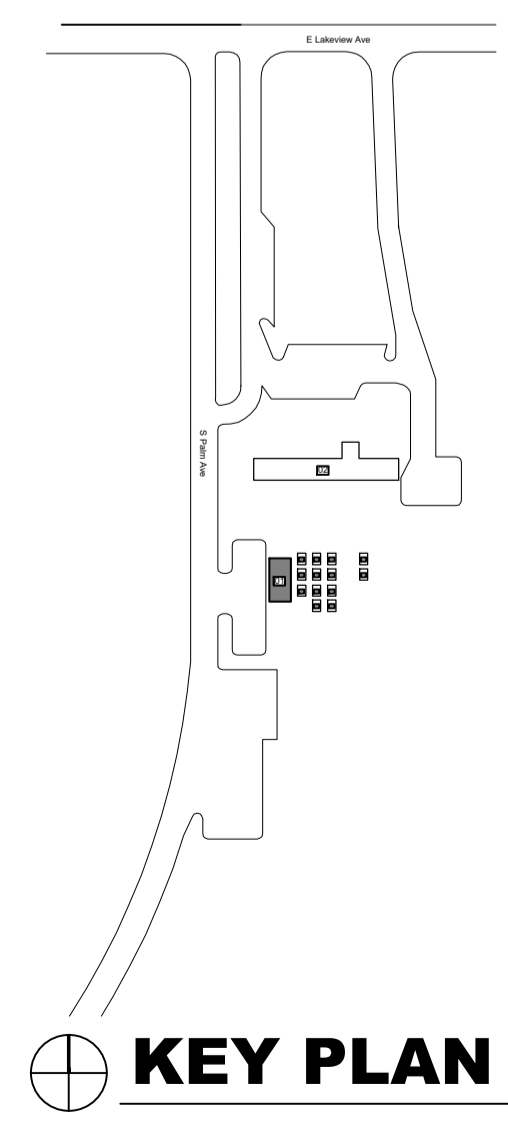
SHEET NUMBER

F-2

ARCHIS TECHNOLOGIES - C:\Users\KhushbuPatel\Desktop\Lake County Autocad\CV Griffin Center-Howey\New Folder (5)\CV Griffin Education Center.dwg November 15, 2022 2:32:47 PM KhushbuPatel



1 F.I.S.H PLAN STUDENT SERVICE CENTER (BLDG 512)
SCALE: 3/16"=1'-0"



CM I
158 Terra Mango Loop, Suite B.
Orlando, FL 32835
Main: (407) 293-4168

PREPARED BY:



350 E. Crown Point Road, Suite 1100
Winter Garden, FL 34787
Main: 888.324.2557
Direct: 407.439.1594

Keynotes

General Notes

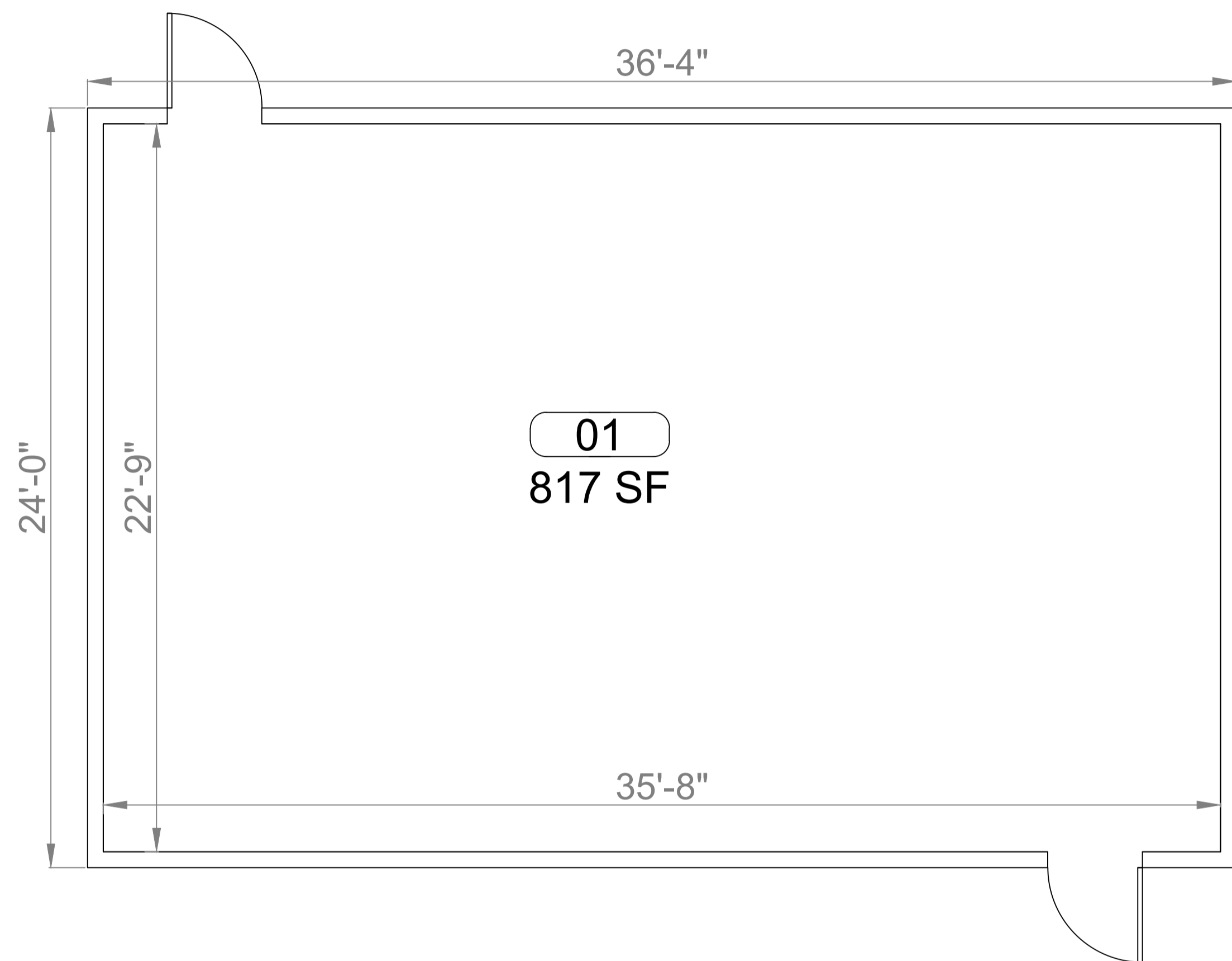
REV	DATE	DESCRIPTION

CV Griffin Center-Howey in the Hills
510 & 512 South Palm Avenue
Howey-in-the-Hills
FL 34737

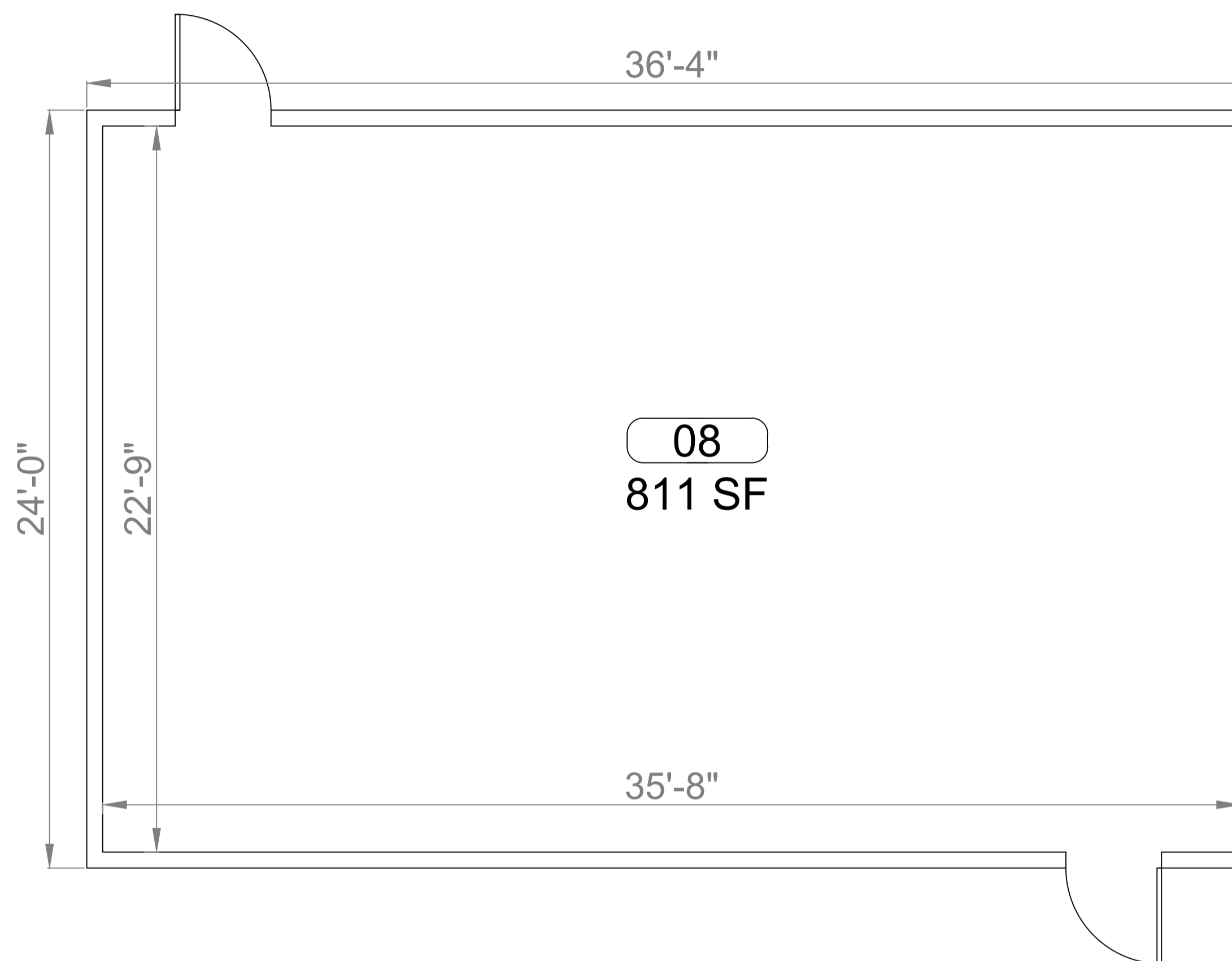
F.I.S.H PLAN
SHEET DESCRIPTION
STUDENT SERVICE CENTER (BLDG 512)

SHEET NUMBER

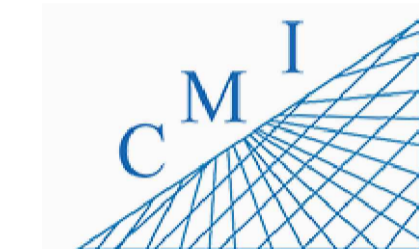
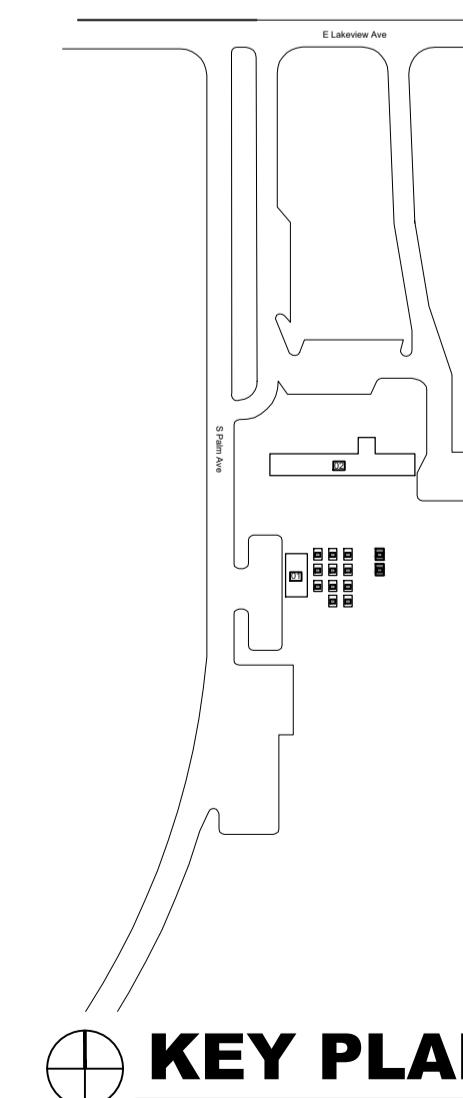
F-3



1 F.I.S.H PLAN_PORTABLE (01)
SCALE: 3/8"=1'-0"



2 F.I.S.H PLAN_PORTABLE (08)
SCALE: 3/8"=1'-0"



158 Terra Mango Loop, Suite B,
Orlando, FL 32835
Main: (407) 293-4168

PREPARED BY:



350 E. Crown Point Road, Suite 1100
Winter Garden, FL 34787
Main: 888.324.2557
Direct: 407.439.1594

Keynotes

General Notes

REV	DATE	DESCRIPTION

**CV Griffin Center-Howey
in the Hills**
510 & 512 South Palm Avenue
Howey-in-the-Hills
FL 34737

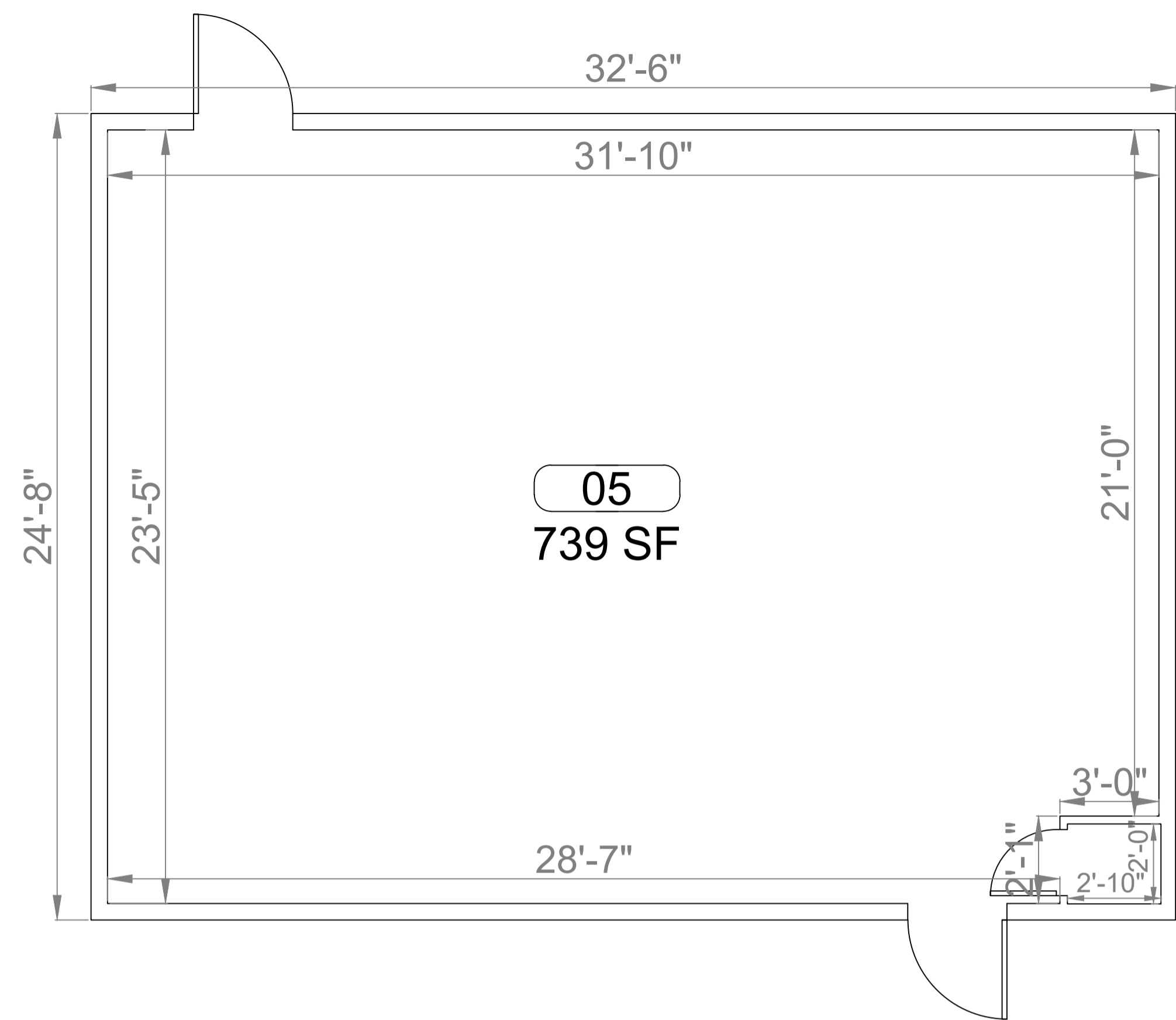
F.I.S.H PLAN

SHEET DESCRIPTION

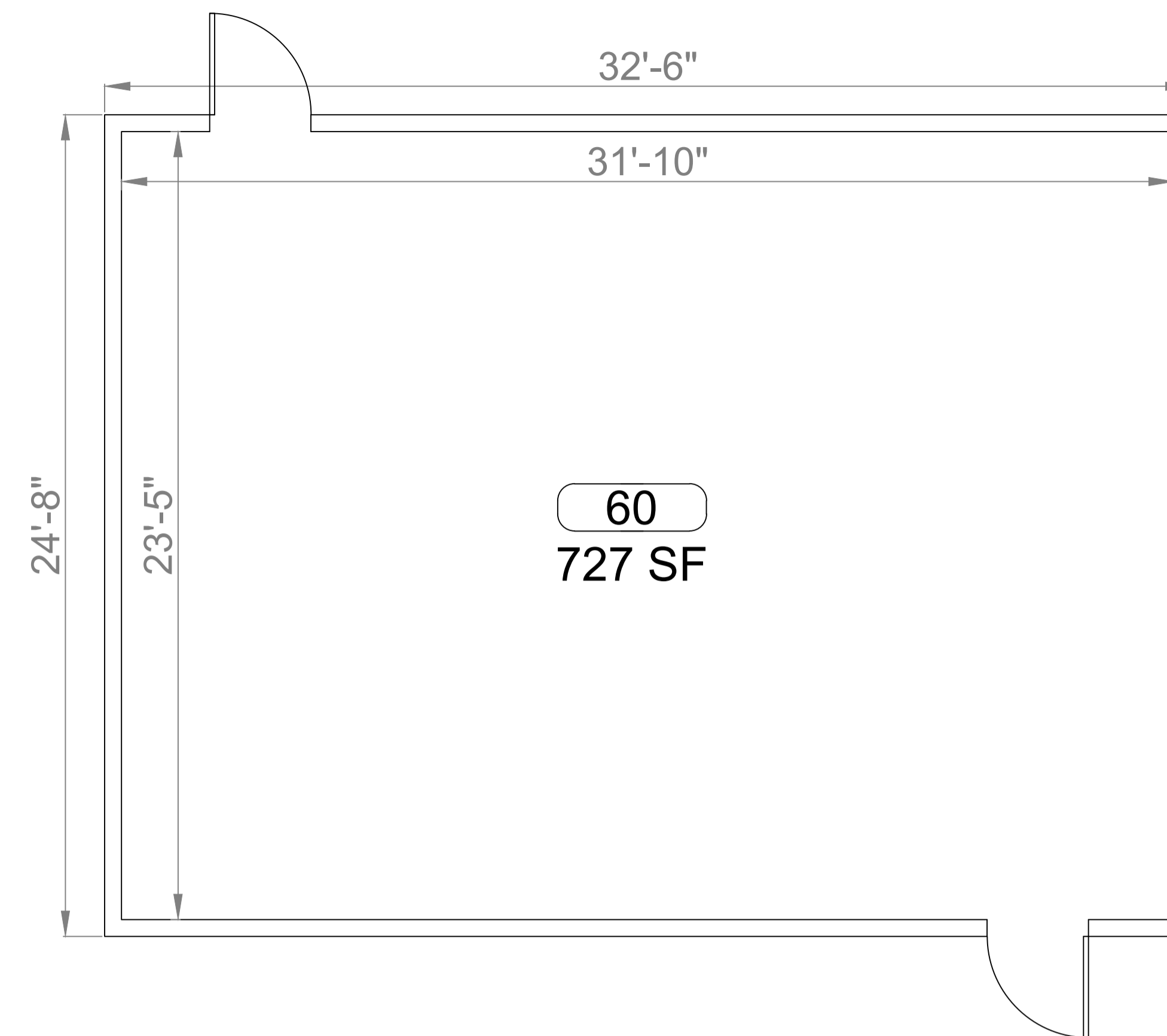
**PORTABLES
(01 & 08)**

SHEET NUMBER

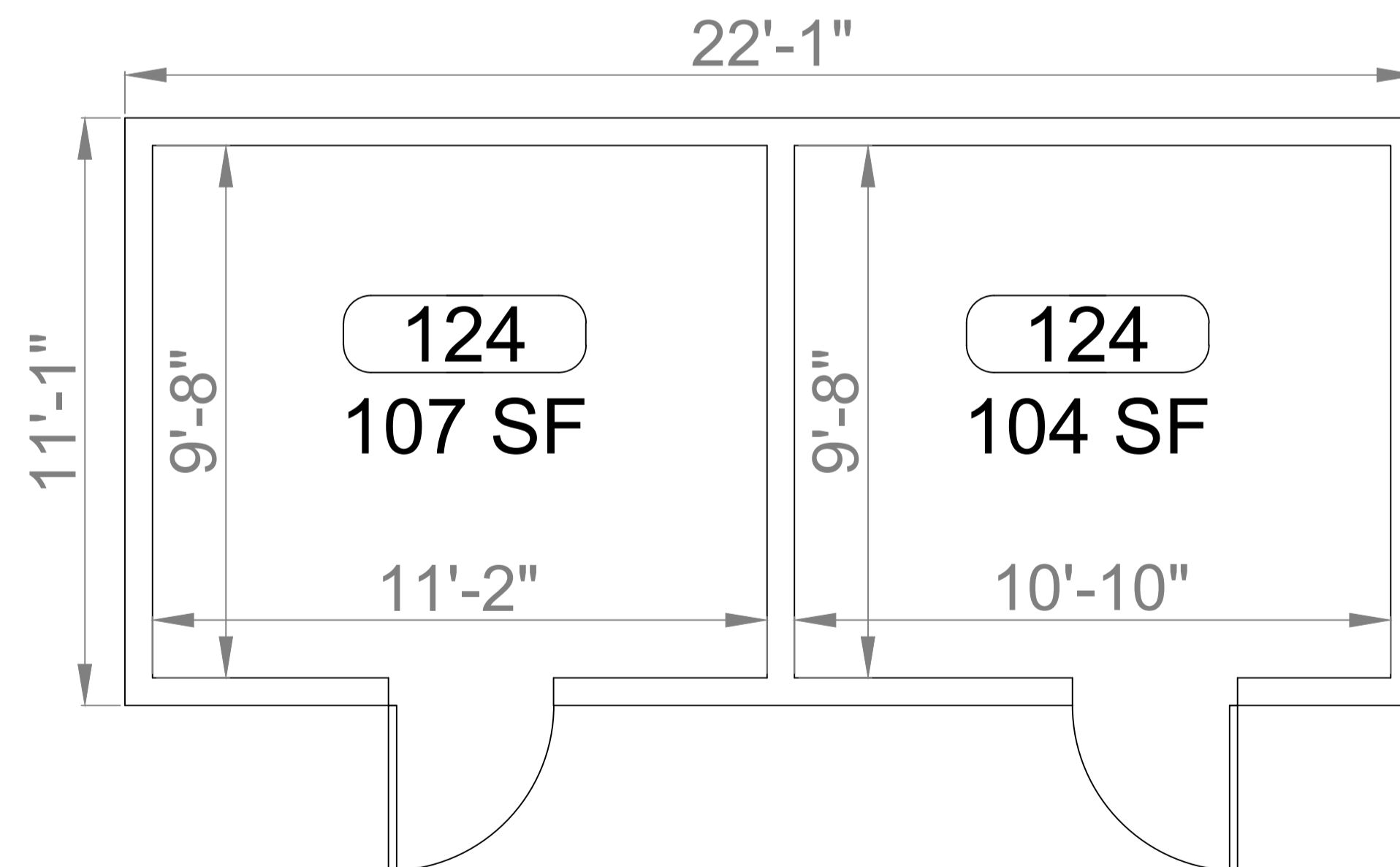
F-4



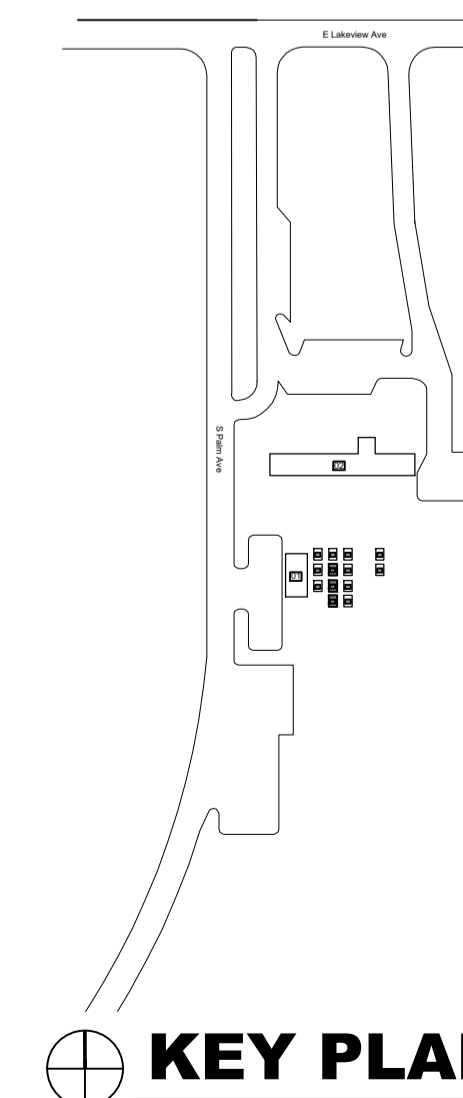
1 F.I.S.H PLAN_PORTABLE (05)
SCALE: 3/8"=1'-0"



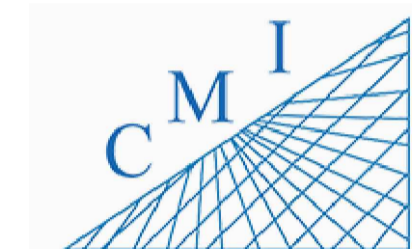
2 F.I.S.H PLAN_PORTABLE (60)
SCALE: 3/8"=1'-0"



3 F.I.S.H PLAN_PORTABLE (124)
SCALE: 1/2"=1'-0"



KEY PLAN



158 Terra Mango Loop, Suite B,
Orlando, FL 32835
Main: (407) 293-4168

PREPARED BY:



350 E. Crown Point Road, Suite 1100
Winter Garden, FL 34787
Main: 888.324.2557
Direct: 407.439.1594

Keynotes

General Notes

REV	DATE	DESCRIPTION

**CV Griffin Center-Howey
in the Hills**
510 & 512 South Palm Avenue
Howey-in-the-Hills
FL 34737

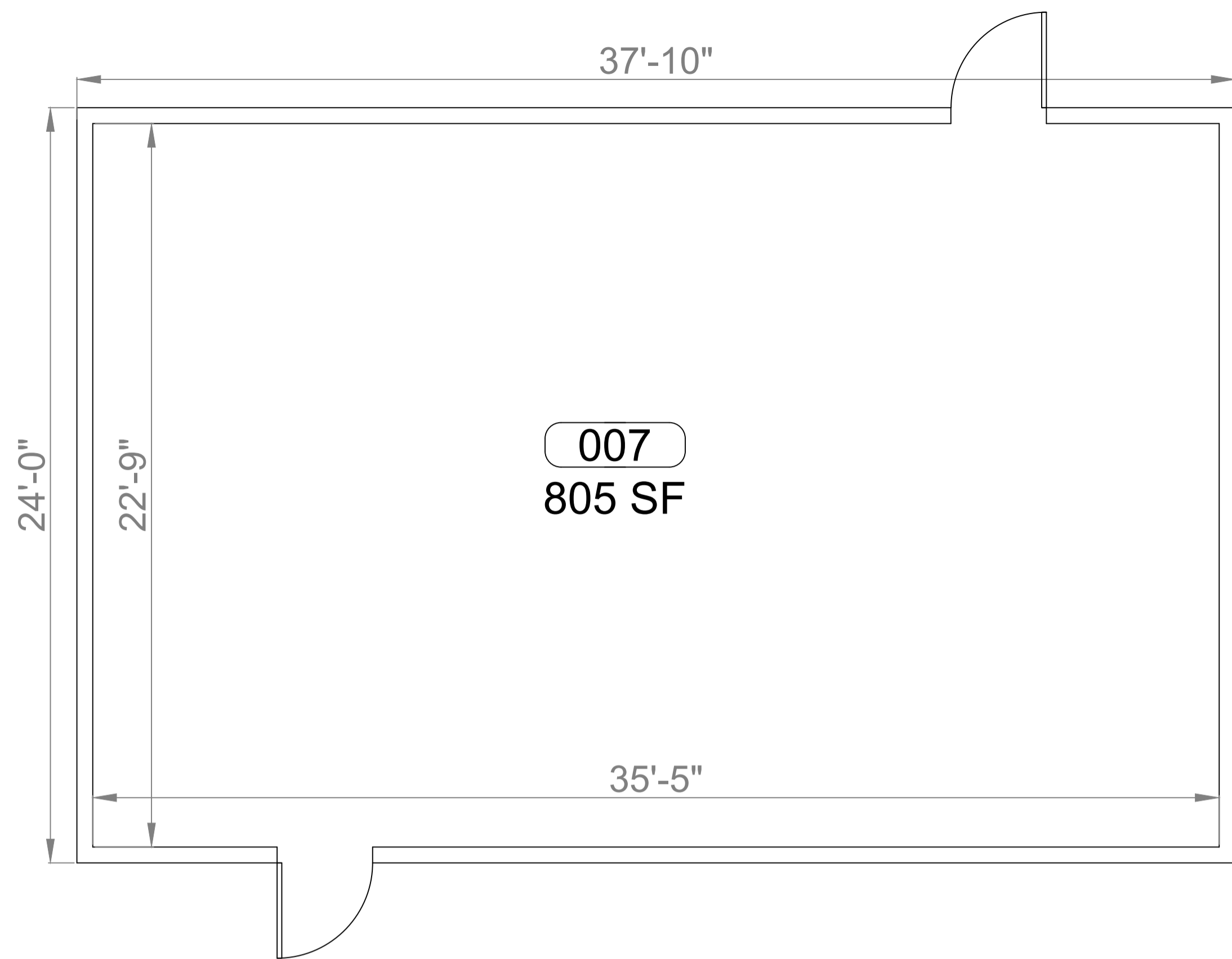
F.I.S.H PLAN

SHEET DESCRIPTION

**PORTABLES
(05, 60 & 124)**

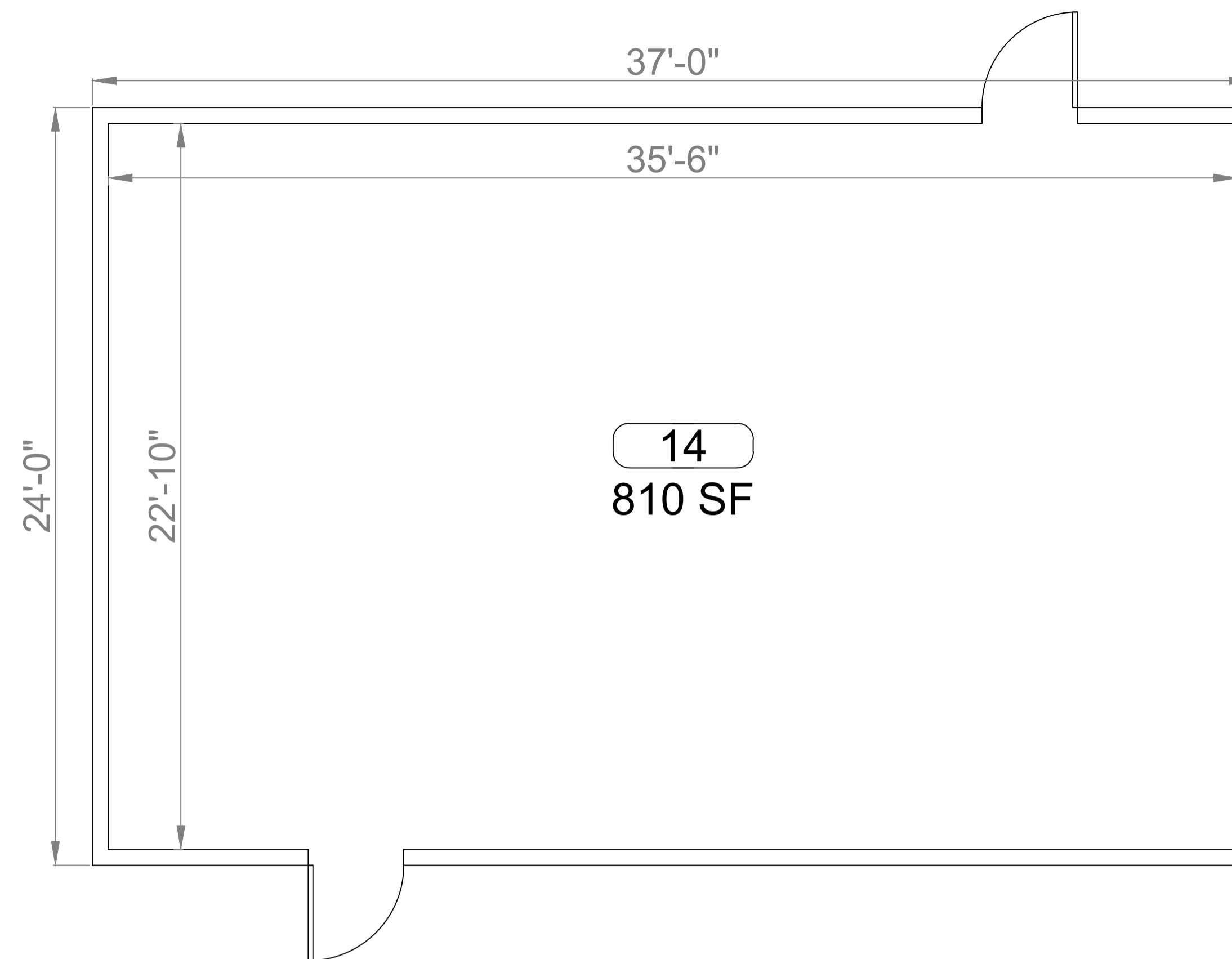
SHEET NUMBER

F-6



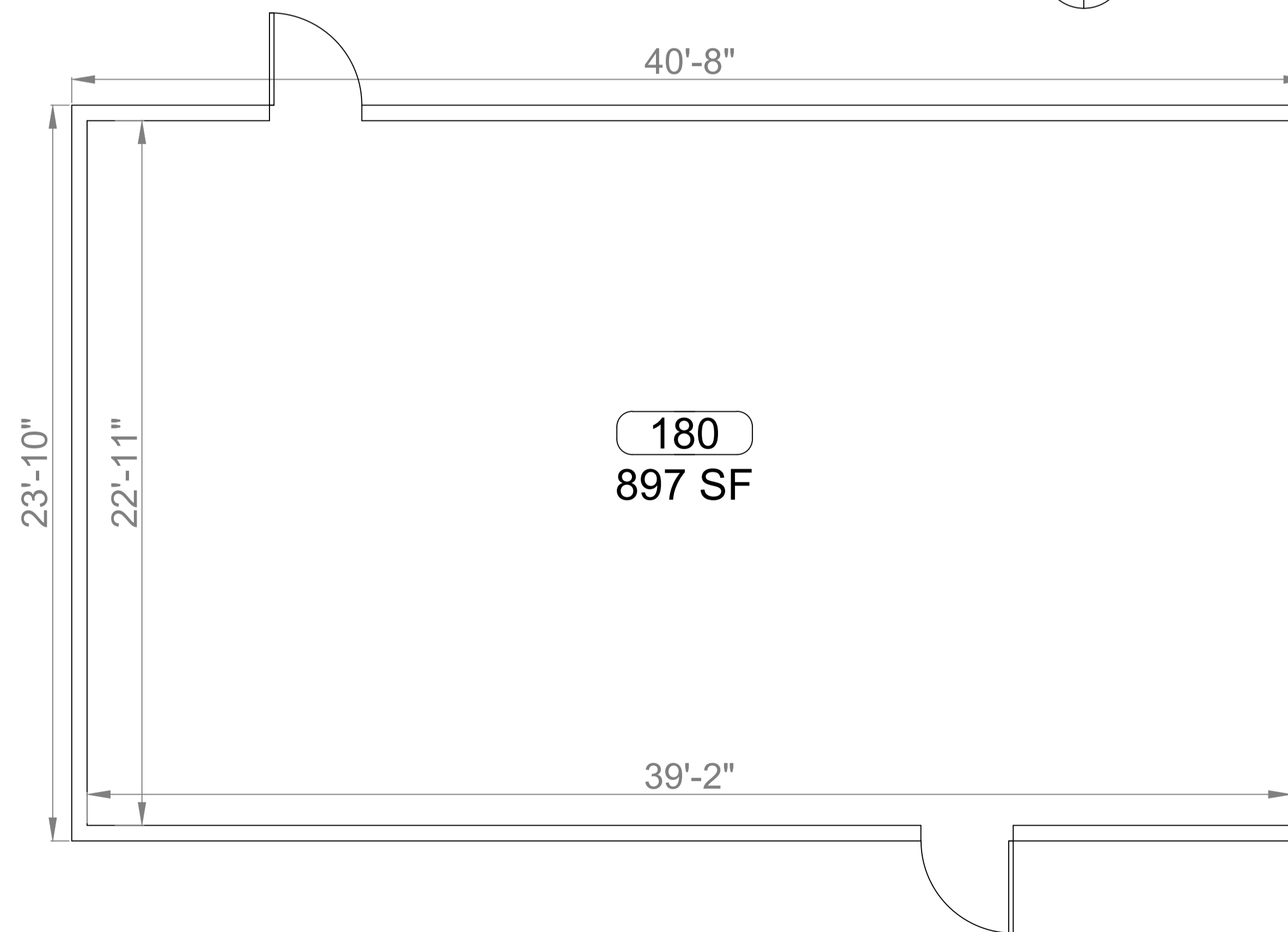
007
805 SF

1 F.I.S.H PLAN_PORTABLE (07)
SCALE: 3/8"=1'-0"



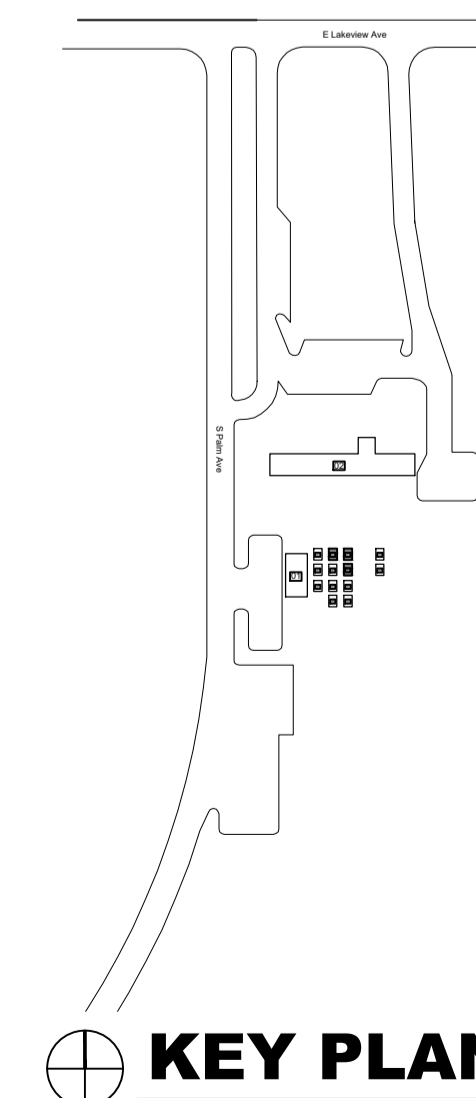
14
810 SF

2 F.I.S.H PLAN_PORTABLE (14)
SCALE: 3/8"=1'-0"

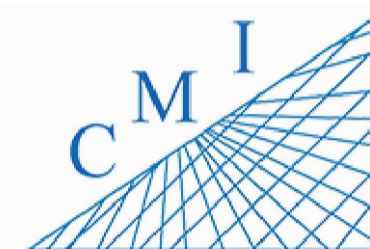
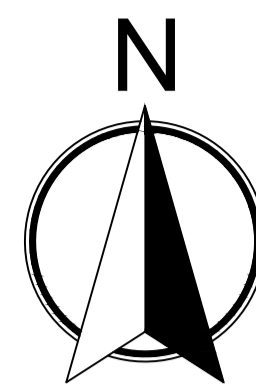


180
897 SF

3 F.I.S.H PLAN_PORTABLE (180)
SCALE: 3/8"=1'-0"



KEY PLAN



158 Terra Mango Loop, Suite B,
Orlando, FL 32835
Main: (407) 293-4168

PREPARED BY:



350 E. Crown Point Road, Suite 1100
Winter Garden, FL 34787
Main: 888.324.2557
Direct: 407.439.1594

Keynotes

General Notes

REV	DATE	DESCRIPTION

CV Griffin Center-Howey
in the Hills
510 & 512 South Palm Avenue
Howey-in-the-Hills
FL 34737

F.I.S.H PLAN

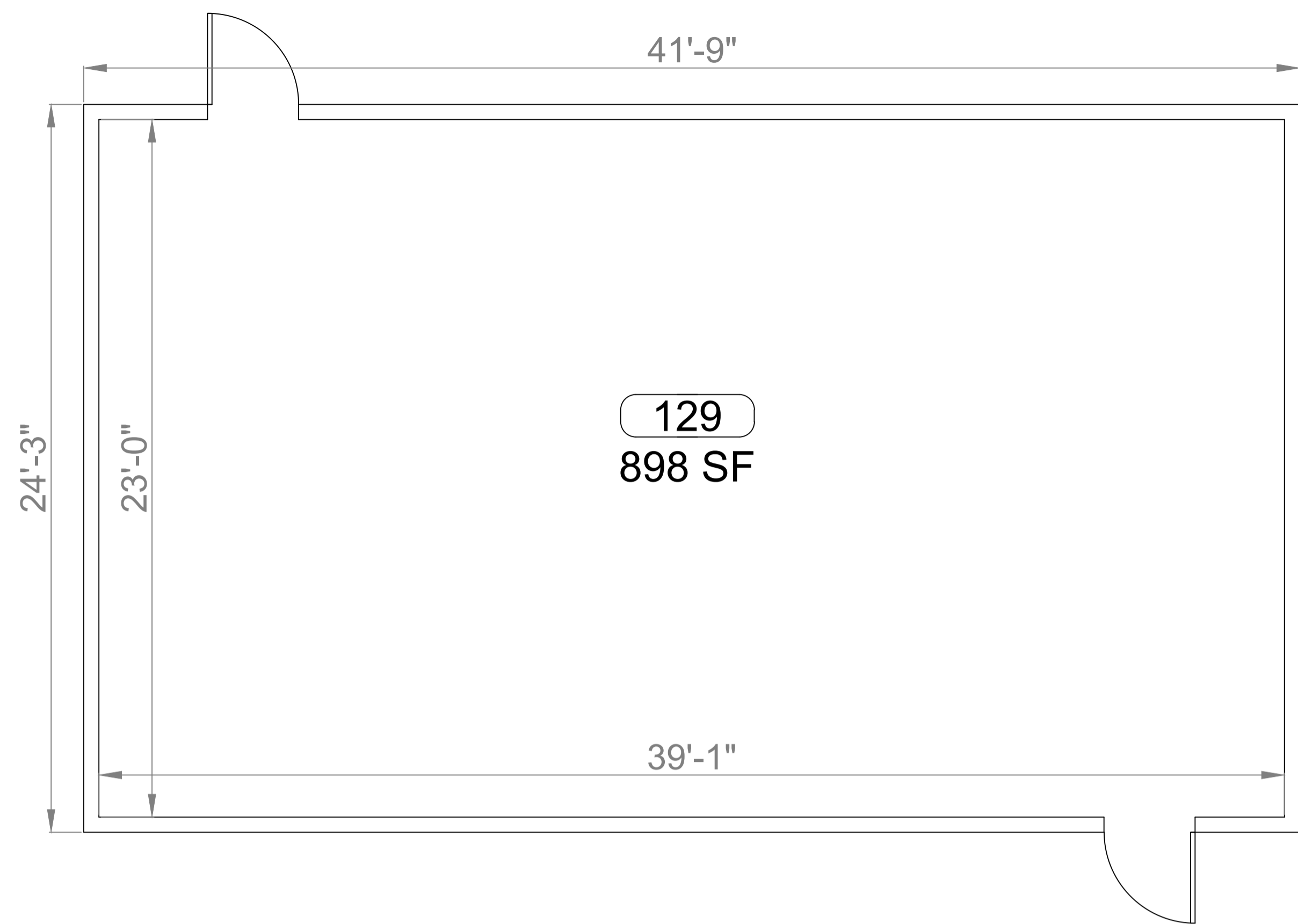
SHEET DESCRIPTION

PORTABLES
(07, 14 & 180)

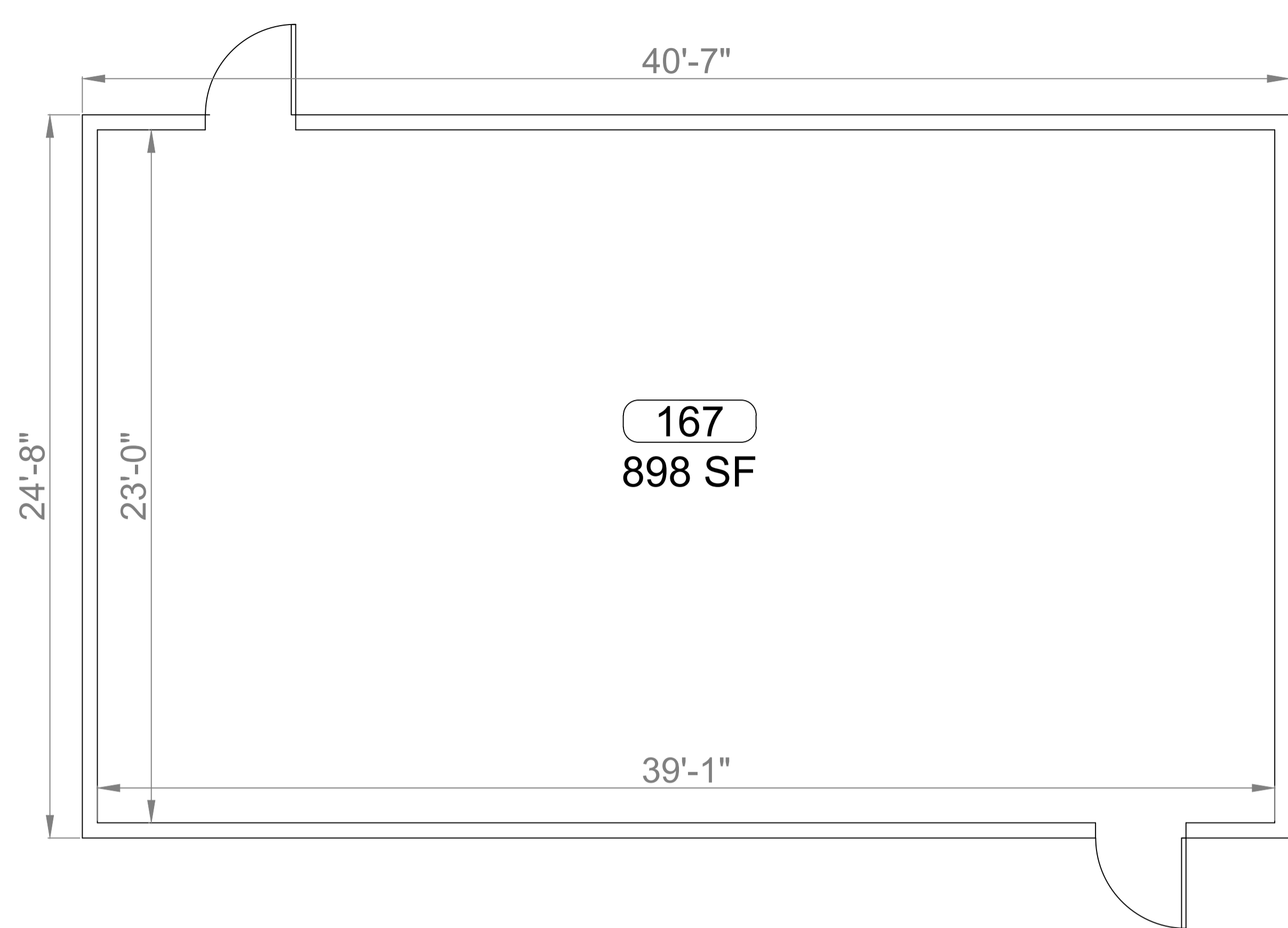
SHEET NUMBER

F-7

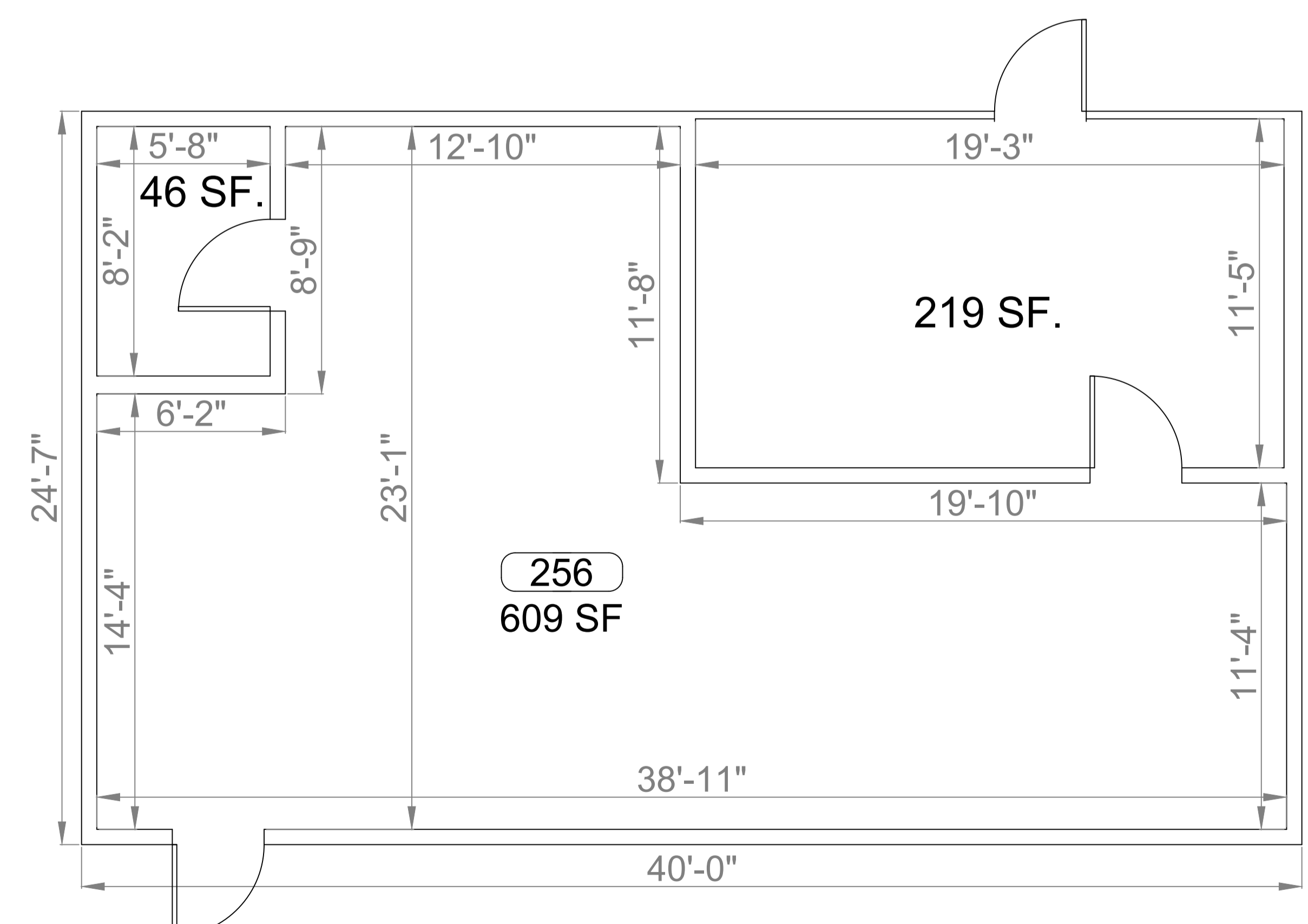
ARCHIS TECHNOLOGIES - C:\Users\KhushbuPatel\Desktop\Lake County Autocad\CV Griffin Center-Howey\New Folder (5)\CV Griffin Education Center.dwg November 15, 2022 2:32:49 PM KhushbuPatel



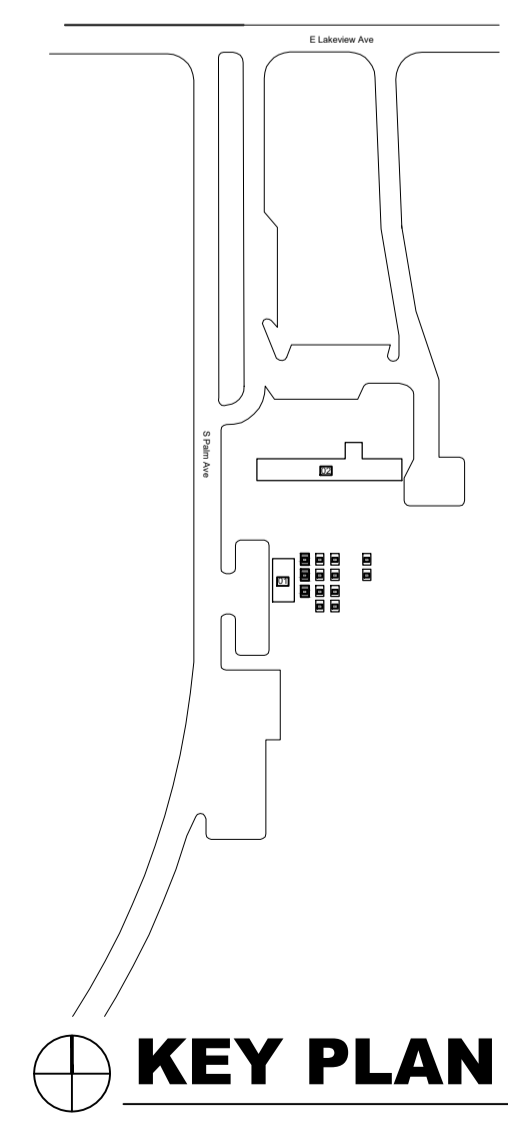
1 **F.I.S.H PLAN PORTABLE (129)**
SCALE: 3/8"=1'-0"



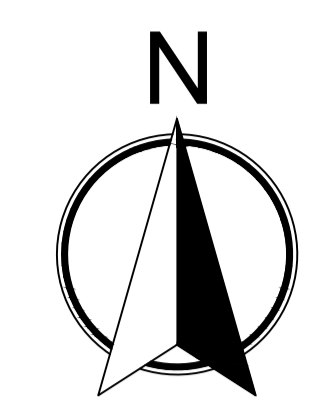
2 **F.I.S.H PLAN PORTABLE (167)**
SCALE: 3/8"=1'-0"



3 **F.I.S.H PLAN PORTABLE (256)**
SCALE: 3/8"=1'-0"



KEY PLAN



PREPARED BY:
ARCHIS
350 E. Crown Point Road, Suite 1100
Winter Garden, FL 34787
Main: 888.324.2557
Direct: 407.439.1594

Keynotes

General Notes

REV	DATE	DESCRIPTION

CV Griffin Center-Howey in the Hills
510 & 512 South Palm Avenue
Howey-in-the-Hills
FL 34737

F.I.S.H PLAN

SHEET DESCRIPTION
PORTABLES (129, 167 & 256)

SHEET NUMBER
F-8